

Parts Manual

# 100<sub>SERIES</sub>

 **Aqua-Hot**<sup>®</sup>  
An AIRXCEL Brand

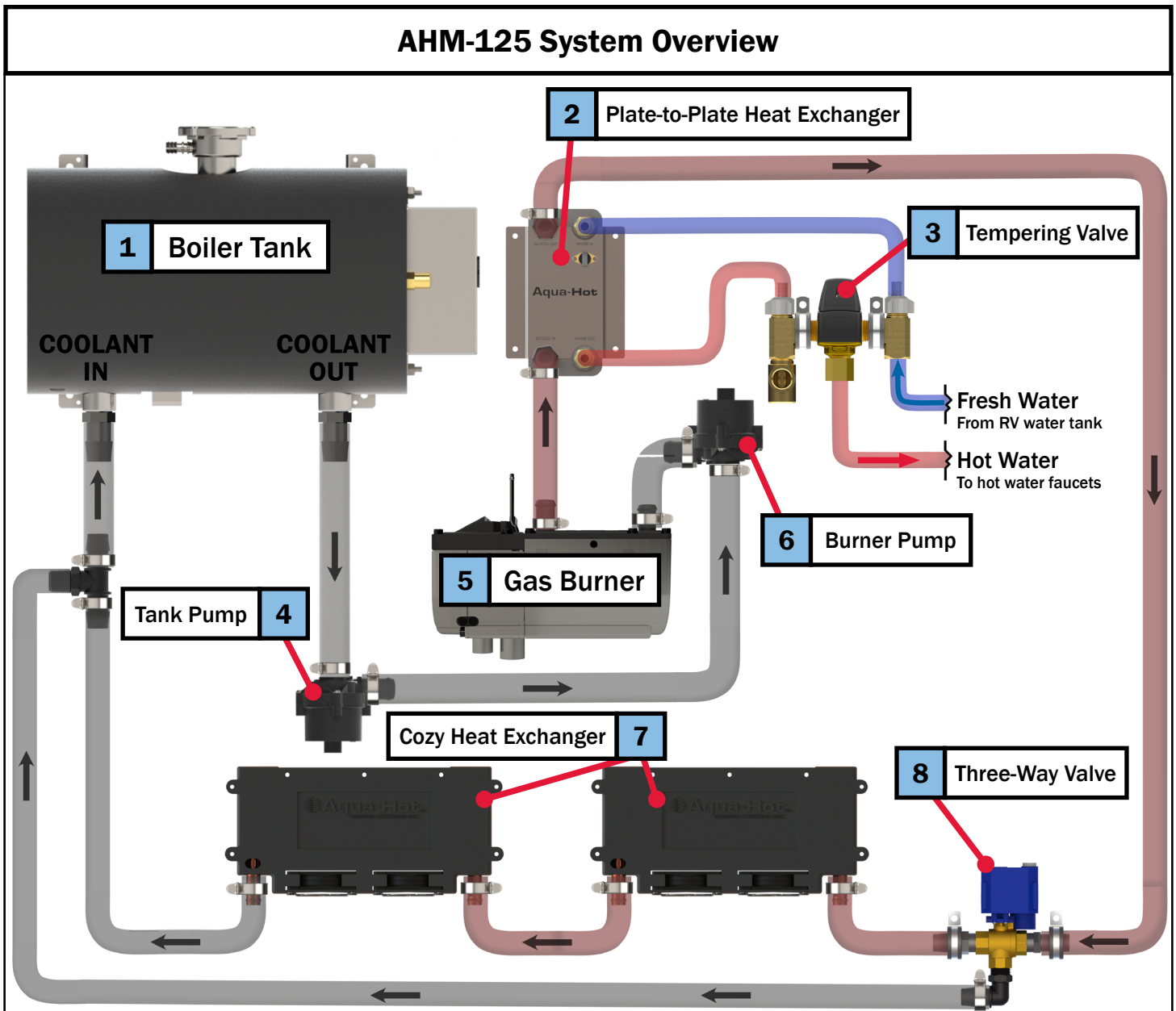
AHM-125-G02  
GASOLINE



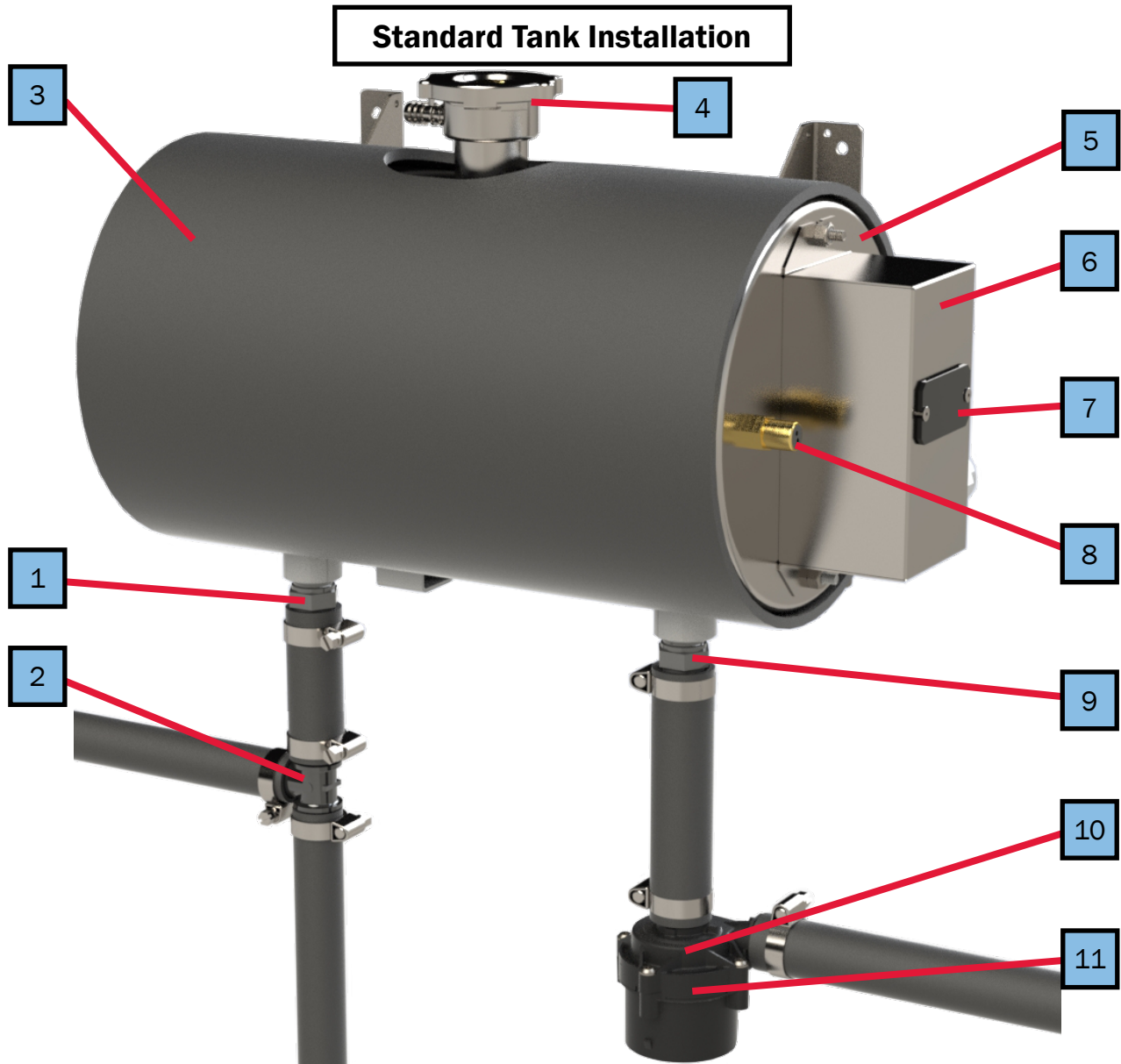
**NOTE:** Service parts and accessories are available through Aqua-Hot Factory Authorized Service Centers or [www.aquahot.com](http://www.aquahot.com). Click on the part number to route you to the Aqua-Hot webstore to purchase.



Key	Part Number	Beginning of Use	Description
1	<a href="#">ELE-LCD-050</a>	Launch	Aqua-Hot LCD Screen, Touchscreen, RVC, 3.5in
2	<a href="#">ELE-RVC-100</a>	Launch	RVC Display Cable
3	<a href="#">ELE-100-111</a>	Launch	Kit, Coach-side Controller Components
4	<a href="#">ELE-DIV-100</a>	Launch	Harness, Main DC
-	<a href="#">ELE-DIV-105</a>	Launch	Harness, Tank DC (not pictured)
-	<a href="#">ELE-DIV-110</a>	Launch	Harness, AC (not pictured)
5	<a href="#">ELE-TER-100</a>	Launch	Terminator, RV-C In-Line Mini-Clamp
6	<a href="#">ELX-700-007</a>	Launch	Room Thermostat, Positive Off
7	<a href="#">ELX-500-510</a>	Launch	Low Temperature Bay Thermostat Assembly
8	<a href="#">ELX-THM-309</a>	Launch	Thermistor, 10K NTC, Room Temperature Sensor
9	<a href="#">PLX-000-825</a>	Launch	Black Nylon Coupler Fitting 3/4"
10	<a href="#">32704372</a>	Launch	5/16" Heater Hose
11	<a href="#">PLX-000-433</a>	Launch	CONS 3/4" Heater Hose, Green Stripe
12	<a href="#">EB9X027SS(00C)</a>	Launch	Clamp, Worm Gear, 16-27mm, 300 Grade Stainless, 9mm Band
13	<a href="#">PLX-507-K13</a>	Launch	Clamp, Worm Drive, 1/2" - 3/4", Stainless
14	<a href="#">HDX-102-111</a>	Launch	Clamp, (10.5mm), Soft Hose and Tube
15	<a href="#">HDX-102-113</a>	Launch	Clamp, 3/8 to 7/16 (11.3mm), Soft Hose and Tube
16	<a href="#">MSX-907-162</a>	Launch	Antifreeze Refractometer (Tester)

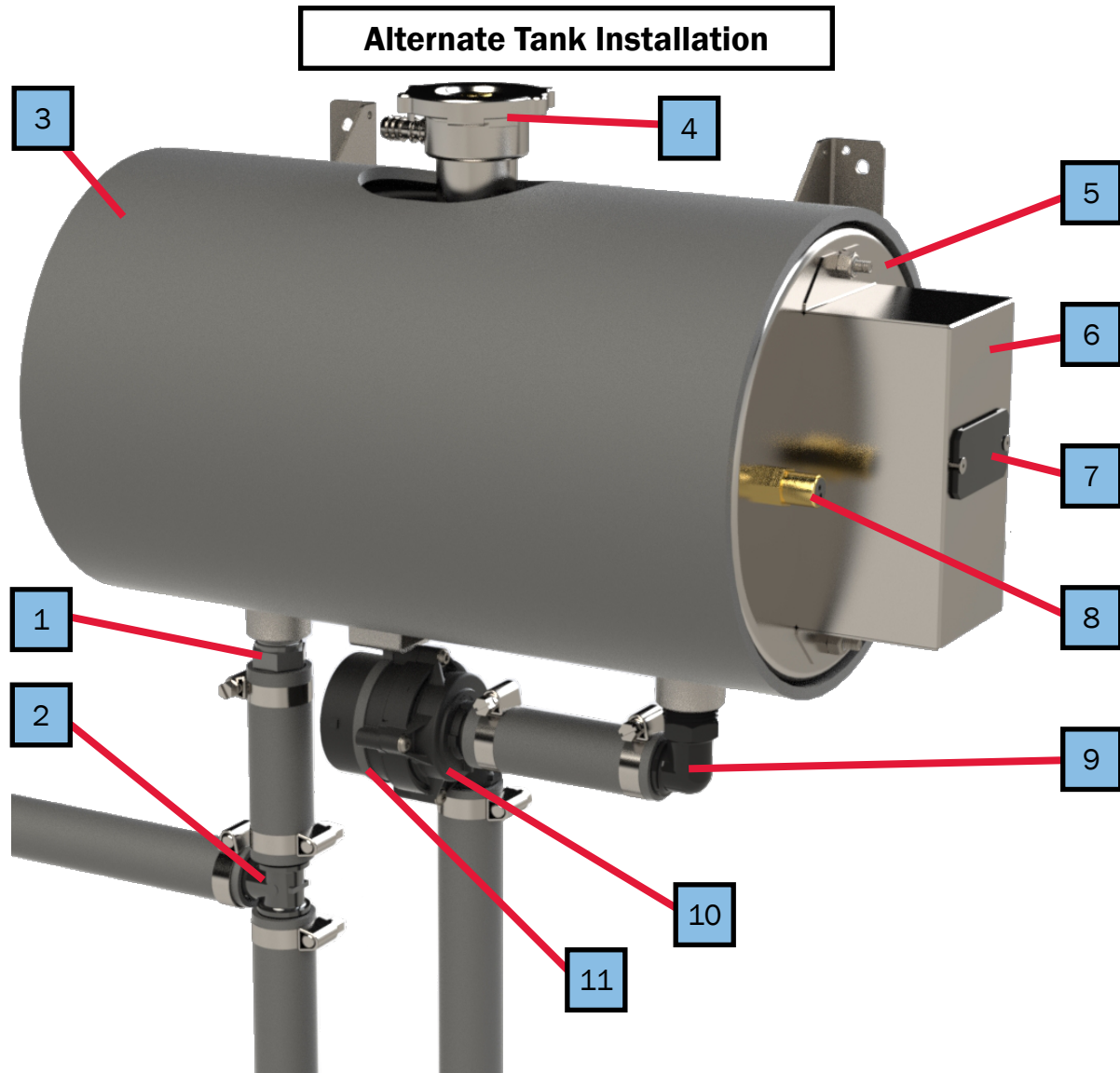


Key	Part Number	Date of Use	Description
1	<a href="#">TNE-135-011</a>	Launch	Tank, Powder Coat, 7 PSI
2	<a href="#">PLX-102-050</a>	Launch	Small Heat Exchanger, (2) ½" FNPT, (2) 2" MNPT
3	<a href="#">PLX-362-100</a>	Launch	Valve, ½" NPTM ESBE 120°F Tempering
4	<a href="#">PLX-100-900</a>	Launch	C21 Buehler Circulation Pump
5	<a href="#">GBX-125-5KW</a>	Launch	5KW Gas Burner
6	<a href="#">GBX-125-103</a>	Launch	Burner Circulation Pump
7	<a href="#">EXE-103-0EX</a>	Launch	Heat Exchanger, Cozy III
8	<a href="#">PLX-251-M01</a>	Launch	Kit, Three-Way Valve, AHM Series



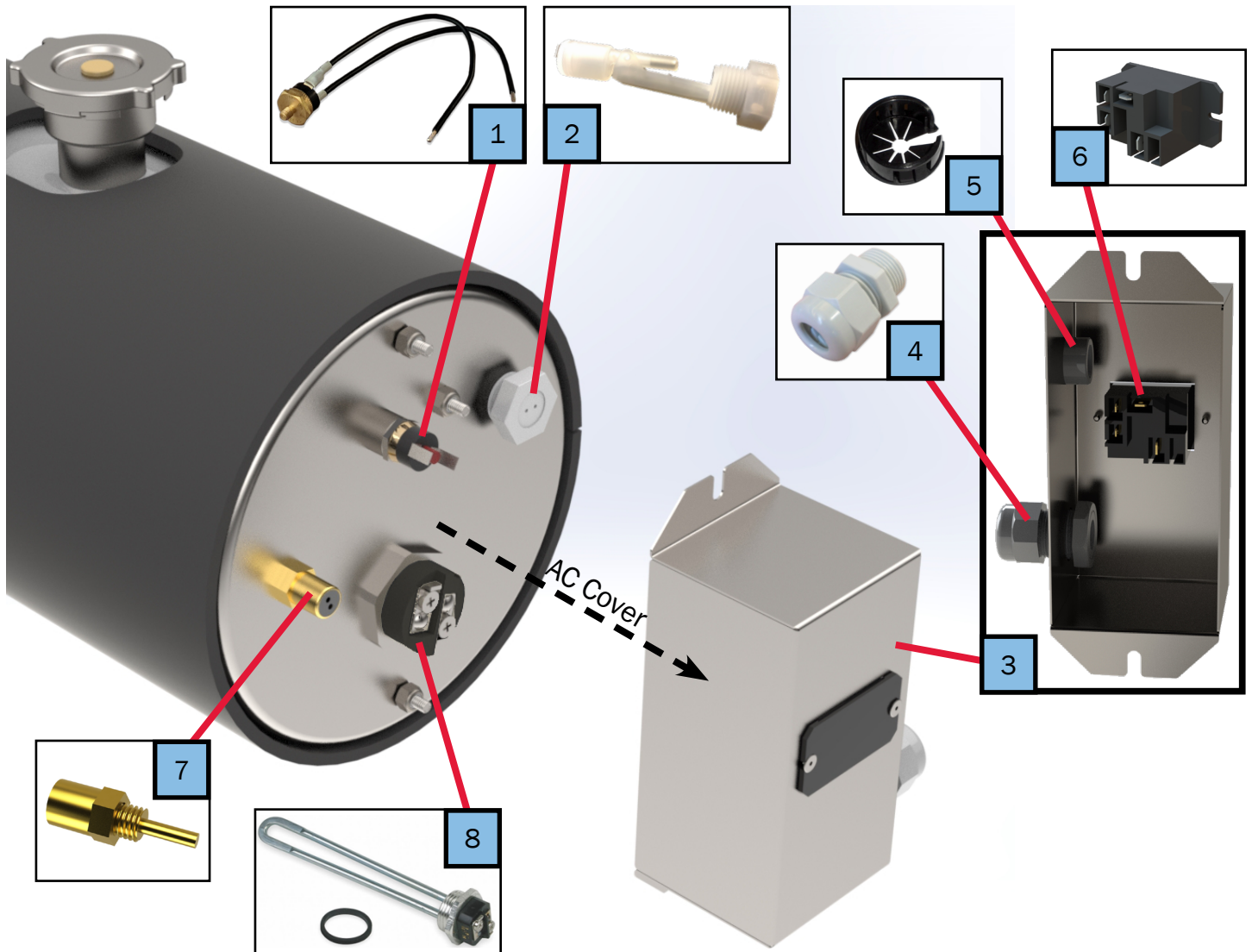
Key	Part Number	Date of Use	Description
1	<a href="#">PLX-200-103</a>	Launch	Black Nylon Barb Fitting, 1/2"
2	<a href="#">PLX-250-210</a>	Launch	Fitting, 3/4" Barb Tee, GFBN
3	<a href="#">MSE-135-200</a>	Launch	Insulation, Tank
4	<a href="#">TNX-135-020</a>	Launch	Radiator Cap, 7 PSI
5	<a href="#">TNE-135-011</a>	Launch	Tank, Powder Coat, 2gal
6	<a href="#">SME-135-002</a>	Launch	Cover, A/C
7	<a href="#">ELX-232-948</a>	Launch	Relay, 30A 277VAC
8	<a href="#">ELE-014-712</a>	Launch	Thermistor, Tank Temperature Sensor
9	<a href="#">PLX-200-103</a>	Launch	Black Nylon Barb Fitting, 1/2"
10	<a href="#">PLX-100-900</a>	Launch	C21 Buehler Circulation Pump
11	<a href="#">HDX-317-7T2</a>	Launch	Pump Mount





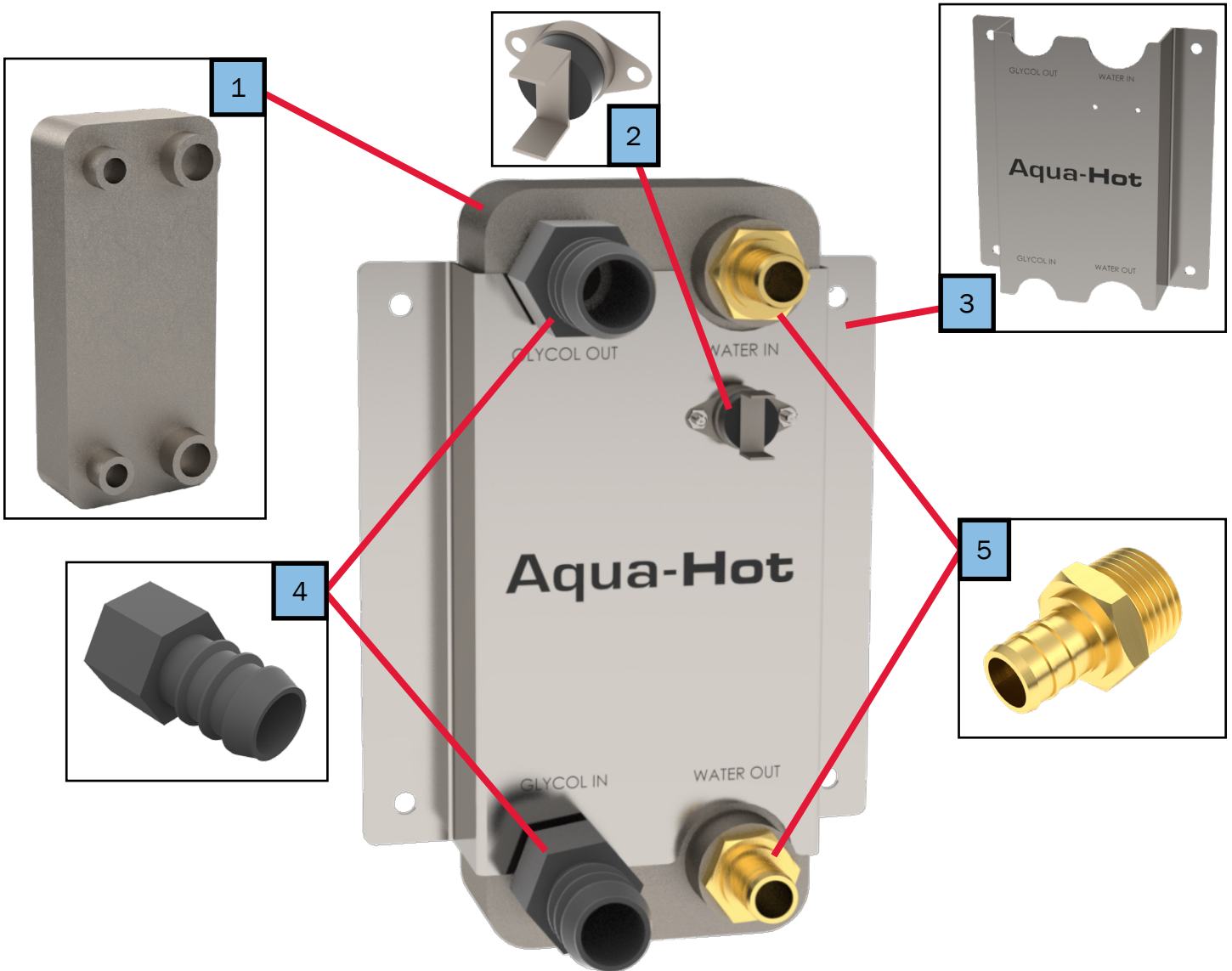
Key	Part Number	Date of Use	Description
1	<a href="#">PLX-200-103</a>	Launch	Black Nylon Barb Fitting, ½"
2	<a href="#">PLX-250-210</a>	Launch	Fitting, ¾" Barb Tee, GFBN
3	<a href="#">MSE-135-200</a>	Launch	Insulation, Tank
4	<a href="#">TNX-135-020</a>	Launch	Radiator Cap, 7 PSI
5	<a href="#">TNE-135-011</a>	Launch	Tank, Powder Coat, 2gal
6	<a href="#">SME-135-002</a>	Launch	Cover, A/C
7	<a href="#">ELX-232-948</a>	Launch	Relay, 30A 277VAC
8	<a href="#">ELE-014-712</a>	Launch	Thermistor, Tank Temperature Sensor
9	<a href="#">PLX-250-212</a>	Launch	Fitting, Elbow ½" NPT x ¾" Barb, GFBN
10	<a href="#">PLX-100-900</a>	Launch	C21 Buehler Circulation Pump
11	<a href="#">HDX-100-900</a>	Launch	Tie, 8.9" Long, Arrowhead Push Mount

# Tank Face Components

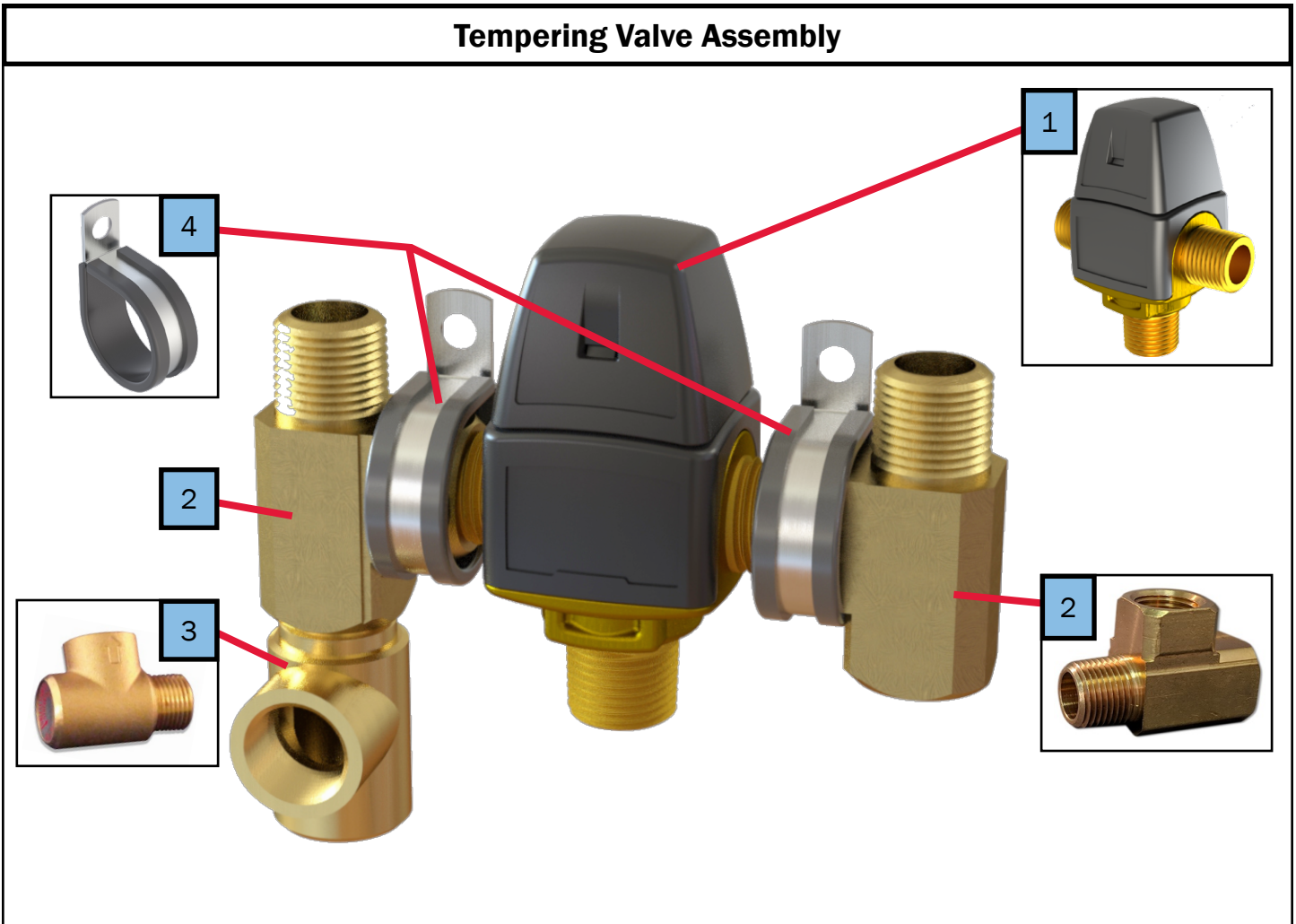


Key	Part Number	Date of Use	Description
1	<a href="#">ELE-HLT-125</a>	Launch	High-Limit 215 °F Thermostat Assembly
2	<a href="#">ELX-135-M01</a>	Launch	Kit, Float Switch, AHM, ½" NPT
3	<a href="#">SME-135-002</a>	Launch	Cover, A/C
4	<a href="#">HDX-000-623</a>	Launch	Plastic Romex Clip, ½"
5	<a href="#">ELX-000-072</a>	Launch	Snap Bushing w/ Shutters, 0.750
6	<a href="#">ELX-232-948</a>	Launch	AC Relay, 30A 277VAC
7	<a href="#">ELE-014-712</a>	Launch	Thermistor, Tank Temperature Sensor
8	<a href="#">ELX-2E7-102</a>	Launch	1500W, 120VAC Electric Element, 1" NPSM

**Plate-to-Plate Heat Exchanger Assembly**



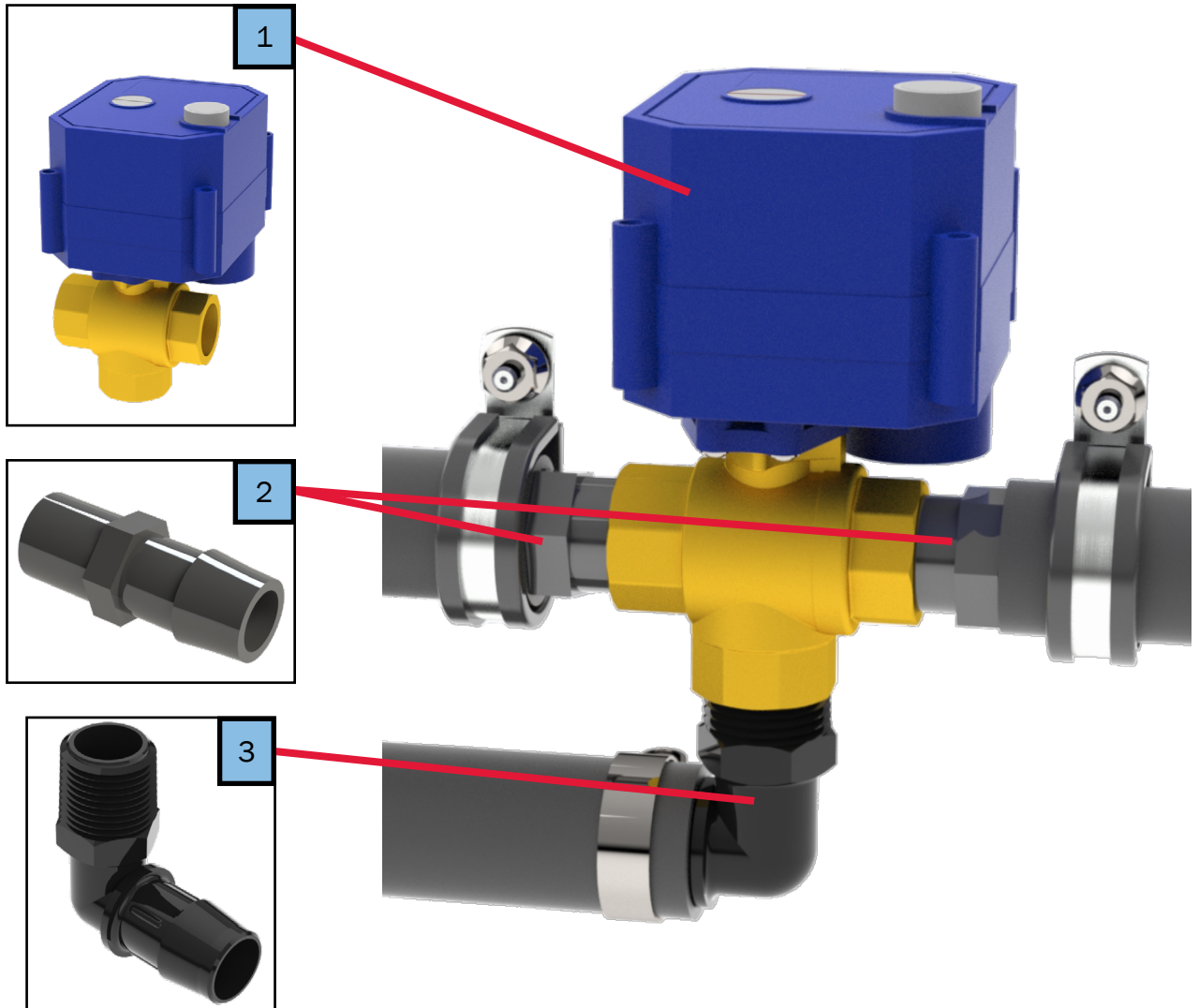
Key	Part Number	Date of Use	Description
1	<a href="#">PLX-102-050</a>	Launch	Plate-to-Plate Heat Exchanger, (2) ½" FNPT, (2) 2" MNPT
2	<a href="#">ELE-LTC-135</a>	Launch	Surface Mount Low-Temp Cutoff Thermostat
3	<a href="#">SME-135-001</a>	Launch	Plate-to-Plate Heat Exchanger Mount
4	<a href="#">PLX-18K-258</a>	Launch	Fitting, ¾" Barb x ½" FNPT, Nylon
5	<a href="#">PLX-000-600</a>	Launch	Fitting, ½" NPTM x ½" PEX Barb



Key	Part Number	Date of Use	Description
1	<a href="#">PLX-362-100</a>	Launch	Tempering Valve, ½" NPTM ESBE 120°F
2	<a href="#">PLX-0X1-07D</a>	Launch	Brass Tee Fitting, ½" NPT (M) (F)
3	<a href="#">PLX-111-125</a>	Launch	Pressure Relief Valve, 125 PSI
4	<a href="#">HDX-362-100</a>	Launch	Steel P-Clamp

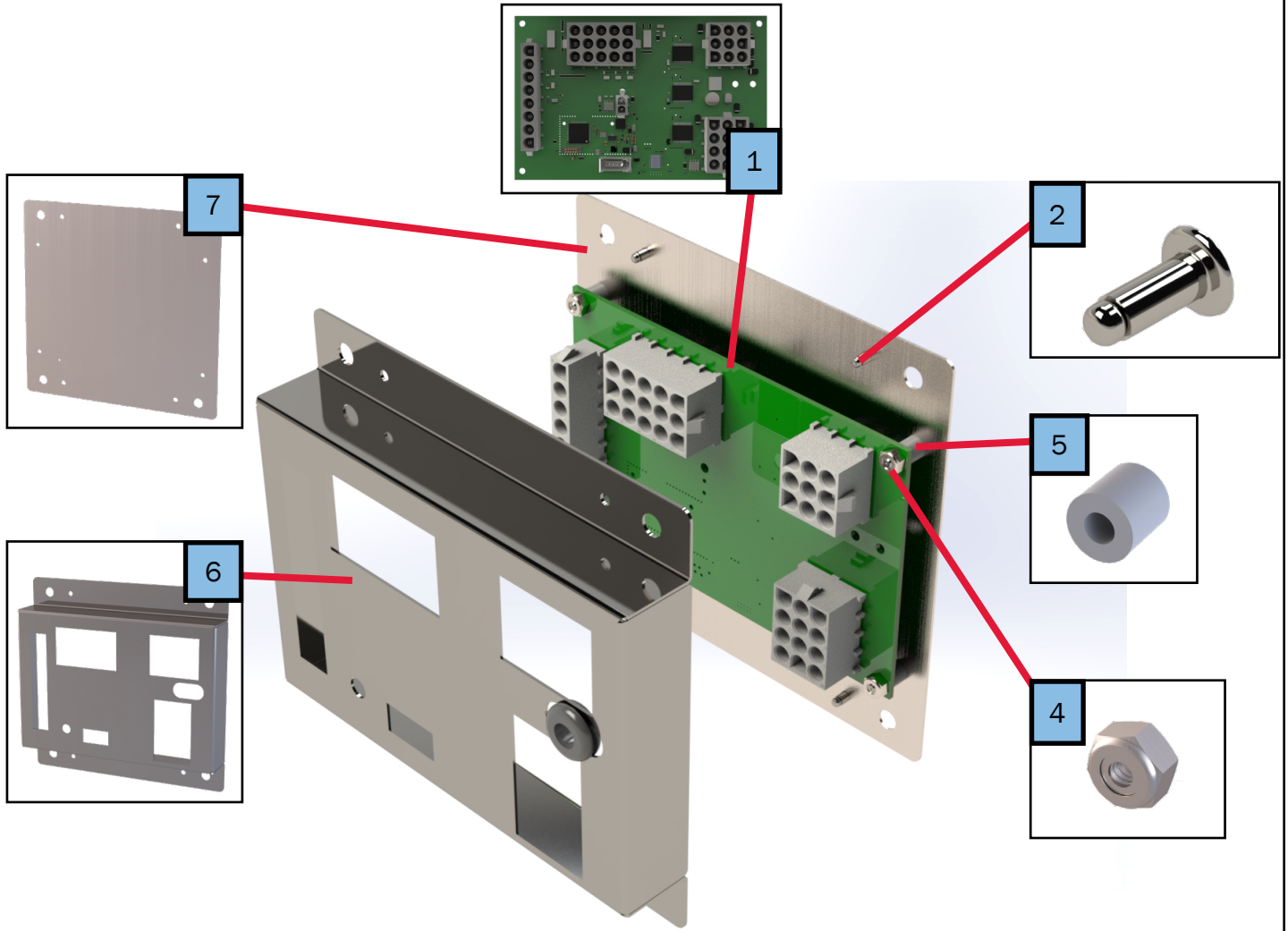


**Three-Way Valve Assembly**



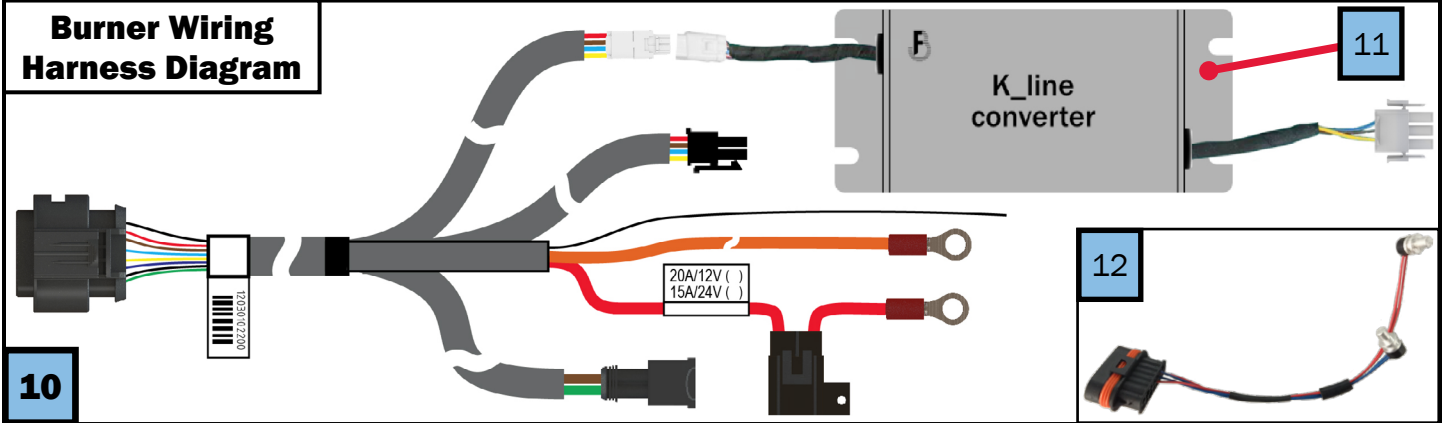
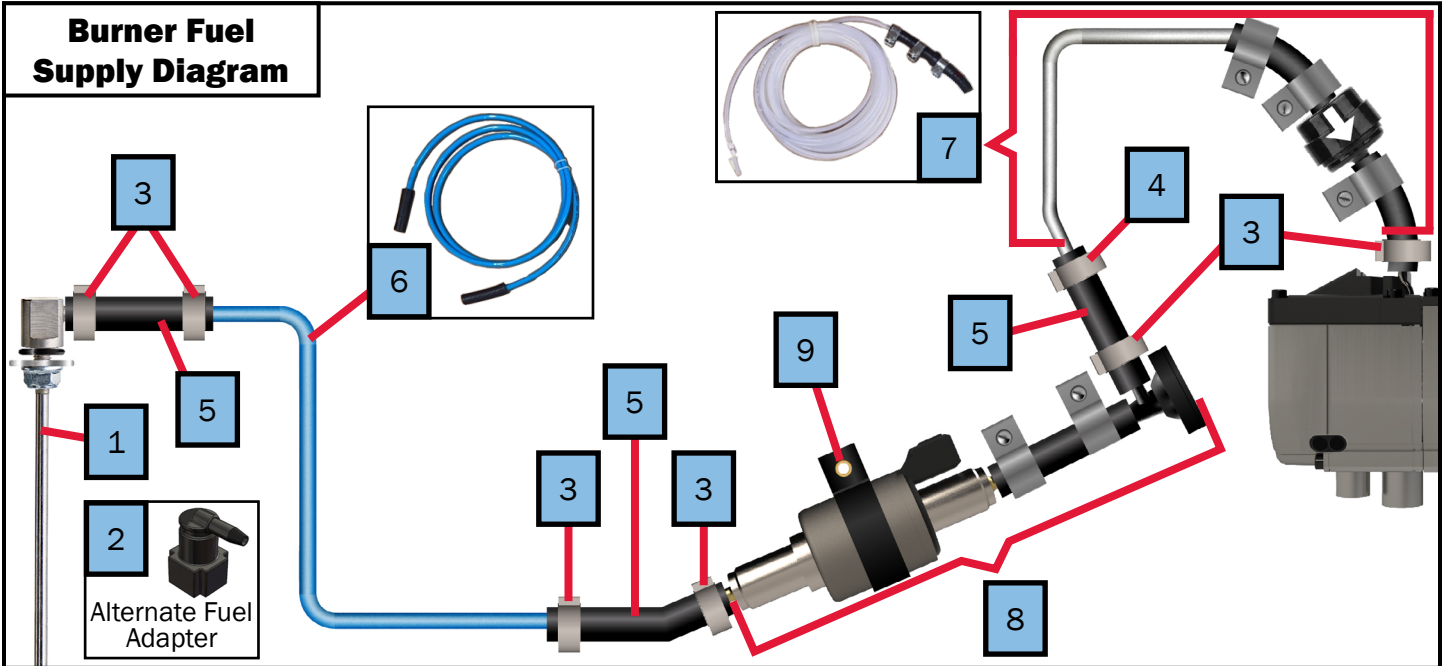
Key	Part Number	Date of Use	Description
	<a href="#">PLX-251-M01</a>	Launch	Kit, Three-Way Valve, AHM Series
1	<a href="#">PLX-251-001</a>	Launch	Valve, Three-Way, 1/2" NPT
2	<a href="#">PLX-200-103</a>	Launch	Glass Filled Black Nylon Barb Fitting, 1/2" NPT x 3/4"
3	<a href="#">PLX-250-212</a>	Launch	Fitting, Elbow 1/2" NPT x 3/4" Barb, GFBN
-	<a href="#">39-00-0039</a>	Launch	CONS Terminal, Socket 20-24 AWG Mini-Fit Jr. (not pictured)
-	<a href="#">39-01-2020</a>	Launch	CONS Plug, 20-24 AWG Mini-Fit Jr. 2-Pole (not pictured)

### Controller Assembly

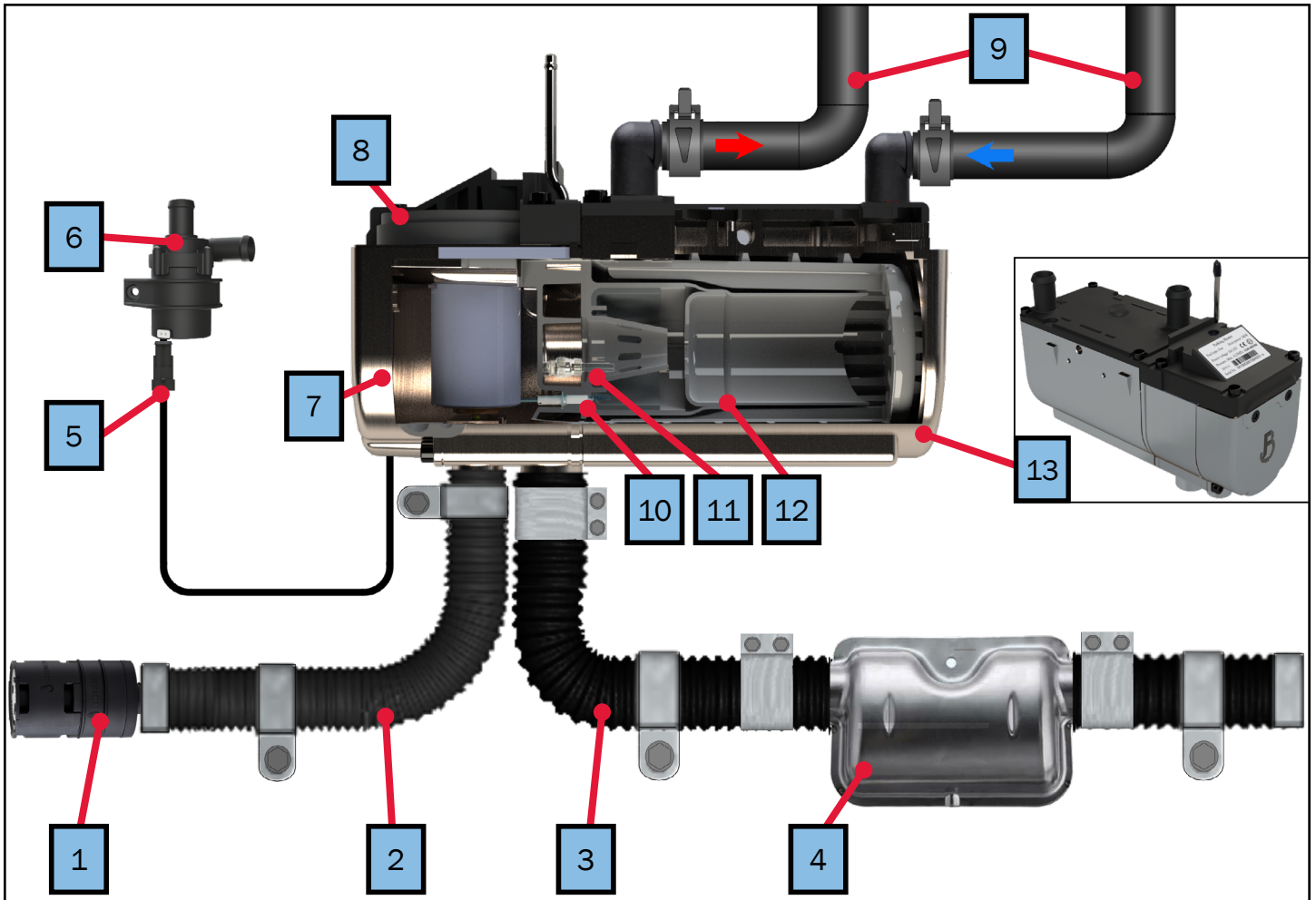


Key	Part Number	Date of Use	Description
	<a href="#">ELE-100-M01</a>	Launch	Kit, Controller, AHM
1	<a href="#">ELE-PCB-100</a>	Launch	Controller, 12VDC, 100-200 Series
2	<a href="#">41103</a>	Launch	CONS Rivet, 1/8"Ø 0.063" - 0.125" Grip Steel
3	<a href="#">90631A005</a>	Launch	CONS Fastener 4-40 Lock Nut
4	<a href="#">94639A201</a>	Launch	CONS Spacer, 4-40 Nylon 1/4"L
5	<a href="#">SME-PCB-105</a>	Launch	Flange, Control Mount
6	<a href="#">SME-PCB-106</a>	Launch	PCB Flange Backplate
7	<a href="#">PLX-960-K16</a>	Launch	Grommet, 7/16" (OD) x 9/32" (ID) x 7/16" Thick, SBR
-	<a href="#">RRR-XTE-855</a>	Launch	O3P Fan Motor CONN HSG (not pictured)
-	<a href="#">RRR-XTE-923</a>	Launch	Mate N Loc Terminal (not pictured)





Key	Part Number	Date of Use	Description
<b>Burner Fuel Supply Parts</b>			
1	<a href="#">GBX-125-116</a>	Launch	Fuel Tank Standpipe
2	<a href="#">FLX-135-012</a>	Launch	SAE 7.89 Fuel Line Adapter
3	<a href="#">HDX-102-113</a>	Launch	Clamp, 3/8 to 7/16 (11.3mm), Soft Hose and Tube
4	<a href="#">HDX-102-111</a>	Launch	Clamp, (10.5mm), Soft Hose and Tube
5	<a href="#">GBX-125-115</a>	Launch	10.5mm Coupler
6	<a href="#">GBX-125-122</a>	Launch	Fuel Hose to Fuel Tank (blue)
7	<a href="#">GBX-125-121</a>	Launch	Fuel Hose to Burner (clear) (Couplers & check valve included)
8	<a href="#">GBX-125-117</a>	Launch	Assembled Fuel Pump
9	<a href="#">GBX-125-111</a>	Launch	Fuel Pump Clip
<b>Burner Wiring Harness Parts</b>			
<b>10</b>	<a href="#">GBE-125-5KW</a>	<b>Launch</b>	<b>Burner Wiring Harness</b>
11	<a href="#">GBX-125-102</a>	Launch	Burner K_Line Converter
12	<a href="#">GBX-125-107</a>	Launch	Temp and Overheat Sensor



Key	Part Number	Date of Use	Description
1	<a href="#">GBX-125-120</a>	Launch	Air Intake Filter
2	<a href="#">GBX-125-113</a>	Launch	Air Intake Hose
3	<a href="#">GBX-125-114</a>	Launch	Exhaust Tube
4	<a href="#">GBX-125-118</a>	Launch	Gas Burner Exhaust Muffler
5	<a href="#">GBX-125-119</a>	Launch	Circulation Pump Wire Harness
6	<a href="#">GBX-125-103</a>	Launch	Circulation Pump
7	<a href="#">GBX-125-108</a>	Launch	12V Fan Motor Assembly/Controller
8	<a href="#">GBX-125-110</a>	Launch	Fan Motor
9	<a href="#">GBX-125-123</a>	Launch	Formed Heater Hose (ø 20mm)
10	<a href="#">GBX-125-106</a>	Launch	Flame Sensor
11	<a href="#">GBX-125-104</a>	Launch	Glow Plug
-	<a href="#">GBX-125-105</a>	Launch	Glow Plug Holder (not pictured)
12	<a href="#">GBX-125-109</a>	Launch	Combustion Chamber
13	<a href="#">GBX-125-5KW</a>	Launch	5KW Gasoline Burner with Harness

Parts Manual

# 100<sub>SERIES</sub>

 **Aqua-Hot**<sup>®</sup>

An AIRXCEL Brand

AHM-125-G02  
GASOLINE



Aqua-Hot Heating Systems, LLC  
7755 Miller Drive, Frederick, CO 80504

Visit us online at [www.aquahot.com](http://www.aquahot.com)  
Call us at (800) 685-4298 or (303) 651-5500

©2024 Aqua-Hot Heating Systems, LLC. Printed in the USA