



Aqua-Hot®

HYDRONIC HEATING SYSTEM

600-Series



AHE-600-D03

AHE-675-D03

SERVICE MANUAL

Table of Contents

Section 1: Introduction to the Aqua-Hot 600 Series

Introduction	Page 6-8
Danger, Warning, Caution, and Note Box Definitions.....	Page 6
Model Differentiation	Page 8

Section 2: Aqua-Hot Hydronic Heating System Overview

Technical Information.....	Page 9
I.D. Label Sample.....	Page 10
Component Overview.....	Page 11-13
Aqua-Hot Operational Flow-Chart	Page 14
Antifreeze & Water Heating solution.....	Page 15-16

Section 3: Interior Switch Panel

Diesel-Burner Switch.....	Page 17
Engine Preheat Switch.....	Page 17
Electric Element Switch.....	Page 17
High/Low Switch (Electric Element).....	Page 18
Pin Label	Page 19-20

Section 4: Exhaust System Requirements

Exhaust System Requirements	Page 21
-----------------------------------	---------

Section 5: Aqua-Hot 600-Series Components

Interlock Switch	Page 22
Fluid Level Sensor	Page 23-24
Control Thermostat.....	Page 24-25
A.C. High Limit Thermostat (Right).....	Page 26
A.C. High Limit Thermostat (Left).....	Page 27
D.C. High Limit Thermostat	Page 28-29
Check Valves	Page 29-30
Tempering Valve	Page 31-32
Circulation Pumps 1, 2, & 3.....	Page 33-34
Engine Pre-Heat Pump	Page 35-36
Electric Heating Element (Right)	Page 37-38
Electric Heating Element (Left).....	Page 39-41
A.C. Relay (Right)	Page 42
A.C. Relay (Left).....	Page 43-44

Section 6: Electronic Controller

General Facts.....	Page 45
Secondary 12 Volt DC battery Connection.....	Page 46
Terminal Strips with Screw-Type Fasteners.....	Page 46
Low Voltage Reset Feature.....	Page 47
Replacement Procedure.....	Page 48
Proper Jumper Pin Formation.....	Page 48

Section 7: Electronic Controller Indicator Lights

Electric Heating Element Status Indicator Light.....	Page 49
Heating Zones Status Indicator Lights 1-5.....	Page 49
Low Battery Voltage Fault Indicator Light.....	Page 49
Low Temp Cutoff Status Indicator Light.....	Page 49
Low Tank-Level Cutoff Indicator Light.....	Page 49
Heating Status Indicator Light.....	Page 49
Engine Preheat Pump Indicator Light.....	Page 50
[Circulation] Pump #1 Indicator Light.....	Page 50
[Circulation] Pump #2 Indicator Light.....	Page 50
[Circulation] Pump #3 Indicator Light.....	Page 50
Diesel-Burner Status Indicator Light.....	Page 50-51
Overload Fault Indicator Light.....	Page 51

Section 8: Diesel-Burner

Overview.....	Page 52
I.D. Plate.....	Page 52
Diesel-Burner Overview.....	Page 53
Diesel-Burner Operational Flow Chart.....	Page 54
Diesel-Burner Operational Overview.....	Page 55-57

Section 9: Detaching and Reattaching the Diesel-Burner

Detaching the Diesel-Burner.....	Page 58-60
Reattaching the Diesel-Burner.....	Page 61-63

Section 10: Diesel-Burner Components and Repair Information

Diesel-Burner Component Overview.....	Page 64
Motor.....	Page 65-68
Flame Sensor.....	Page 69-70
Ignition Electrodes.....	Page 71-72
Fuel Nozzle.....	Page 72-73
Fuel Solenoid.....	Page 74

Section 10: Diesel-Burner Components and Repair Information (continued)

Fuel Pump	Page 75-77
Bearings	Page 78-80
Ignition Coil	Page 81-82
Controller.....	Page 83-84

Section 11: Troubleshooting

If the Aqua-Hot is Black Smoking	Page 85
If the Aqua-Hot is Blue/White Smoking	Page 86
If one of the Aqua-Hot's Heating Zones will not get hot.....	Page 87
If there is a lack of domestic continuous hot water	Page 87-88
If there is antifreeze leaking	Page 88

Appendix A: Wiring Diagram	Page 89-94
---	-------------------

Appendix B: Wire Gauge Chart.....	Page 95-96
--	-------------------

Appendix C: Fuel Pressure check and Adjustment	Page 97-102
---	--------------------

Appendix D: Extreme Cold Weather Operation	Page 103-104
---	---------------------

Appendix E: Aqua-Hot Annual Maintenance	Page 105-118
--	---------------------

Appendix F: Winterization	Page 119
--	-----------------

SECTION 1: INTRODUCTION TO THE AQUA-HOT 600 SERIES

This service and parts manual is designed to aid trained and qualified service technicians with the process of troubleshooting and servicing the Aqua-Hot 600 series Hydronic heating system.

The Aqua-Hot 600 heating system features a 12 Volt-DC powered diesel-burner and two AC powered electric heating element. These two heating sources are used in conjunction with an FDA-approved “GRAS” (Generally Recognized as Safe) propylene glycol based boiler antifreeze and water heating solution in order to provide a continuous supply of domestic hot water, interior/fresh water tank heating, independent interior zone heating, and engine preheating. Be sure to reference Figures 3 through 5 for a complete component overview.

Please note that all Danger, Warning, Caution, and Note boxes, appearing as needed throughout this manual, must be reviewed and adhered to during any service procedure in order to avoid potential hazards, which could result in injury, product damage, or property damage.

Should additional assistance be needed, please contact the technical support department at 1-800-685-4298, Monday through Friday, between the hours of 7:00 AM and 4:00 PM Mountain Standard Time.

Danger, Warning, Caution, and Note Boxes:

Danger, Warning, Caution, and Note boxes appear throughout this manual as a means of alerting the service technician to important information.

⚠ DANGER! ⚠

INDICATES THAT PERSONAL INJURY IS LIKELY OR IMMINENT.

WARNING!

Indicates that serious damage to the heater will occur and personal injury is possible as well.

CAUTION:

Indicates that damage to the heater is possible.

NOTE: Indicates information that requires special attention by the service technician

Understanding the Aqua-Hot 600’s Major Systems:

The basis for the Aqua-Hot heating system’s functionality is the antifreeze and water heating solution, which is comprised of water that is distilled, de-ionized, or soft, as well as FDA-approved “GRAS” propylene glycol based boiler antifreeze. Through this solution’s ability to maintain and transfer heat, the Aqua-Hot’s three major systems: the domestic water system, engine preheat system, and interior heating system, are able to function effectively. This antifreeze and water heating solution is contained within the Aqua-Hot’s boiler tank and is heated by the diesel-burner when its operating criteria are met and/or the electric heating element when its operating criteria are met. In order for the diesel-burner to be considered as a heating source by the Aqua-Hot, it must have an adequate fuel supply, receive power from the electronic controller, and be selected as a heating source from the interior switch panel. In order for the electric heating element to be considered as a heating source by the Aqua-Hot, it must receive power from either a generator or from shore power and be selected as a heating source from the interior switch panel. Once the antifreeze and water heating solution achieves operating temperature (as determined by the Aqua-Hot’s control thermostat), the domestic water system, the engine preheat system, and the interior heating system are permitted to operate as needed.

Domestic Hot Water System:

When hot water is requested, domestic water from the motor home’s fresh water tank is transported through a copper coil in the Aqua-Hot’s boiler tank where heat is transferred from the heated antifreeze and water heating solution to the domestic water flowing through the copper coil. The heated domestic water then flows through the tempering valve to be mixed with cool water from the fresh water tank to achieve an appropriate temperature before it flows to the faucet requesting hot water.

Engine Preheat System:

The engine preheat system is responsible for heating the motor home’s engine block in order to make it easier to start-up when cool weather conditions exist.

SECTION 1: INTRODUCTION TO THE AQUA-HOT 600 SERIES

When the engine preheat system is activated via the interior switch panel, the motor home's engine coolant is circulated through a dedicated copper coil in the Aqua-Hot's boiler tank, where heat from the antifreeze and water heating solution is transferred to the motor home's engine coolant. The heated engine coolant is then transported back to the engine where it transfers the heat to the engine to gradually warm it.

Additionally, the Aqua-Hot 600 includes a Motor aide feature, which uses the circulation of the motor home's engine to transport the engine's coolant from the Aqua-Hot's boiler tank to the motor home's warm engine and back to the boiler tank. Through this process, the boiler tank is kept heated, which reduces the time required to bring the tank to operating temperature for interior heat and continuous domestic hot water. This Motor aide feature is part of the engine preheating feature and plumbing system, and requires no action on the user's behalf to function.

Interior Heating System:

The interior heating system is responsible for providing heat to the motor home's interior in order to maintain the temperature at a comfortable level.

For interior heating, it is the room thermostats that trigger the Aqua-Hot's interior heating system. When a thermostat recognizes that heat is required in a particular area, it sends a signal to the Aqua-Hot's electronic controller calling for heat. The Aqua-Hot responds by activating the circulation pump for that zone, which sends the heated antifreeze and water heating solution through the Heating Loop corresponding to the zone requesting heat. The fans on the heat exchangers in the zone calling for heat are also activated; therefore, as the heated solution flows over the heat exchanger's fins, the heat is transferred to those fins and dispersed into the interior of the motor home by the fans. Until the thermostat signals that heat is no longer required, the Aqua-Hot will continue to send the heated antifreeze and water solution through the loop, which returns the cooled solution to the Aqua-Hot's boiler tank to be re-heated before being sent back through the loop again. This process continues until the pre-set temperature of the interior is reached, and the interior room thermostat signals the electronic controller that heat is no longer required.

AC Circuit:

Although the diesel-burner is the primary heating source for the Aqua-Hot and is necessary for providing continuous domestic hot water, an alternate heat source exists for moderate temperatures, which functions with an AC circuit. Whenever the motor home is connected to an AC power source - plugged into shore power or using a generator, the Aqua-Hot's electric heating elements (2) have the ability to function in order to provide heat for the boiler tank.

When the antifreeze and water heating solution falls below operating temperature (as determined by the control thermostat), a signal is sent to the electronic controller requesting heat. Because the electric element switch is activated on the interior switch panel, the DC power from the electronic controller is permitted to flow to the AC relay, which activates the relay in order to allow AC power to flow to the electric heating element. When the electric heating element receives power, it becomes active and supplies heat to the boiler tank until operating temperature is reached.

NOTE: The Aqua-hot 600D is equipped with 2 - 2000 watt 120 Volt A.C. electric heating elements. The Aqua-Hot 675D is equipped with 1 - 2000 watt 120 Volt A.C. Electric element along with 1 - 4500 watt 240 Volt A.C. electric heating element. To operate both electric elements simultaneously, the motor home must be plugged into a 50 amp circuit. Therefore, when there is less than 50 amp service provided, there is a Hi/Low switch where only one electric element can be activated by switching the switch to low.

Aqua-Hot Model Differentiation (600 series)

Aqua-Hot Heating Systems, Inc. Manufactures two individual models of the Aqua-Hot 600 series Hydronic Heating Systems. The varying factor between these two models is the output of the Electric Heating Elements featured. In order to determine which of the following Aqua-Hot models has been employed, locate the Marking Plate on the Heating System (reference Figure 2 For Marking Plate information) and view the Model number.

AHE-600-D03:

This model features two 120Volt A.C./2000 Watt Electric Heating Elements.

NOTE: Reference “Appendix A” for Wiring Diagram

AHE-675-D03:

This model features a single 120 Volt A.C./2000 Watt Electric Heating Element and one 240 Volt A.C./4500 Watt Electric Heating Element.

NOTE: Reference “Appendix A” for Wiring Diagram

Figure 1



Diesel Burner, Heat Input (Firing Rate).....	56,000 BTU/hr
Diesel Burner, Fuel Consumption (Continuous Operation)	0.40 gal/hr
Heater, Voltage/Maximum Power Consumption	12 Volt-DC/60 watts
Electric Heating Element specifications 600.....	(2) 120 Volt-AC/2000 watts
Electric Heating Element specifications 675.....	(1) 120 Volt-AC/2000 watts & (1) 240 Volt-AC/4500 watts
Zone Heat Circulation Pump specifications.....	(3) 12 Volt-DC/21 watts each
Number of Heating Zones	Maximum of 5, plus Engine Preheat
Domestic Water Heating Capacity	Continuous/On-Demand
Dimensions.....	18.5”H x 18.5”W x 36.75”L
Dry Weight	approximately 186 lbs.
Wet Weight.....	approximately 303 lbs.

NOTE: All vehicle installations must comply with the requirements listed in the Recreational Vehicle Industry Association’s (RVIA) ANSI/NFPA 1192 Handbook for Recreational Vehicle Standards. To receive a copy of this handbook and other pertinent RVIA Standards, write to: Recreation Vehicle Industry Association, 1896 Preston White Drive, P.O. Box 2999, Reston, VA 22090-0999, call them at (703) 620-6003, or visit them online at www.rvia.org.

SECTION 2: AQUA-HOT 600 SERIES OVERVIEW

Each Aqua-Hot heating system possesses an I.D. label on the unit itself. This I.D. label details the specifications of the

heater, to what standard it has been tested, and important safety notices.

Figure 2



For installation only in a compartment that is completely closed off from living quarters and accessible only from the outdoors.

The Exhaust System **MUST NOT** terminate beneath the vehicle or under an openable window or vent.

Combustion Air **MUST BE** supplied from outside the vehicle.

CAUTION: THIS APPLIANCE OPERATES ON BOTH AC AND DC POWER.

USE COPPER CONDUCTORS ONLY!

Use a 25 -Amp fuse for over-current protection for the DC power supply.

Use a circuit breaker that cuts power at 20-Amps maximum for over-current protection for the 120-VAC power supply.

Mount the Heater near a bay/storage door so that the Access Cover can be easily removed for service.

WARNING: DO NOT OPERATE APPLIANCE WITH ACCESS COVERS REMOVED.

Minimum Heater Clearances:

- Front - Open Access
- Back - 1 inch
- Top - 3 inches
- Sides - 3 inches

Install in strict compliance with local codes, NFPA 1192, and the manufacturer's instructions.



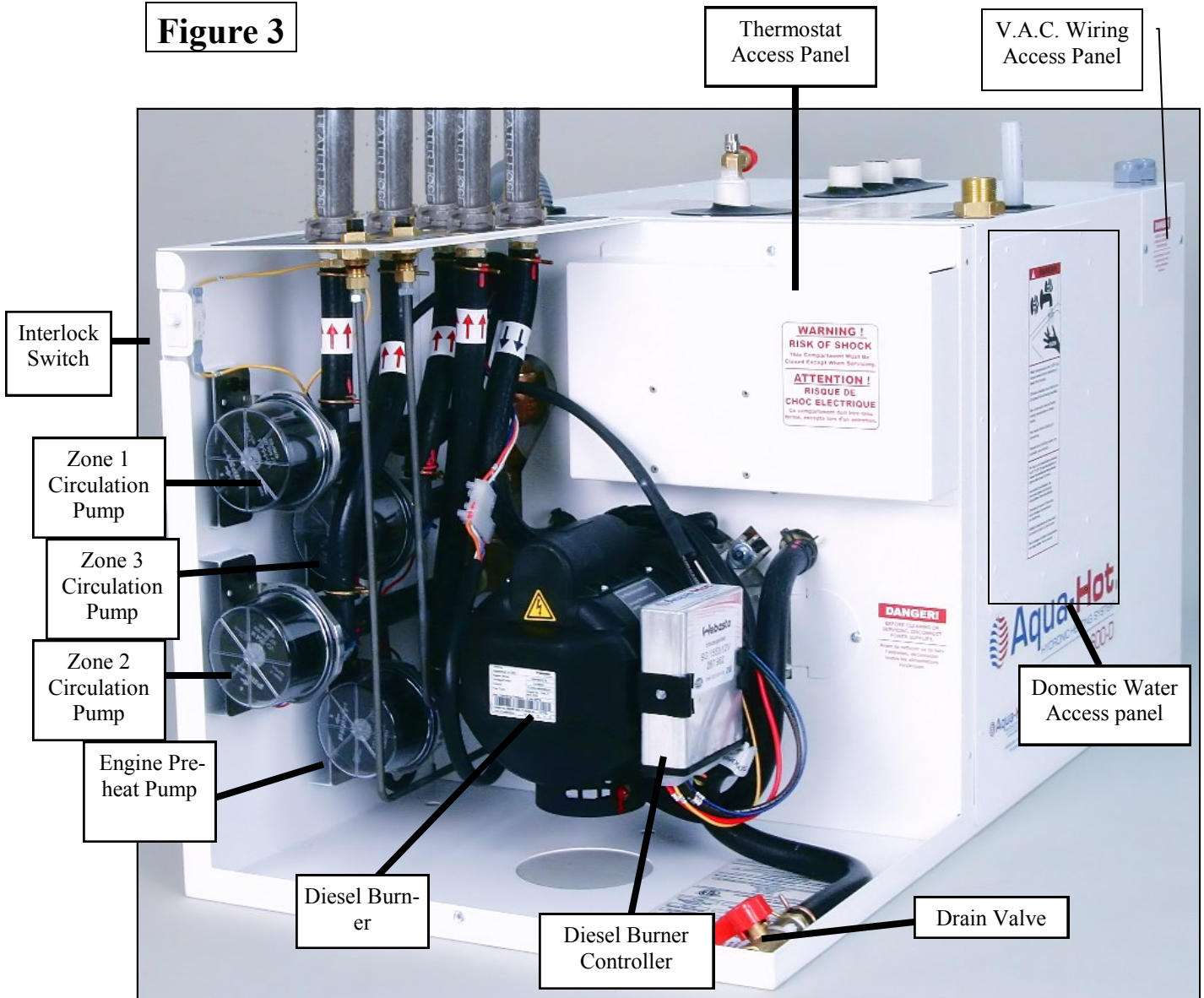
Certified for use in a Recreational Vehicle ONLY!

Direct Vent Appliance

0 PSI	184	(2) 2000
Maximum Tank Pressure	Watts (DC)	Watts (AC)
.35 / 60	12 VDC	120 VAC, 60 Hz
Nozzle Size/Angle	Volts	Volts
56,000 BTU / 16.4 kWh	145 PSI / 10.0 bar	
Input Firing Rate	Pump Pressure	
WEBASTO		DIESEL
Diesel-Burner Model Number	Diesel-Burner Serial Number	Fuel Type
AHE-600		
Model Number	Serial Number	Manufactured Date

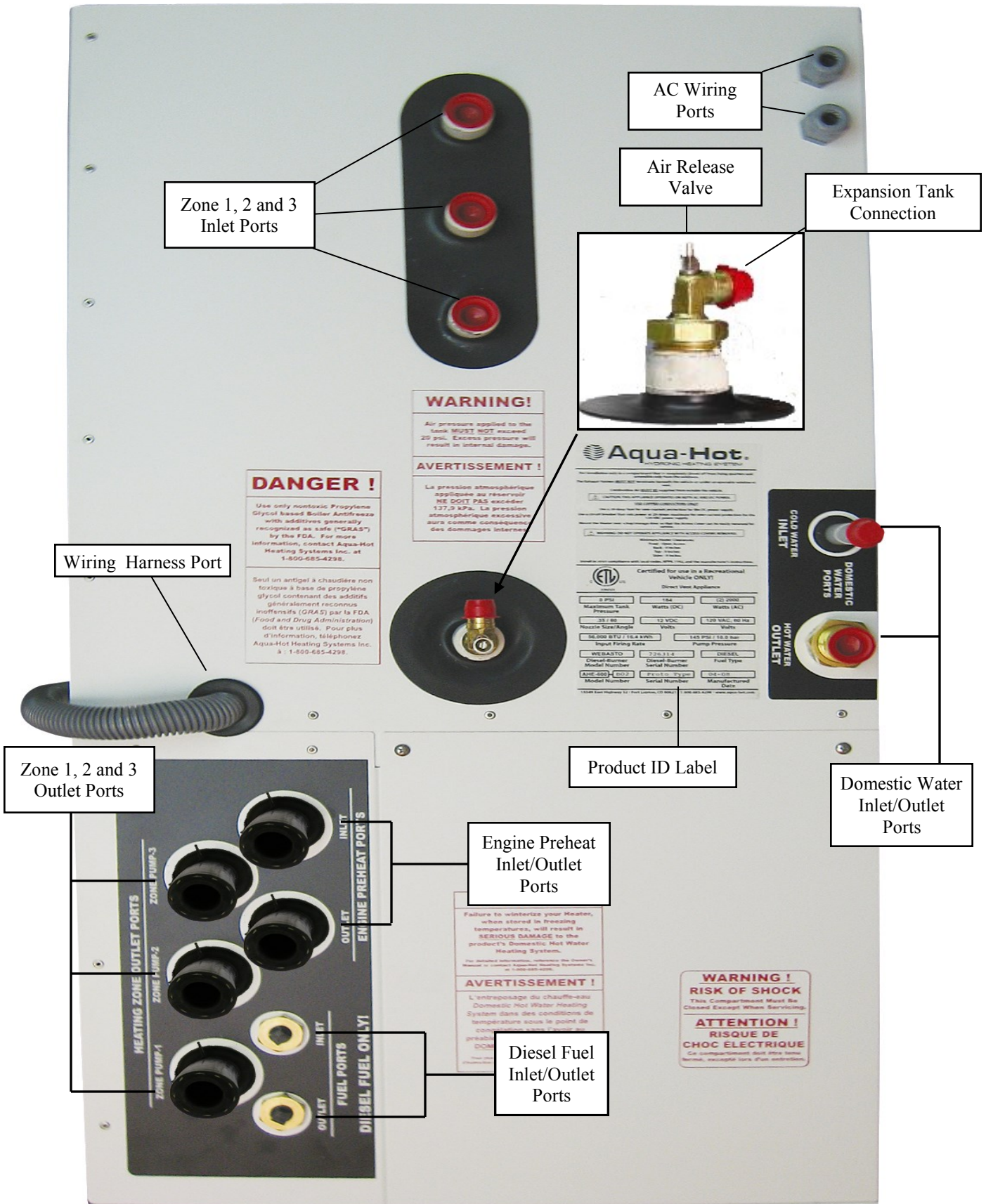
15549 East Highway 52 • Fort Lupton, CO 80621 • 1.800.685.4298 • www.aqua-hot.com

Figure 3



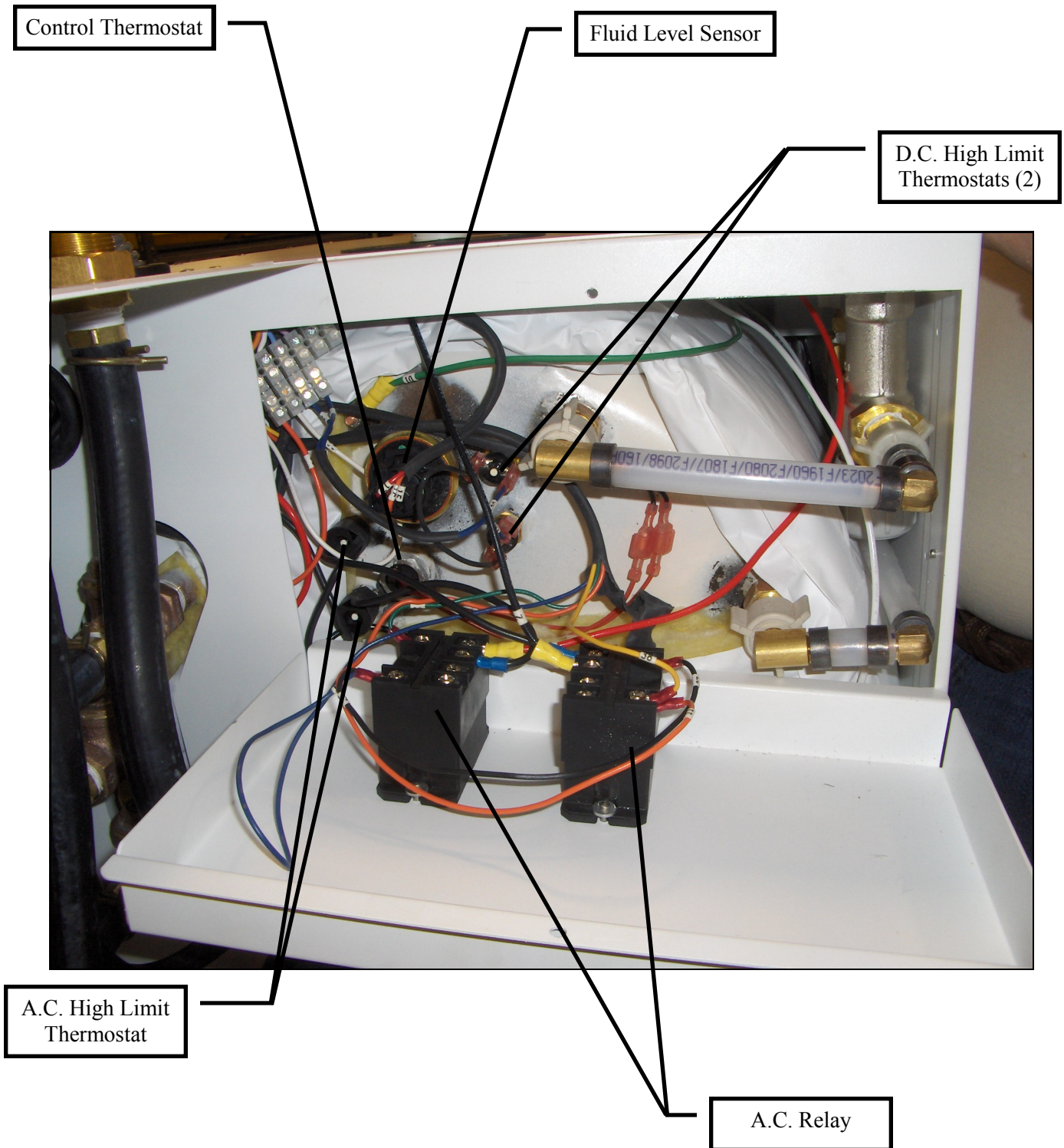
SECTION 2: AQUA-HOT 600 SERIES OVERVIEW

Figure 4



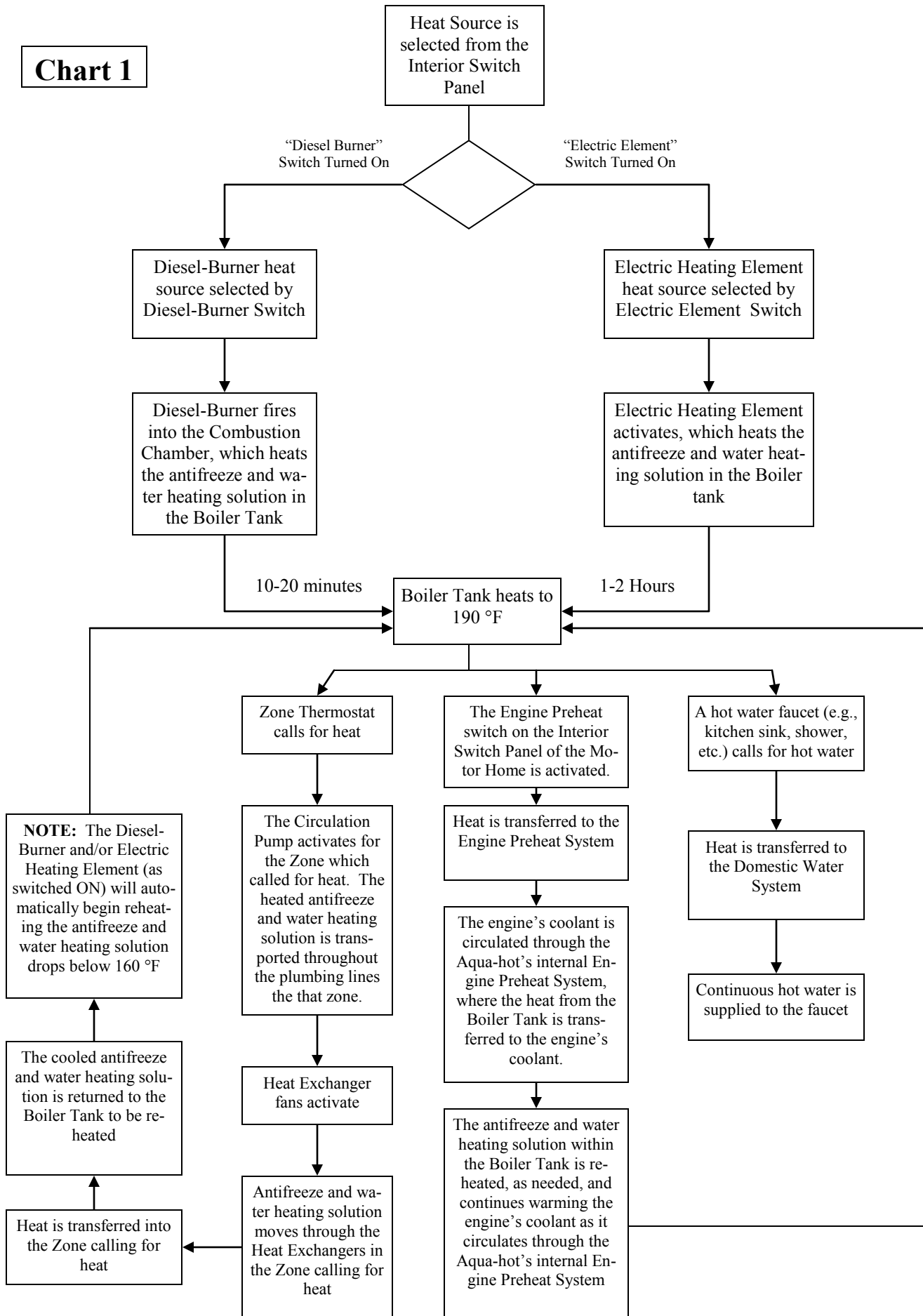
Thermostat Access Panel

Figure 5



SECTION 2: AQUA-HOT 600 SERIES OVERVIEW

Chart 1



Antifreeze and Water Heating Solution:

As the antifreeze type and mixture ratio is essential to the Aqua-Hot's performance and ability to comply with regulations, the following information is being supplied to understand various types of antifreeze, the quality of water necessary, and the mixture ratio. Aqua-Hot Heating Systems Inc. recommends CAMCO's Boiler Antifreeze -100°.

Antifreeze Types:

The following information addresses the necessary usage of a propylene glycol based "boiler" type antifreeze in the Aqua-Hot. Propylene glycol is a safer alternative to the more toxic ethylene glycol antifreeze; however, as mandated by IAPMO (International Association of Plumbing and Mechanical Officials), only those propylene glycol based "boiler" type antifreezes deemed "Generally Recognized as Safe" (GRAS) by the FDA should be utilized.

Because of the significant impact various types of antifreeze can have on a Hydronic heating system, including the level of safety provided, it has been recognized that there is a need to provide an explanation regarding two additional prominent types of antifreeze/coolant available. The following information should be utilized as an educational means of ensuring that the proper type of propylene glycol based antifreeze is selected:

RV & Marine Antifreeze:

These types of propylene glycol based antifreeze products are formulated specifically for "winterizing" applications only. Although RV & Marine antifreeze is often "Generally Recognized as Safe" by the FDA, it should never be used in the Aqua-Hot's Hydronic Heating System. This type of antifreeze is not formulated to transfer heat, which is essential to the heating system's functionality and does not contain rust inhibitors. Please note, however, that RV & Marine antifreeze can be utilized to winterize the Aqua-Hot's domestic water heating system.

Automotive Antifreeze/Coolant:

These types of propylene glycol based antifreeze products are formulated specifically to protect automotive engines against corrosion, freezing temperatures, and overheating. They also have excellent heat transfer and thermal conduc-

tivity characteristics. Although these types of antifreeze products are considered less toxic and safer than ethylene glycol for people, pets, and the environment, they are not "Generally Recognized as Safe" (GRAS) rated by the FDA. Therefore, they must be marked with a "harmful if swallowed" warning. This additional warning is required because these types of antifreeze products contain high levels of chemical inhibitors. Due to their potentially hazardous properties, they should never be used in the Aqua-Hot's Hydronic Heating System.

Antifreeze Mixture Water Quality:

In order to ensure maximum performance and longevity of an Aqua-Hot heating system's boiler tank and associated components, it has been determined that there is a need to use distilled, de-ionized, or soft water in combination with concentrated propylene glycol for the Aqua-Hot's antifreeze and water heating solution. Please note that this is only necessary when mixing concentrated propylene glycol antifreeze with water; suppliers of pre-mixed antifreeze are responsible for the use of high-quality (distilled, de-ionized, or soft) water when preparing their antifreeze for sale.

Hard water possesses a high-level of calcium and magnesium ions, which deplete the propylene glycol antifreeze's corrosion inhibitors. This, in turn, causes the antifreeze and water heating solution to begin turning acidic, which can corrode the Aqua-Hot's boiler tank and associated components prematurely. Therefore, concentrated propylene glycol should be diluted with distilled, de-ionized, or soft water that is 80 PPM or less in total hardness. The local water agency should have up-to-date water quality reports that should indicate if the local tap water is within this guideline.

Antifreeze Terms and Mixture Ratio:

The following information addresses the process of selecting an antifreeze and water mixture ratio that provides adequate freeze, boiling, and rust/anti-corrosive protection. A 50/50 mixture ratio is recommended, which will result in a freeze point of approximately -28°F and a boil point of approximately 222°F.

The following information should be utilized for the purpose of clarifying some terms commonly associated with antifreeze.

Freeze Point and Burst Point:

Antifreeze lowers the freezing point of any liquid, to which it has been added, by preventing the formation of ice crystals; however, as the ambient temperature continues to decline, the water in the solution will attempt to attain a solid state. The point in which the water begins to solidify is termed the “Freeze Point.” Although the water in the solution has begun to freeze, producing a “slushy” consistency, the antifreeze in the solution will continue to combat the normal expansion of the solution as it freezes. The point in which the solution can begin to expand, due to colder temperatures, is called the “burst point.” Once the solution reaches the burst point, the potential is present for ruptured pipes to exist. The burst point of the antifreeze and water heating solution is dependent upon the brand of propylene glycol employed.

Boiling Point:

The Aqua-Hot utilizes the antifreeze and water heating solution as a transportation means for the heat produced from the internal processes. The antifreeze absorbs the heat created until its boiling point is reached; it is at this point that the liquid turns to a gas and is expelled to prevent the heating system from overheating. Each time the boiling point is reached, a loss of efficiency occurs because the heat produced is expelled rather than used for the function of the heating system. Therefore, a higher boiling point is desired in order to combat the loss of efficiency, which allows the antifreeze to transport the heat created from the internal process throughout the motor home where it can be used productively rather than dissipating due to its change from a liquid to a gas.

Rust and Anti-Corrosive Inhibitors:

Another major function of antifreeze is to provide protection to the internal metal components of the Aqua-Hot Hydronic heating system from corrosion and rust. Antifreeze is able to perform this function by the addition of rust- and anti-corrosive inhibitors, which are designed specifically to activate in a water solution.

Summary:

Antifreeze has three basic functions: freeze protection, boil-over protection, and anti-corrosion and rust protection.

Antifreeze is also primarily responsible for heat transfer characteristics. Therefore, as water is an excellent heat conductor, it is added to the mixture. A 50/50 solution of propylene glycol antifreeze and water is recommended to provide the best performance combination of the aforementioned functions. If excess propylene glycol exists within an antifreeze and water heating solution, the water's heat absorption properties are compromised, which could ultimately inhibit the Aqua-Hot from providing adequate domestic hot water and interior heating.

Additionally, if the antifreeze and water heating solution contains over 70 percent antifreeze, the freezing point is actually raised, resulting in less freeze protection.

SECTION 3: INTERIOR SWITCH PANEL

The interior switch panel is used to control the two potential heating sources for the Aqua-Hot's boiler tank, as well as to control the engine preheat feature. When a switch is activated, the indicator light on the switch will illuminate.

Diesel-Burner Switch:

When the diesel-burner switch is in the on position, and any time the control thermostat tells the electronic controller that heat is needed for the boiler tank, the diesel-burner will respond by firing up and providing heat. A cold boiler tank can expect to be brought to operating temperature by the diesel-burner in approximately 10 to 20 minutes. In order to obtain continuous hot water, the diesel-burner switch must be activated.

NOTE: If the diesel-burner fails to ignite, the diesel burner status light will go out, indicating to the customer the burner has gone into a default. To reset the default, the diesel burner switch must be turned off for 5 seconds and then turned back on.

Additionally, the diesel-burner switch can be used to reset a low-voltage condition. This is accomplished by turning off the diesel-burner switch for 30 seconds, then turning it back on.

Engine Preheat Switch:

The engine preheat switch activates the engine preheat pump, which draws the motor home's engine coolant through the boiler tank to heat it before returning it to the engine block to transfer the heat there. Either the diesel-burner switch or the electric element switch must also be activated in order for the engine preheat feature to function. The engine preheat switch does not need to be activated for the motor-aide feature to work and should be shut off when traveling.

Electric Element Switch:

NOTE: The Electric Heating Element (s) is the Aqua-Hot's secondary heat source for heating both the interior and/or the domestic hot water during low heating demand situations (such as when moderate ambient temperatures exist and/or when there is a low demand for domestic hot water). This feature is only operational whenever the Motor Home is connected to VAC power or when the generator is operating.

When the motor home is plugged into an AC power source (e.g., shore power, generator, etc.) and the electric element switch is on, the electric heating element will be used to provide heat to the boiler tank if the need arises. A cold boiler tank can expect to be brought to operating temperature by the electric heating element in approximately 1 to 2 hours. The electric element, alone, will not be able to provide continuous hot water.

Figure 6



AHE-600-D03 - Electric Element (s)

Function:

The “Electric switch, in conjunction with the “High/Low” switch, activates the Aqua-Hot’s Electric Heating Element (s), thereby illuminating the indicator light on the switch; reference Figure 7.

Low:

The process of moving the “High/Low” switch to the “**Low**” position, in conjunction with the activation of the “Electric” switch, allows one 120 VAC/2000 Watt Electric Heating Element to supply heat to the Aqua-hot’s Boiler tank. The 120 VAC/2000 Watt Electric heating Element will heat the Aqua-Hot System to the maximum operating temperature (190°F (+/-5°)) in approximately 1-2 hours.

High:

The process of moving the “High/Low” switch to the “**High**” position, in conjunction with the activation of the “Electric” switch, allows both 120 VAC/2000 Watt Electric Heating Elements to supply heat to the Aqua-Hot’s Boiler Tank. These two 120 VAC/2000 Watt Electric Heating Elements will heat the Aqua-Hot System to the maximum operating temperature (190°F (+/-5°)) in approximately 0.5 - 1 hour.

AHE-675-D03 - Electric Element (s)

Function:

The “Electric switch, in conjunction with the “High/Low” switch, activates the Aqua-Hot’s Electric Heating Element (s), thereby illuminating the indicator light on the switch; reference Figure 7.

Low:

The process of moving the “High/Low” switch to the “**Low**” position, in conjunction with the activation of the “Electric” switch, allows the 120 VAC/2000 Watt Electric Heating Element to supply heat to the Aqua-hot’s Boiler tank. The 120 VAC/2000 Watt Electric heating Element will heat the Aqua-Hot System to the maximum operating temperature(190°F (+/-5°)) in approximately 1-2 hours.

High:

The process of moving the “High/Low” switch to the “**High**” position, in conjunction with the activation of the “Electric” switch, allows both the 120 VAC/2000 Watt and the 240 VAC/4500 Watt Electric Heating Elements to supply heat to the Aqua-Hot’s Boiler Tank. The 120 VAC/2000 Watt and the 240 VAC/4500 Watt Electric Heating Elements will heat the Aqua-Hot System to the maximum operating temperature (190°F (+/-5°)) in approximately 0.5 - 1 hour.

Figure 7

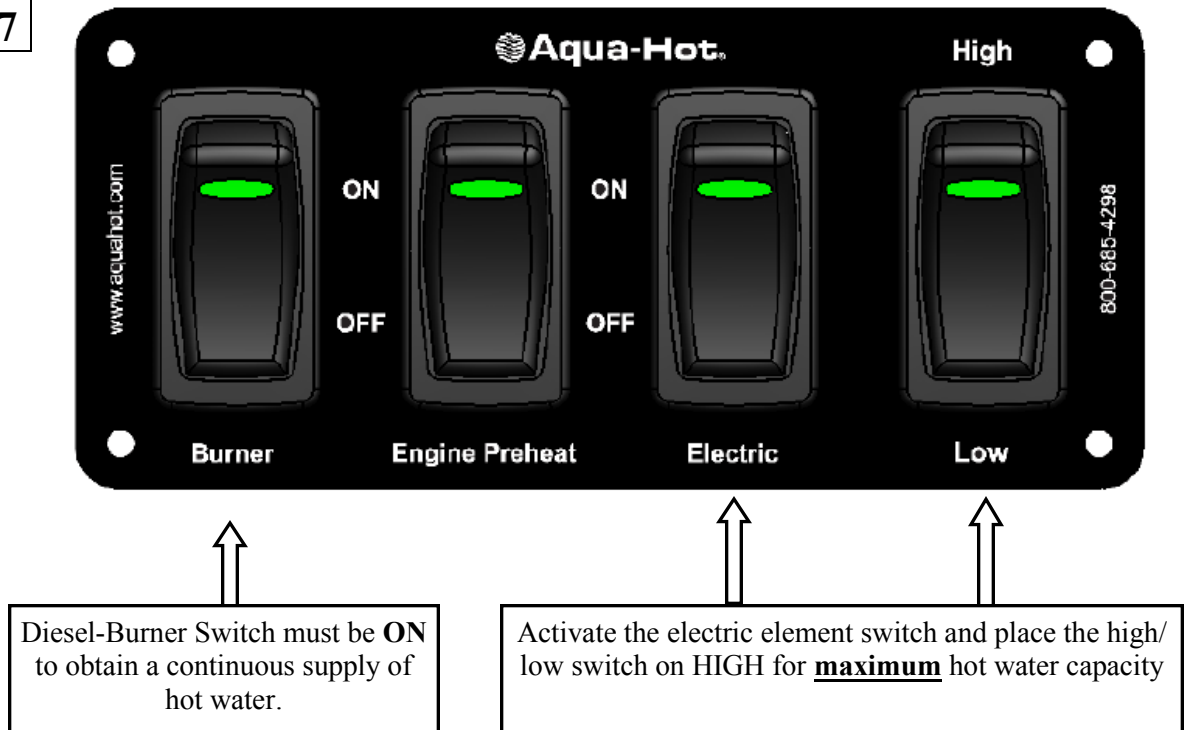
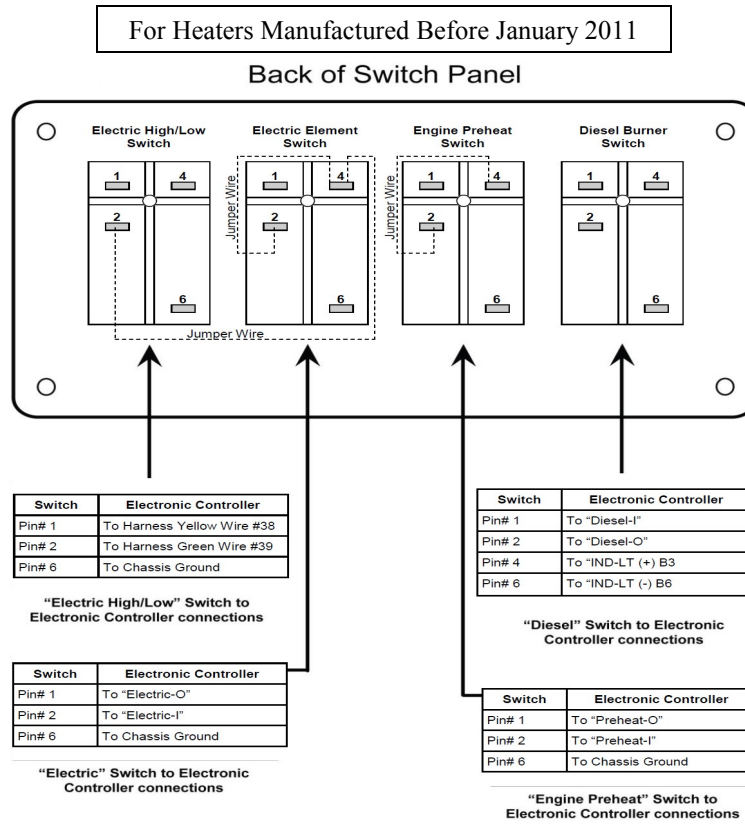


Figure 8a



For Heaters Manufactured Between January 2011 thru August 2011

Figure 8b

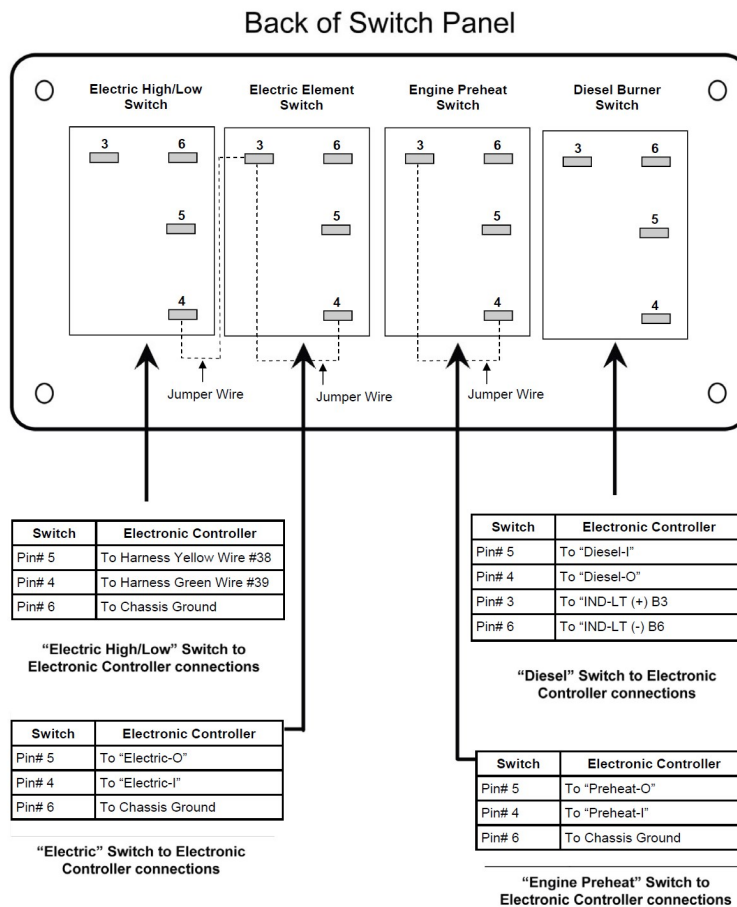
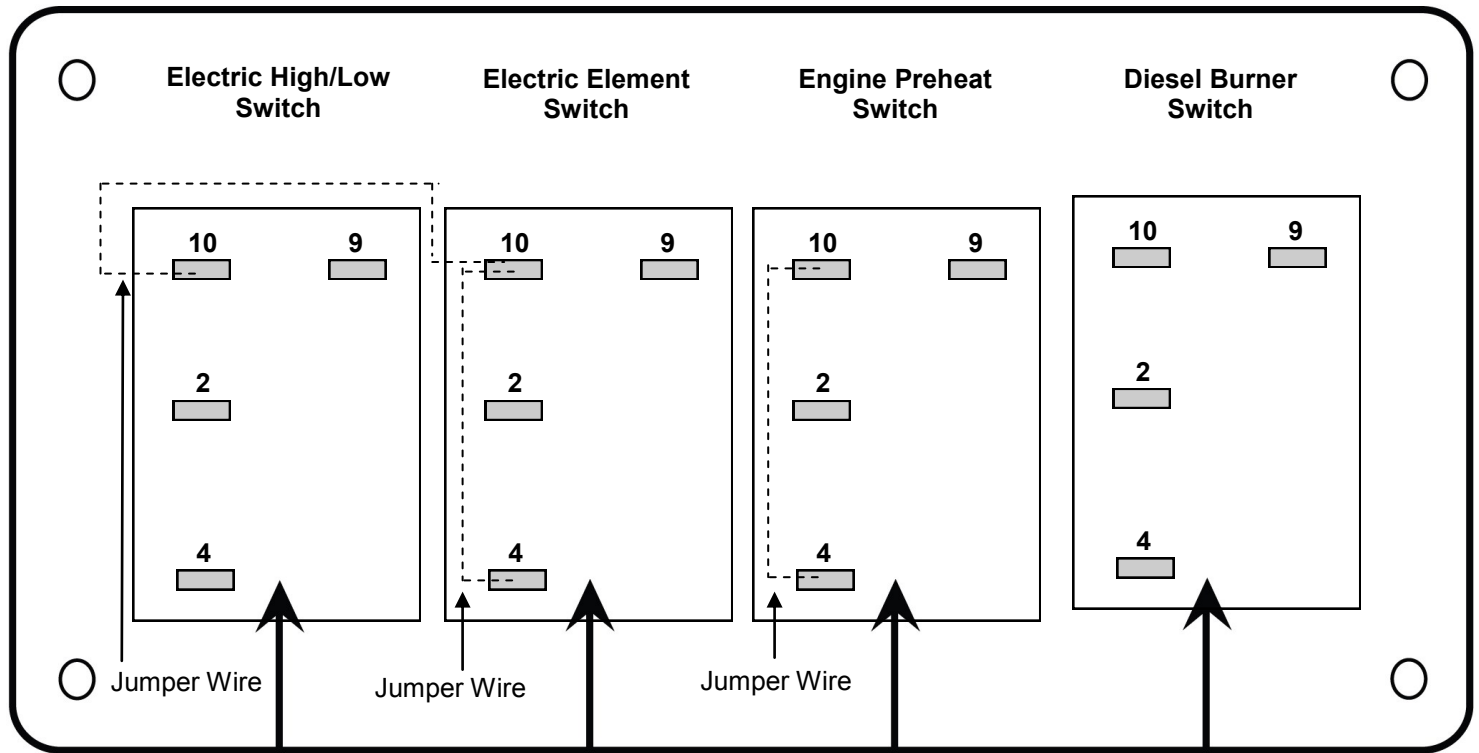


Figure 8c

Back of Switch Panel



Switch	Electronic Controller
Pin# 2	To Harness Yellow Wire #38
Pin# 4	To Harness Green Wire #39
Pin# 9	To Chassis Ground

“Electric High/Low” Switch to Electronic Controller connections

Switch	Electronic Controller
Pin# 2	To “Electric-O”
Pin# 4	To “Electric-I”
Pin# 9	To Chassis Ground

“Electric” Switch to Electronic Controller connections

Switch	Electronic Controller
Pin# 2	To “Diesel-I”
Pin# 4	To “Diesel-O”
Pin# 10	To “IND-LT (+) B3
Pin# 9	To “IND-LT (-) B6

“Diesel” Switch to Electronic Controller connections

Switch	Electronic Controller
Pin# 2	To “Preheat-O”
Pin# 4	To “Preheat-I”
Pin# 9	To Chassis Ground

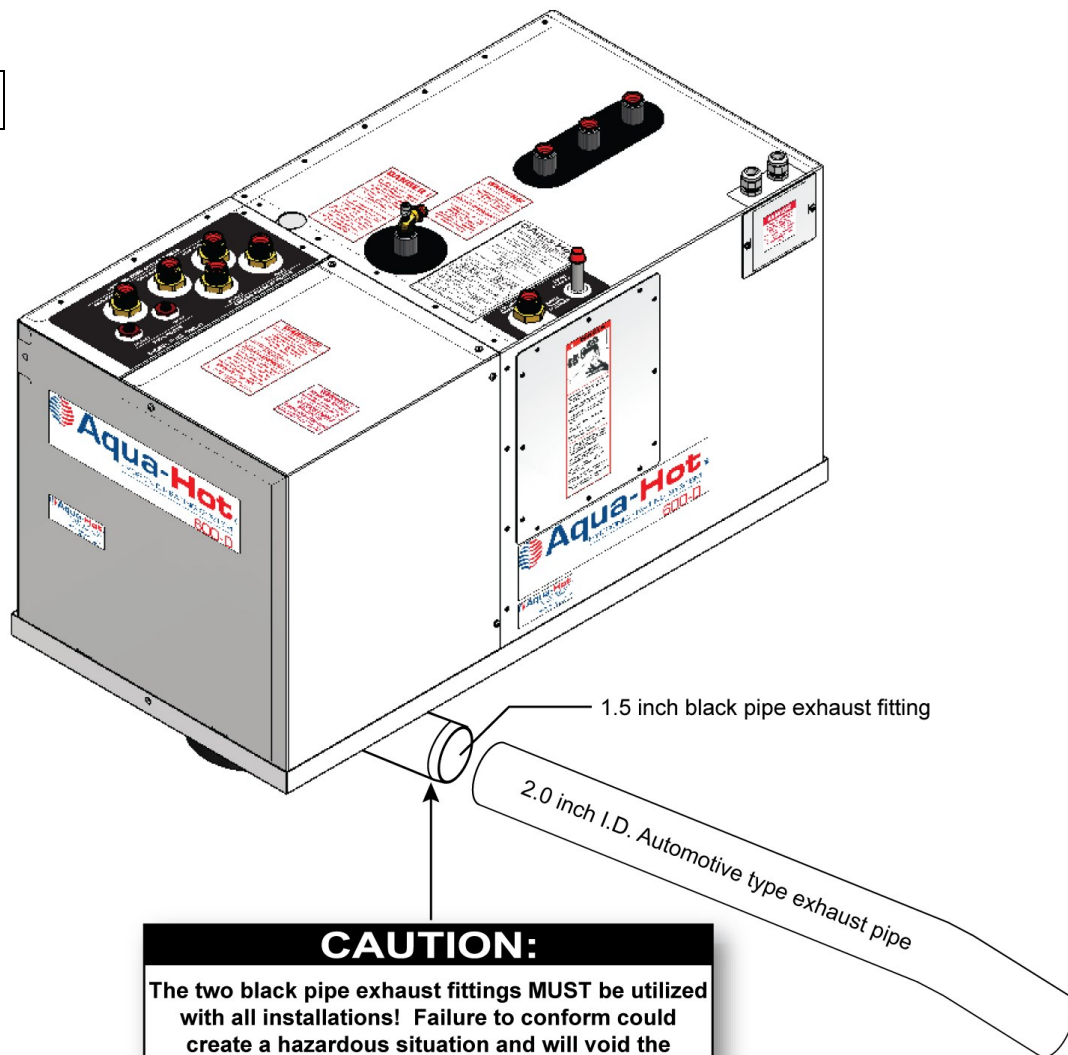
“Engine Preheat” Switch to Electronic Controller connections

SECTION 4: EXHAUST SYSTEM REQUIREMENTS

Because the Aqua-Hot's exhaust is hot and must be kept away from any heat-sensitive material, the exhaust system should be checked to ensure that it continues to meet the following requirements:

- The exhaust must not be directed downward as a fire could result when parked in dry, grassy areas.
- The exhaust must not terminate underneath the vehicle, underneath an open-able window or vent, in the awning area of the motor home (if applicable), or near slide-out areas.
- The exhaust must be able to freely exit away from the vehicle without any obstructions.
- Two-inch standard automotive-type exhaust piping should be used with a maximum of two 90-degree pipe bends and should not exceed 20 feet.
- The 3-inch and 4-inch black-pipe nipples and the exhaust elbow - originally supplied with the Aqua-Hot, must be present.

Figure 9



NOTE: A maximum of two 90° bends are allowed in the exhaust pipe. Also, the exhaust pipe cannot be longer than 20 feet.

This section details various components of the Aqua-Hot that may require troubleshooting and/or replacement in the event of a malfunction. The diesel-burner and its components are detailed in Section 10 of this manual.

Replacement parts can be ordered through Aqua-Hot's Web site at www.aquahot.com or by calling 1-800-685-4298.

If additional assistance is needed, the Technical Support Team can also be reached, Monday through Friday, from 7:00 AM to 4:00 PM Mountain Standard Time at 1-800-685-4298.

Sensors/Switches

Interlock Switch:

The Interlock Switch is a safety device designed to ensure that the Aqua-Hot's access cover is securely installed before allowing the diesel-burner to operate.

Troubleshoot the Interlock Switch if the following condition has occurred:

- The diesel-burner fails to operate.
- The diesel-burner switch light does not illuminate.

Troubleshooting:

NOTE: The interlock switch will prevent the diesel-burner from operating without the access cover intact; therefore, the switch will need to be manually pressed during testing for the switch's functionality.

1. Turn the diesel-burner switch on from the interior switch panel and ensure that the boiler tank has sufficiently cooled in order to require heat from the diesel-burner.
2. Verify that the "Heating Status" and "Diesel-Burner Status" indicator lights are illuminated on the electronic controller.
3. Disconnect the two yellow wires from the interlock switch noting that wire #24 is connected to the terminal labeled "NO" and wire #25 is connected to the terminal labeled "COM."
4. Using a digital volt meter, set to check for continuity, check the interlock switch for continuity while the button is pushed in.

If continuity is not present with the button pushed in, follow the instructions in this section to replace the Interlock Switch.

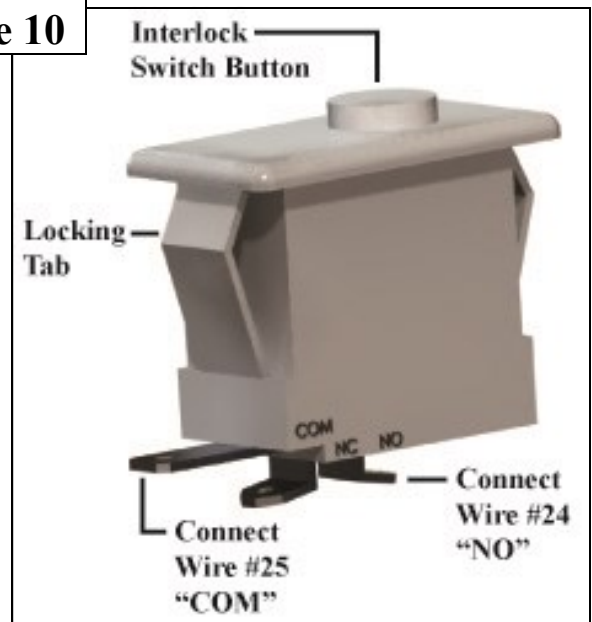
Replacement Procedure:

⚠ DANGER! ⚠
FAILURE TO DISCONNECT ALL POWER SUPPLIES AND/OR TO ALLOW THE HEATER TO COOL BEFORE SERVICING COULD CAUSE SERIOUS DAMAGE OR PERSONAL INJURY.

1. Disconnect the Interlock Switch's wires by pulling the quick connectors from the switch's spade terminals.
2. Release the Interlock Switch from the Aqua-Hot cabinet by pushing in on the locking tabs and pulling the Interlock Switch.
3. Remove the defective Interlock Switch from the Aqua-Hot.
4. Install the replacement Interlock Switch onto the Aqua-Hot ensuring that the locking tabs snap into place.
5. Connect the Aqua-Hot's wires to the replacement Interlock Switch with yellow wire #24 connected to the terminal labeled "NO" and yellow wire #25 connected to the terminal labeled "COM."

NOTE: If the Interlock Switch's wires are reversed, the Interlock Switch will only allow the diesel-burner to operate when the access cover is removed and the button on the switch is released.

Figure 10



Fluid-Level Sensor:

The Fluid-Level Sensor monitors the level of antifreeze and water heating solution within the Aqua-Hot's boiler tank to ensure that an adequate volume exists.

Troubleshoot the Fluid-Level Sensor if one of the following conditions has occurred:

- The diesel-burner and/or electric heating element fails to operate.
- The Aqua-Hot fails to operate and the "Low Tank-Level Cutoff" indicator light on the electronic controller is illuminated.

Troubleshooting:

1. Verify that the Aqua-Hot's boiler tank is full of the anti-freeze and water heating solution.
2. Verify that the wire connector is securely plugged into the fluid-level sensor and secured with the attached clip.
3. Verify that the fluid-level sensor's wires are securely installed in the terminal strip on the wire harness, as well as tightly fastened to the electronic controller.

The fluid-level sensor requires power to operate and possesses a third wire for power (#17), which advances from the sensor to join the red #1 wire on the "PUMP 3+" terminal on the electronic controller's JP3 plug.

NOTE: If pump number 3 shorts out, i.e. indicator light is red, it will cause the Low Tank-Level Cutoff light to illuminate red as well.

4. Verify the functionality of the fluid-level sensor by completing the following:
 - A. Remove the faceplate from the electronic controller.
 - B. Install a jumper wire on the JP3 plug, between pins 15 and 16 (between "LWCO-I" and "LWCO-O") on the electronic controller in order to bypass the fluid-level sensor.

If the "Low Tank-Level Cutoff" indicator light on the electronic controller extinguishes when the

jumper wire is installed, inspect the wire harness for damaged or severed wires. If no wires are found to be damaged or severed, follow the instructions in this section to replace the fluid-level sensor.

If, however, the "Low Tank-Level Cutoff" indicator light continues to illuminate once the jumper wire is installed, follow the instructions in this manual to replace the electronic controller.

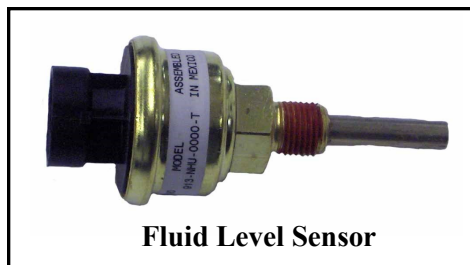
Replacement Procedure:

⚠ DANGER! ⚠

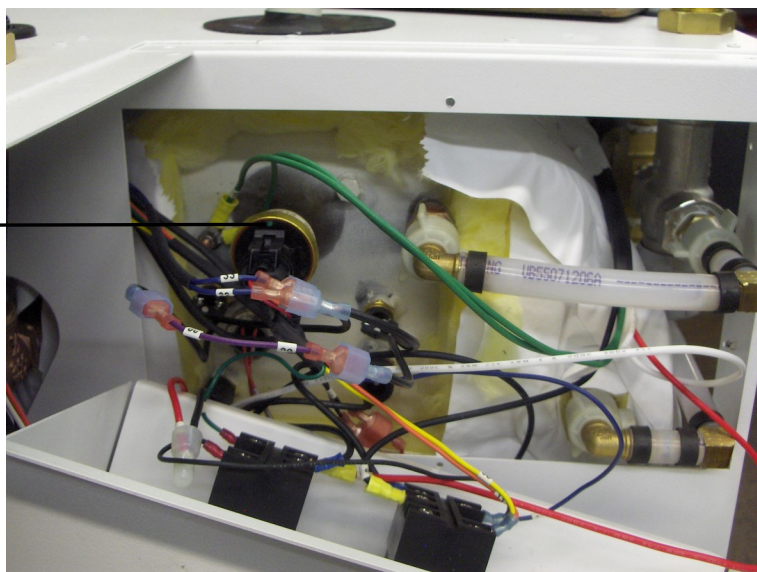
FAILURE TO DISCONNECT ALL POWER SUPPLIES AND/OR TO ALLOW THE HEATER TO COOL BEFORE SERVICING COULD CAUSE SERIOUS DAMAGE OR PERSONAL INJURY.

1. Ensure that the Aqua-Hot has been completely shut down and that all power sources have been disconnected. Also, because this replacement procedure will involve the boiler tank and the potential for hot coolant, be sure the heater has adequately cooled.
2. Drain the antifreeze and water heating solution from the Aqua-Hot's boiler tank using the drain valve.
3. Remove the Thermostat Access Panel
4. Disconnect the fluid-level sensor's wires by releasing the clip securing the plug to the sensor and pulling the plug away from the sensor. Reference Figure 11 for location.
5. Using a 7/8" wrench, unscrew the fluid-level sensor from the Aqua-Hot's boiler tank. It may be necessary to use a 7/8" Crow's Foot wrench.
6. Add a liquid thread sealant (such as Loctite®) to the threads of the replacement fluid-level sensor.
7. Screw the replacement fluid-level sensor into the port on the Aqua-Hot's boiler tank and tighten with a wrench.
8. Plug the fluid-level sensor's wires into the replacement sensor and secure with the clip.
9. Refill the Aqua-Hot's boiler tank with the antifreeze and water heating solution.
10. Reinstall the Thermostat Access Panel

Figure 11



Fluid Level Sensor



Thermostats

Control Thermostat:

The control thermostat is installed into the Aqua-Hot's boiler tank and monitors the temperature of the antifreeze and water heating solution to determine when it is at operating temperature and when it requires heat. The Aqua-Hot is considered to be at operating temperature between 158°F and 190°F.

Troubleshoot the control thermostat if one of the following conditions has occurred:

- There is a lack of hot domestic water and interior heat.
- The heating Status light does not illuminate on the electronic controller, when the Aqua-Hot is below 158° F.
- Excessive Blue or white smoke is expelled from the exhaust.

Troubleshooting:

1. Turn the diesel-burner and electric element switches on the interior switch panel on, and check the electronic controller to ensure that the "Electric Heating Element Status" and "Diesel-Burner Status" indicator lights are illuminated.
2. Verify that the "Heating Status" indicator light on the electronic controller is illuminated as it should be whenever the Aqua-Hot is below the operating temperature range of 158°F.

If the "Heating Status" indicator light is not illuminated, check the following:

- A. Verify that the temperature of the boiler tank has fallen below the 158°F minimum operating temperature by checking with a digital thermometer.
- B. Disconnect the control thermostat's wires from their connections, and, using an ohmmeter, check for continuity.

If there is no continuity, follow the instructions in this section for replacing the control thermostat.

If continuity exists, complete the following:

- a. Inspect the control thermostat's wiring and connections.
- b. Install a jumper wire on the JP3 plug, between pins 13 and 14 ("TSTAT-I" and "TSTAT-O") on the electronic controller in order to bypass the control thermostat.

NOTE: The diesel-burner and/or electric element switch must be in the on position for the "Heating Status" indicator light on the electronic controller to illuminate.

If the "Heating Status" indicator light on the electronic controller does not illuminate with the jumper wire installed, follow the instructions in this manual to replace the electronic controller.

NOTE: If the Control Thermostat is intermittent, it may result in the Heating status light flickering off and on, which would cause the diesel burner to blue/white smoke.

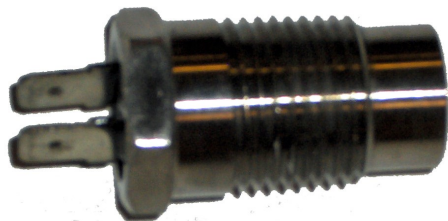
Control Thermostat Replacement Procedure:



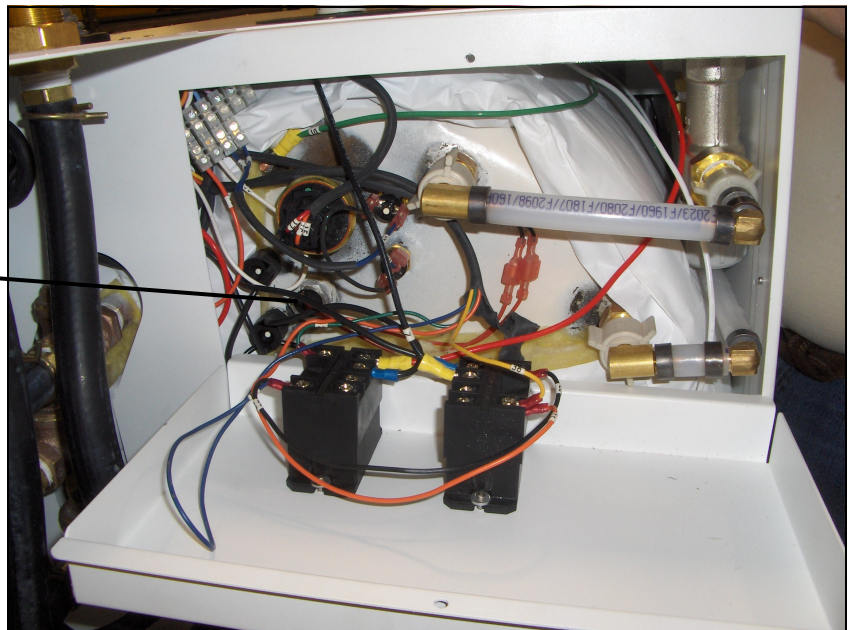
FAILURE TO DISCONNECT ALL POWER SUPPLIES AND/OR TO ALLOW THE HEATER TO COOL BEFORE SERVICING COULD CAUSE SERIOUS DAMAGE OR PERSONAL INJURY.

1. Ensure that the Aqua-Hot has been completely shut down and that all power sources have been disconnected. Also, because this replacement procedure will involve the boiler tank and the potential for hot coolant, be sure the heater has adequately cooled.
2. Drain the antifreeze and water heating solution from the Aqua-Hot's boiler tank using the drain valve.
3. Remove the Thermostat Access Panel
4. Disconnect the defective control thermostat's wires by separating the quick-disconnect terminals. Reference Figure 12 for location.
5. Using a 7/8 socket, unscrew the control thermostat from the Aqua-Hot's boiler tank.
6. Wrap the threads of the replacement control thermostat with a thread sealing tape.
7. Screw the replacement control thermostat into the port on the Aqua-Hot's boiler tank and tighten securely with a 7/8 socket.
8. Connect the replacement control thermostat's wires in the same configuration as the removed control thermostat's wires.
9. Refill the Aqua-Hot's boiler tank with the antifreeze and water heating solution.
10. Re-install the Thermostat Access Panel
11. Test the Aqua-Hot for normal operation.

Figure 12



185 °F Control Thermostat



AC High-Limit Thermostat : Right Electric Element

The AC high-limit thermostat serves as a safety measure in the event that the electric heating element continues to operate after the maximum operating temperature is reached. The high-limit thermostat allows the current for the heating element to pass through it until the boiler tank reaches a temperature of 215°F. Should this temperature be reached, the high-limit thermostat blocks the current to the element, which prevents it from continuing to provide heat to the boiler tank.

Troubleshoot the AC high-limit thermostat for the right electric element if the following condition has occurred:

- The right electric heating element fails to operate.

Troubleshooting:

1. Disconnect all power supplies.
2. Remove the Thermostat Access Panel.
3. Verify that the boiler tank's temperature is below 215°F.
4. Locate the AC high-limit thermostat for the Right Electric element and remove its wires.

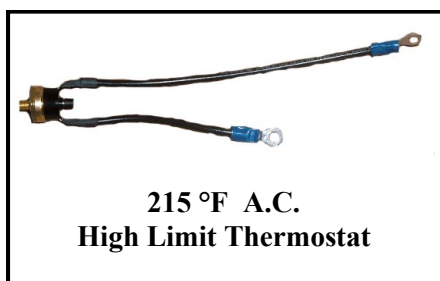
NOTE: The location of the AC high limit thermostat may vary in location, from Figure 13.

5. Using an ohmmeter, check the thermostat for continuity.

If there is no continuity, press the white reset button on the thermostat and re-check for continuity.

If continuity is still not present after the reset button has been pressed, follow the instructions in this section to replace the AC high-limit thermostat.

Figure 13



NOTE: If the high-limit thermostats continue to trip, troubleshoot the control thermostat, and verify the boiler tank is full of the antifreeze-water solution.

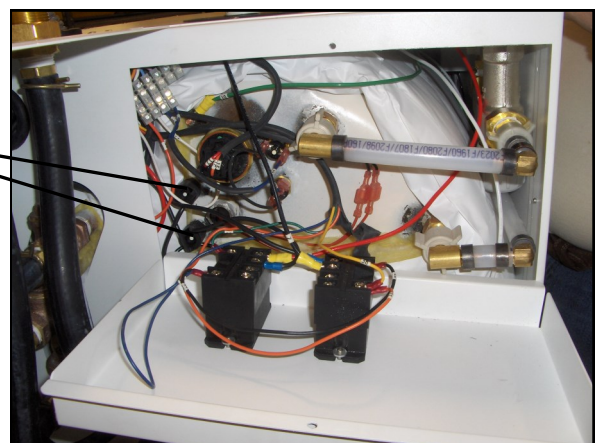
Replacement Procedure:

⚠ DANGER! ⚠
FAILURE TO DISCONNECT ALL POWER SUPPLIES AND/OR TO ALLOW THE HEATER TO COOL BEFORE SERVICING COULD CAUSE SERIOUS DAMAGE OR PERSONAL INJURY.

1. Ensure that the Aqua-Hot has been completely shut down and that all power supplies have been disconnected.
2. Remove the AC access cover.
3. If applicable, remove the heat shrink insulation covering the wires and terminals on the defective high-limit thermostat.
4. Disconnect the high-limit thermostat from the A.C. relay by removing the screw with a Philips screw drive. Remove the wire from the electric element by cutting the wire connector.
5. Using a 5/8 wrench or socket, remove the defective high-limit thermostat from the Aqua-Hot's boiler tank.
6. Install the replacement high-limit thermostat into the port on the Aqua-Hot's boiler tank and finger-tighten only (15 in/ lbs).
7. Connect the wires on the replacement high-limit thermostat in the same configuration as they were removed. Be sure to use a new wire connector to connect the replacement high limit thermostat to the electric element.

NOTE: One wire will attach to the electric heating element and one wire will attach to the A.C. Relay.

8. Secure the Thermostat Access Panel cover back into place.
9. Test for proper operation.



AC High-Limit Thermostat: Left Electric Element

The AC high-limit thermostat serves as a safety measure in the event that the electric heating element continues to operate after the maximum operating temperature is reached. The high-limit thermostat allows the current for the heating element to pass through it until the boiler tank reaches a temperature of 215°F. Should this temperature be reached, the high-limit thermostat blocks the current to the element, which prevents it from continuing to provide heat to the boiler tank.

Troubleshoot the AC high-limit thermostat for the Left Electric element if the following condition has occurred:

- The Left Electric Heating Element fails to operate.

Troubleshooting:

1. Disconnect all power supplies.
2. Remove Thermostat Access Panel
3. Verify that the boiler tank's temperature is below 215°F.
4. Locate the AC high-limit thermostat for the left electric element and remove its wires.

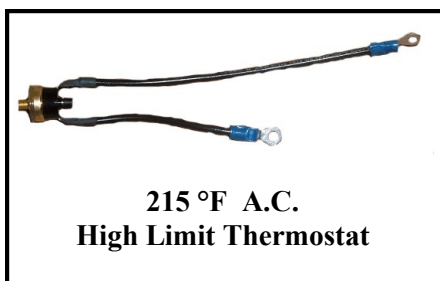
NOTE: The location of the AC high limit thermostat may vary in location, from Figure 14.

5. Using an ohmmeter, check the thermostat for continuity.

If there is no continuity, press the white reset button on the thermostat and re-check for continuity.

If continuity is still not present after the reset button has been pressed, follow the instructions in this section to replace the AC high-limit thermostat.

Figure 14



NOTE: If the high-limit thermostats continue to trip, troubleshoot the control thermostat, and verify the boiler tank is full of the antifreeze-water solution.

Replacement Procedure:

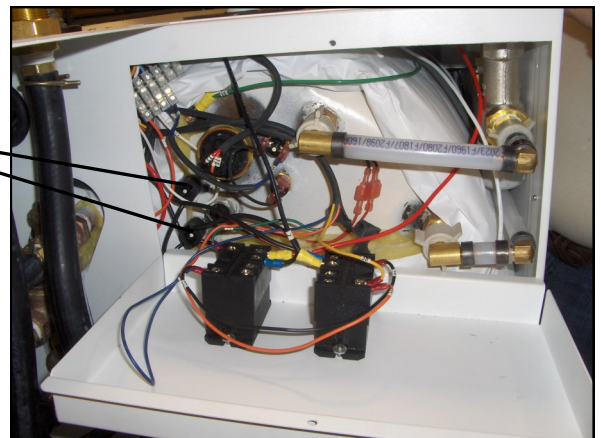
⚠ DANGER! ⚠

FAILURE TO DISCONNECT ALL POWER SUPPLIES AND/OR TO ALLOW THE HEATER TO COOL BEFORE SERVICING COULD CAUSE SERIOUS DAMAGE OR PERSONAL INJURY.

1. Ensure that the Aqua-Hot has been completely shut down and that all power supplies have been disconnected.
2. Remove the AC access cover.
3. If applicable, remove the heat shrink insulation covering the wires and terminals on the defective high-limit thermostat.
4. Disconnect the high-limit thermostat from the A.C. relay by removing the screw with a Phillips screw drive. Remove the wire from the electric element by cutting the wire connector.
5. Using a 5/8 wrench or socket, remove the defective high-limit thermostat from the Aqua-Hot's boiler tank.
6. Install the replacement high-limit thermostat into the port on the Aqua-Hot's boiler tank and finger-tighten only (15 in/lbs).
7. Connect the wires on the replacement high-limit thermostat in the same configuration as they were removed. Be sure to use a new wire connector to connect the replacement high limit thermostat to the electric element.

NOTE: One wire will attach to the electric heating element and one wire will attach to the A.C. Relay.

8. Secure the Thermostat Access Panel cover back into place.
9. Test for proper operation.



DC High-Limit Thermostats:

The DC high-limit thermostats (2) serve as a safety measure in the event that the diesel-burner continues to operate after the maximum operating temperature is reached. The high-limit thermostats allow the current for the diesel-burner to pass through them until the boiler tank reaches a temperature of 215°F. Should this temperature be reached, the high-limit thermostat blocks the current to the diesel-burner's fuel solenoid valve, which prevents the diesel-burner from operating.

Troubleshoot the DC high-limit thermostat if the following condition has occurred:

- The fuel solenoid on the diesel-burner fails to operate.

Troubleshooting:

1. Remove the Thermostat Access Panel
2. Place a jumper wire between the blue and purple wires on the diesel-burner's wire harness to bypass the high limit thermostats. Check the Aqua-Hot for normal operation.

NOTE: Bypassing the high-limit thermostats is for testing only and must not be used for the Aqua-Hot's normal functioning.

3. Disconnect the DC high-limit thermostats' wires, then, using an ohmmeter, check each thermostat for continuity.

If there is no continuity, complete the following:

- A. Press the white reset button on the high-limit thermostat, then re-check for continuity.

- B. Disconnect the wires from each thermostat and re-check each thermostat for continuity, as well as each of the thermostats' individual wires.

If an individual wire does not have continuity, that wire must be replaced.

If a thermostat with the wires removed that has been reset does not have continuity, follow the instructions in this section to replace the high-limit thermostat.

NOTE: If the high-limit thermostats continue to trip, troubleshoot the control thermostat, and verify the boiler tank is full of the antifreeze-water solution.

Replacement Procedure:

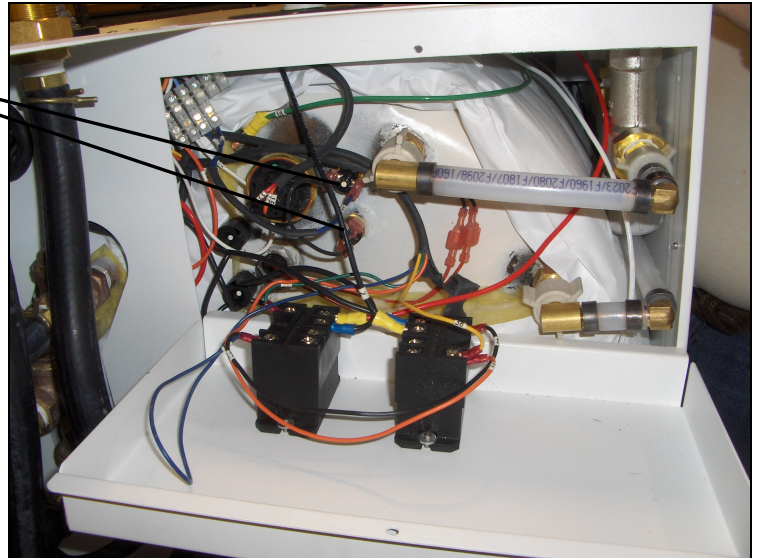


FAILURE TO DISCONNECT ALL POWER SUPPLIES AND/OR TO ALLOW THE HEATER TO COOL BEFORE SERVICING COULD CAUSE SERIOUS DAMAGE OR PERSONAL INJURY.

1. Ensure that the Aqua-Hot has been completely shut down and that all power sources have been disconnected.
2. Remove the Thermostat Access Panel
3. Remove the two wires from the defective high-limit thermostat by pulling firmly on the wires.
4. Using a 5/8 wrench or socket, remove the defective high-limit thermostat from the Aqua-Hot's boiler tank.
5. Install the replacement high-limit thermostat into the port on the Aqua-Hot's boiler tank and finger-tighten only (15 in/lbs).
6. Connect the wires removed from the defective high-limit thermostat to the replacement high-limit thermostat.
7. Secure the Thermostat Access Panel in place.



Figure 15



Valves

Check Valve:

Check valves are installed into the zone outlet ports for each heating loop to ensure that the antifreeze and water heating solution only flows in one direction. If the heating solution attempts to backflow into the boiler tank, the check valve closes to prevent that from happening.

Troubleshoot the check valves if the following condition has occurred:

- There is a lack of interior heat in a particular zone.

Troubleshooting:

1. Verify that the heating zone is operating properly by checking the following:
 - A. Check the electronic controller to insure that both the “Heating Zone Status” and corresponding pump status (“Pump #1”, “Pump #2”, or “Pump #3”) indicator lights are illuminated green.
 - B. Check the circulation pump for operation by visually inspecting it for rotation of the pump.

2. With the circulation pump operating, tap on the check valve and wait five minutes to evaluate if interior heat is now present.

If interior heat is present after tapping the check valve, the check valve was stuck closed and no further action is necessary.

NOTE: Storing the motor home for an extended period of time can cause the check valves to stick. If, after the initial release of the stuck check valve, it continues to stick, follow the instructions in this section to replace the check valve.

3. Check the Aqua-Hot’s antifreeze and water heating solution’s ratio of water to propylene glycol. The mixture ratio should be approximately 50/50. If the solution is comprised fully of antifreeze (100%), the check valves will continue to stick.

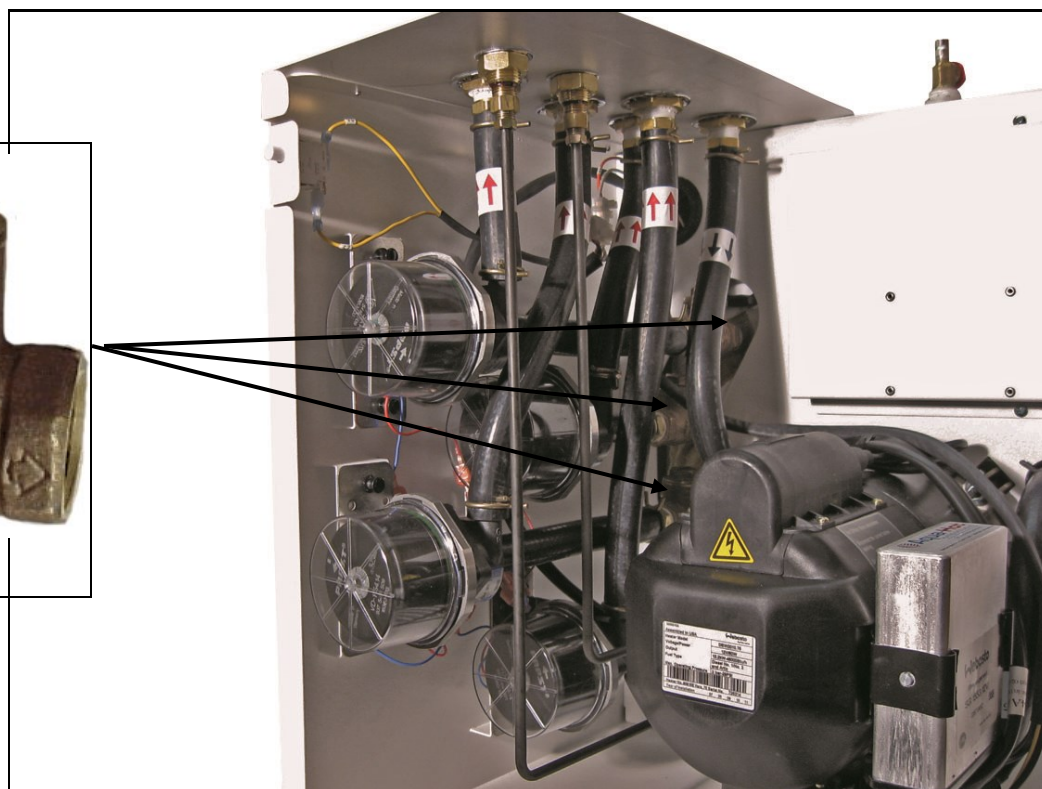
Replacement Procedure:

⚠ DANGER! ⚠

FAILURE TO DISCONNECT ALL POWER SUPPLIES AND/OR TO ALLOW THE HEATER TO COOL BEFORE SERVICING COULD CAUSE SERIOUS DAMAGE OR PERSONAL INJURY.

1. Ensure that the Aqua-Hot has been completely shut down and that all power sources have been disconnected. Also, because this replacement procedure will involve the boiler tank and the potential for hot coolant, be sure the heater has adequately cooled.
2. Drain the antifreeze and water heating solution from the Aqua-Hot's boiler tank using the drain valve.
3. Using constant tension pliers, loosen and slide back the constant tension clamp securing the hose to the defective check valve.
4. Remove the hose from the defective check valve.
5. Unscrew the defective check valve from the Aqua-Hot's boiler tank.
6. Remove the hose barb and the 1/2 inch coupler from the defective check valve.
7. Clean the hose barb and coupler, then wrap the hose barb and the 1/2 inch coupler pipe threads with Teflon tape.
8. Install the hose barb and 1/2 inch coupler on the replacement check valve, ensuring that they are installed properly with the hose barb on the arrow side of the check valve.
9. Install the replacement check valve onto the Aqua-Hot's boiler tank. The arrow on the check valve must point away from the boiler tank.
10. Slide the hose back onto the replacement pump and set the constant tension clamp back into place.
11. Refill the Aqua-Hot's boiler tank with the antifreeze and water heating solution.

Figure 16



Tempering Valve:

The tempering valve for the Aqua-Hot mixes the heated domestic water from the boiler tank with cold domestic water at a preset ratio to reduce the risk of scalding.

Troubleshoot the tempering valve if the following condition has occurred:

- There is a lack of hot domestic water.

Troubleshooting:

NOTE: Prior to trouble shooting the tempering valve, it is recommended to review the Lack of Hot Water Trouble Shooting guide in section 11.

1. Inspect the tempering valve to ensure that it is not leaking.
2. Test the temperature of the hot water using a digital thermometer at one of the hot water faucets. Water Temperature should range between 115° F - 123° F. If the proper range cannot be set follow the instructions in this section to replace the tempering valve.
3. Test the tempering valve's functionality by turning the knob.

If the tempering valve's knob does not turn freely, follow the instructions in this section to replace the tempering valve.

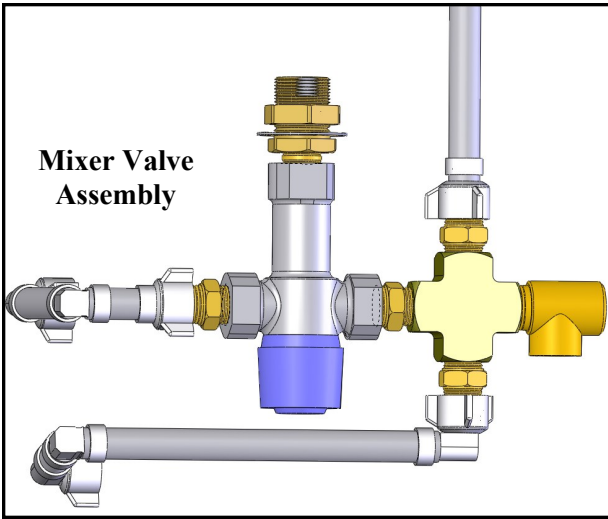
Replacement Procedure:

⚠ DANGER! ⚠

FAILURE TO DISCONNECT ALL POWER SUPPLIES AND/OR TO ALLOW THE HEATER TO COOL BEFORE SERVICING COULD CAUSE SERIOUS DAMAGE OR PERSONAL INJURY.

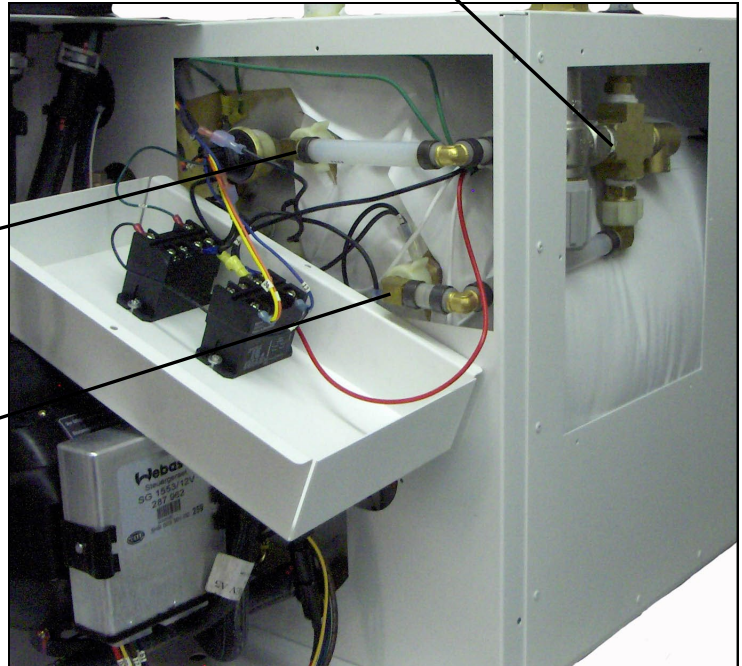
1. Turn the motor home's water pump off.
2. Drain the water pressure by opening the faucets and allowing the water to drain.
3. Remove both the Domestic Water access panel and the Thermostat Access Panel.
4. Disconnect the motor home's water lines from the tempering valve assembly.
5. Loosen and Remove the Bulk Head Fitting Nut, Located on the top of the heater, for the Hot output water.
6. Disconnect both the Hot and Cold Pex pipe fittings from the boiler tank.
7. Remove the tempering valve assembly from the Aqua-Hot by sliding it out the thermostat access cover area.
8. Remove all fittings from the defective tempering valve, and clean to be reused.
9. Wrap the threads of the brass fittings with a thread seal tape, on the side that screws into the tempering valve, and Install the brass fittings onto the replacement tempering valve.
10. Install the replacement tempering valve onto the Aqua-Hot by sliding in through the thermostat access cover.
11. Reconnect the Pex pipe fittings on the tempering valve assembly to the Aqua-Hot. Be sure to inspect the rubber seals and replace if necessary.
12. Reconnect the motor home's water lines to the tempering valve assembly.
13. Turn the motor home's water pump back on and check for leaks and the presence of hot domestic water.
14. Verify that the replacement tempering valve has been set to the proper setting by taking a digital thermometer to a hot water faucet and set the water temperature between 115°F - 123°F.
15. Secure both the Domestic Water Access Panel, and the Thermostat Access Panel in place.

Figure 17



Hot Water Outlet Port

Cold Water inlet Port



Pumps

Circulation Pumps #1, #2 and #3:

The circulation pumps first draw the heated antifreeze and water heating solution from the Aqua-Hot's boiler tank, then propel it through the Hydronic heating system's interior heat plumbing.

Troubleshoot the circulation pumps if the following condition has occurred:

- The circulation pump is not operating and the "Low Temp Cutoff Status" indicator light is illuminated on the electronic controller.
- The Zone Pump indicator light illuminates red on the electronic controller.

Troubleshooting:

1. Verify that the "Low Temp Cutoff Status" indicator light on the electronic controller is illuminated, as it will be continuously with the 600 Series Aqua-Hot.
2. Turn on the interior room thermostat corresponding to the circulation pump not operating (heating zone 1 operates with circulation pump #1, heating zones 2,3,and 4 operate with circulation pump #2 and heating zone 5 operates with circulation pump #3). Check the corresponding "Heating Zone Status" indicator lights on the electronic controller for illumination.

If the "Heating Zone Status" indicator light does not illuminate, complete the following:

- A. Install a jumper wire on the JP1 plug between the pins corresponding to the room thermostat operating the circulation pump that is not operating. Reference the wiring diagram in Appendix A. This will bypass the room thermostat.

When the "Heating Zone Status" indicator light illuminates on the electronic controller, the corresponding "Pump #1" and/or "Pump #2" and/or "Pump #3" indicator light should illuminate as well.

- B. With the jumper wire installed, check the indicator light corresponding to the pump not operating.

If the indicator light illuminates green, complete the following:

- A. Using a voltmeter, check for 12 volts of DC power on the JP3 plug pins corresponding to the pump not operating.

If 12 volts of DC power are not present, follow the instructions in this manual to replace the electronic controller.

- B. Disconnect the circulation pump's wires from the wiring harness, then, using a voltmeter, check the wires on the wiring harness for 12 volts of DC power.

If 12 volts of DC power are present at the wiring harness, follow the instructions in this section to replace the circulation pump.

NOTE: The circulation pump can be tested by connecting it to an external 12 Volt-DC source to verify that the pump is defective.

If the indicator light illuminates red, complete the following:

- A. Disconnect the circulation pump's wires.

If the indicator light turns green with the circulation pump disconnected, follow the instructions in this section to replace the circulation pump.

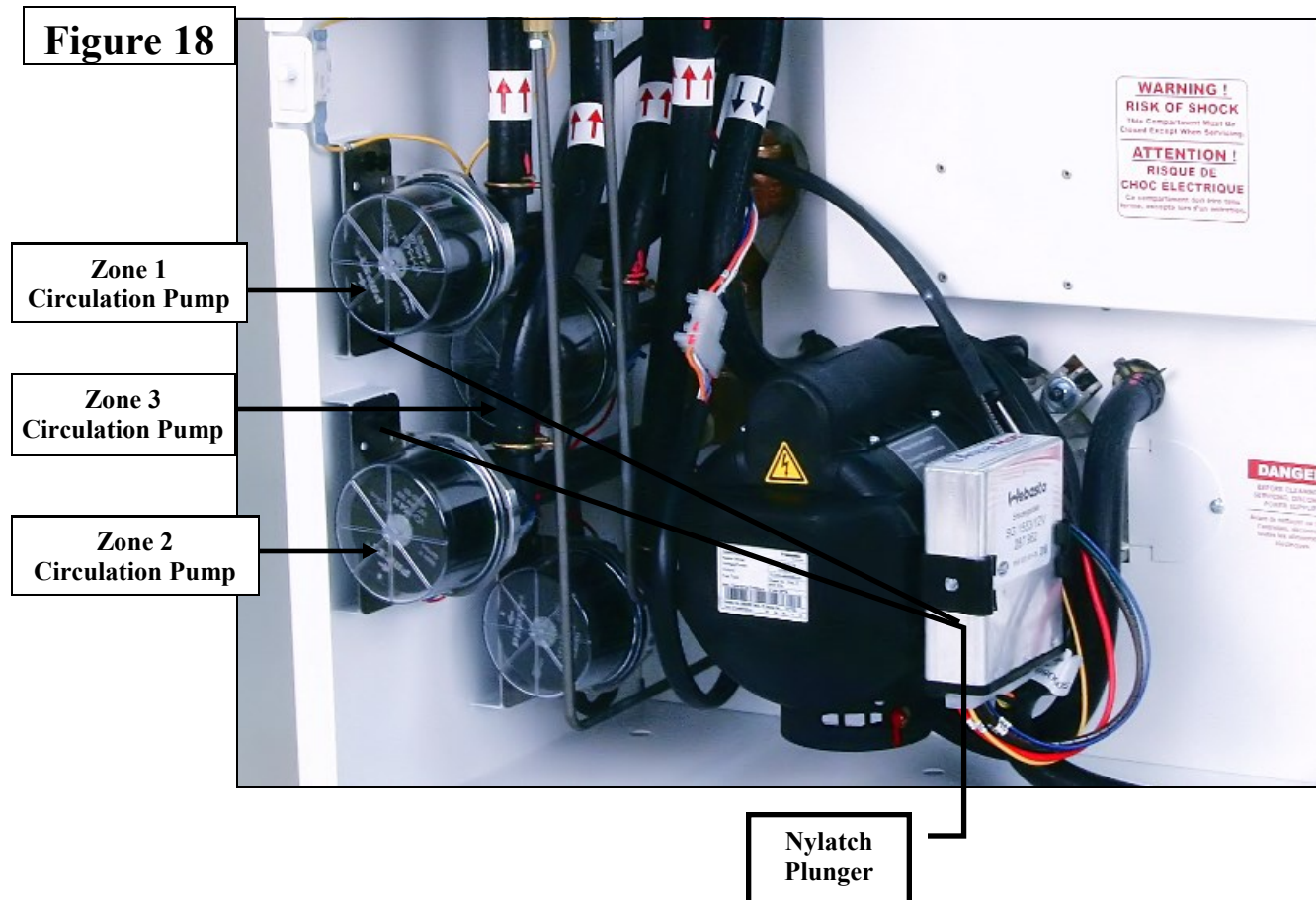
If the indicator light remains red with the circulation pump disconnected, check the wiring for damage. If no damage is found, follow the instructions in this manual to replace the electronic controller.

Replacement Procedure:

⚠ DANGER! ⚠

FAILURE TO DISCONNECT ALL POWER SUPPLIES AND/OR TO ALLOW THE HEATER TO COOL BEFORE SERVICING COULD CAUSE SERIOUS DAMAGE OR PERSONAL INJURY.

1. Ensure that the Aqua-Hot has been completely shut down and that all power sources have been disconnected. Also, because this replacement procedure will involve the potential for hot coolant, be sure the heater is adequately cooled.
2. Drain the antifreeze and water heating solution from the Aqua-Hot's boiler tank using the drain valve.
3. Disconnect the defective circulation pump's wires by separating the quick-disconnect terminals.
4. Using constant tension pliers, loosen and slide back the constant tension clamps securing the hoses to the circulation pump.
5. Remove the hoses from the defective circulation pump.
6. Release the pump from the mounting bracket by pulling on each Nylatch plunger, then remove the defective pump from the Aqua-Hot.
7. Slide the hoses back onto the replacement pump and set the constant tension clamps back into place.
8. Install the replacement pump onto the mounting bracket by aligning the Nylatch plungers to their respective holes and pushing the plungers in to secure the pump to the bracket.
9. Reconnect the wires on the replacement pump to the wire harness on the heater by uniting the red quick-disconnect terminals.
10. Refill the Aqua-Hot's boiler tank with the antifreeze and water heating solution.
11. Test the Aqua-Hot for normal operation.



Pumps

Engine Preheat Pump:

The Engine Preheat circulation pump draws the cold anti-freeze and water heating solution from the motor home's engine and then propels it through the Engine Preheat Heat exchanger, located inside the boiler tank.

Troubleshoot the Engine Preheat Pump if the following condition has occurred:

- The Engine Preheat Pump is not operating, and the Engine Preheat Switch on the Switch Panel inside the motor Home is in the ON position and the “Low Temp Cutoff Status” indicator light is illuminated on the electronic controller.
- The Engine Preheat Pump indicator light illuminates red on the electronic controller.

Troubleshooting:

NOTE: Either the diesel-burner switch or the electric element switch must also be activated in order for the engine preheat feature to function.

- **The Engine Preheat Pump is not operating, and the Engine Preheat Switch on the Switch Panel inside the motor Home is in the ON position and the “Low Temp Cutoff Status” indicator light is illuminated on the electronic controller.**
 1. Verify that the “Low Temp Cutoff Status” indicator light on the electronic controller is illuminated, as it will be continuously with the 600 Series Aqua-Hot.
 2. Verify that the Engine Preheat Switch is in the ON position, on the interior switch panel inside the motor home. Either the diesel burner switch or the electric element switch must also be activated in order for the engine preheat feature to function.
 3. On the electronic controller, verify that the engine preheat pump light is illuminated.

If the Engine preheat pump indicator light does not illuminate, complete the following:

- A. Verify that the low temperature cutoff light and the diesel burner/electric heating element status lights are illuminated on the electronic controller.
- B. Using a jumper wire, bypass the engine preheat switch on the JP3 plug, by connecting pins Preheat-O and Preheat-I together.

If the engine preheat pump indicator light illuminates with the jumper installed, inspect for loose wires. If no loose wires are found, replace the engine preheat switch, on the interior switch panel, inside the motor home.

If the engine preheat pump indicator light does not illuminate, and the Low Temperature Cut-Off Light is illuminated along with either the diesel or the electric element status indicator light, follow the instructions in this manual to replace the electronic controller.

- **The Engine Preheat Pump indicator light illuminates green on the electronic controller but the pump is not running.**

- A. Using a voltmeter, check for 12 volts of DC power on the JP3 plug pins corresponding to the pump not operating.

If 12 volts of DC power are not present, follow the instructions in this manual to replace the electronic controller.

- B. Disconnect the engine preheat circulation pump's wires from the wiring harness, then, using a voltmeter, check the wires on the wiring harness for 12 volts of DC power.

If 12 volts of DC power are present at the wiring harness, follow the instructions in this section to replace the engine preheat circulation pump.

NOTE: The engine preheat circulation pump can be tested by connecting it to an external 12 Volt-DC source to verify that the pump is defective.

- **The Engine Preheat Pump indicator light illuminates red on the electronic controller.**

A. Disconnect the engine preheat circulation pump’s wires.

If the indicator light turns green with the engine preheat circulation pump disconnected, follow the instructions in this section to replace the engine preheat circulation pump.

If the indicator light remains red with the circulation pump disconnected, check the wiring for damage. If no damage is found, follow the instructions in this manual to replace the electronic controller.

Replacement Procedure:

⚠ DANGER! ⚠

FAILURE TO DISCONNECT ALL POWER SUPPLIES AND/OR TO ALLOW THE HEATER TO COOL BEFORE SERVICING COULD CAUSE SERIOUS DAMAGE OR PERSONAL INJURY.

1. Ensure that the Aqua-Hot has been completely shut down and that all power sources have been disconnected. Also, because this replacement procedure will involve the potential for hot coolant, be sure the heater is adequately cooled.
2. Using hose pinch off pliers, clamp both hoses attached to the engine preheat pump, closed.
3. Disconnect the defective engine preheat pump’s wires by separating the quick-disconnect terminals.
4. Using constant tension pliers, loosen and slide back the constant tension clamps securing the hoses to the engine preheat pump.
5. Remove the hoses from the defective engine preheat pump.
6. Release the pump from the mounting bracket by pulling on each Nylatch plunger, then remove the defective pump from the Aqua-Hot.
7. Slide the hoses onto the replacement pump and set the constant tension clamps back into place.
8. Install the replacement pump onto the mounting bracket by aligning the Nylatch plungers to their respective holes and pushing the plungers in to secure the pump to the bracket.
9. Reconnect the wires on the replacement pump to the wire harness on the heater by uniting the red quick-disconnect terminals.
10. Remove the hose pinch off pliers previously installed on both hoses.
11. Test the Aqua-Hot for normal operation.

Figure 19

Engine Preheat Pump



Electrical - AC

Electric Heating Element: Right

CAUTION:

There are two different Models in the Aqua-Hot 600 Series. The Aqua-Hot 600 has 2-2000 Watt 120 VAC electric heating elements. The Aqua-Hot 675 has 1-2000 Watt 120 VAC electric heating element (Right), and 1-4500 Watt 240 VAC electric heating element (Left)

The electric heating element uses AC power as an alternate power source for heating the Aqua-Hot's boiler tank.

Troubleshoot the electric heating element if the following condition has occurred:

- There is a lack of hot domestic water and interior heat when the electric element is selected as the heating source.

Troubleshooting:

NOTE: For continuous domestic hot water to be present, the diesel-burner must be selected also as a heating source.

1. Verify that the motor home is either plugged into shore power or that the generator is running to provide AC power.
2. Verify that both the "Electric Heating Element Status" and the "Heating Status" indicator lights on the electronic controller are illuminated.

If the "Electric Heating Element Status" indicator light on the electronic controller is not illuminated, complete the following:

- A. Verify that the electric element switch on the interior switch panel is on.
- B. Install a jumper wire on the JP2 plug, between pins 52 and 53 ("ELECT-O" and "ELECT-I") on the electronic controller to bypass the electric element switch.

If the "Electric Heating Element Status" indicator light illuminates on the electronic controller with the jumper wire installed, check the Electric Element Switch, on the interior switch panel for functionality.

If the "Electric Heating Element Status" indicator light does not illuminate on the electronic controller with the jumper wire installed, follow the instructions in this manual to replace the electronic controller.

If the "Heating Status" indicator light on the electronic controller is not illuminated, complete the following:

- A. Check the temperature of the Aqua-Hot's boiler tank.

If the boiler tank temperature is below 158°F, troubleshoot the control thermostat.

If the boiler tank is above 158°F, the Aqua-Hot is at operating temperature and requires no heat.

3. Verify the Electronic Controller is sending 12 Volt DC to the A.C. Relay.
 - A. Using a volt meter check pins 11 & 12 ("AC REL -" and "AC REL +") for 12-Volt D.C on the JP3 plug.

If 12 Volts of DC power are not present while the "Electric Heating Element Status" and "Heating Status" indicator lights on the electronic controller are illuminated, follow the instructions in this manual to replace the electronic controller.

4. If 12 Volts of DC power are present at the relay, complete the following follow the troubleshooting section for the Right A.C. Relay in this section.
5. Verify that the electric heating element is receiving adequate AC power by completing the following:
 - A. Remove the AC access cover.
 - B. Plug the Coach into shore power/turn generator on.

- C. Using an AC voltmeter, verify that 110 volts of AC power are present at the terminal block reference figure 20. If there is not 110 VAC present at the terminal block for the right electric element, there is a problem inside the motor home.
- D. Using an amp-meter, verify that approximately 17 amps are present at the element's wires.
- E. Check the electric element's wires for continuity by completing the following:
- Disconnect the motor home from shore power/shut off generator.
 - Disconnect the wires from the electric heating element.
 - Disconnect the wires from the AC terminal block.
 - With the wires disconnected, check each individual wire for continuity.
6. Check the electric heating element for functionality by completing the following:
- Disconnect all power supplies.
 - Remove the Electric Element access cover.
 - Remove all wires from the electric heating element.
 - Using an ohmmeter, check the electric heating element for the proper ohms reading: 8-9 ohms.
- If the ohms reading is not within spec, follow the instructions in this section to replace the electric heating element.
- Ensure that the Aqua-Hot has been completely shut down and that all power sources have been disconnected. Also, because this replacement procedure will involve the boiler tank and the potential for hot coolant, be sure the heater has adequately cooled.
 - Drain the antifreeze and water heating solution from the Aqua-Hot's boiler tank using the drain valve.
 - Remove the Electric Element access cover.
 - Remove the two wires secured to the defective electric heating element by releasing the screw terminals.
 - Using a 1-1/2 inch socket, remove the defective electric heating element from the Aqua-Hot's boiler tank.
 - Install the replacement 2000-watt electric heating element into the boiler tank ensuring that the "up" lettering on the element is installed in the up position.
 - Connect the wires removed from the defective electric heating element to the replacement electric heating element and tighten the screw terminals.
 - Reinstall the Electric Element access cover.
 - Refill the Aqua-Hot's boiler tank with the antifreeze and water heating solution.

Replacement Procedure:

⚠ DANGER! ⚠

FAILURE TO DISCONNECT ALL POWER SUPPLIES AND/OR TO ALLOW THE HEATER TO COOL BEFORE SERVICING COULD CAUSE SERIOUS DAMAGE OR PERSONAL INJURY.

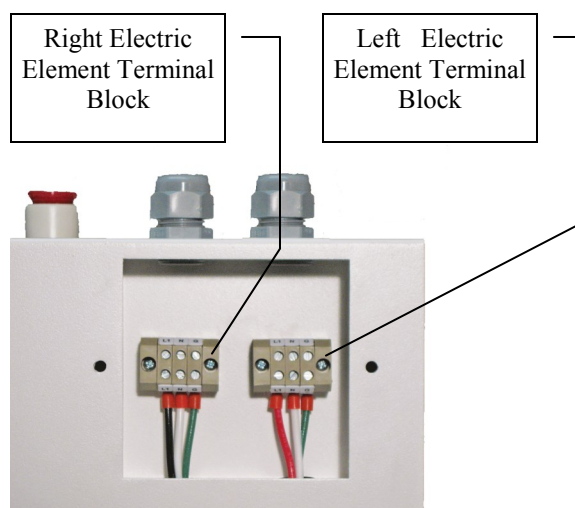


Figure 20

Electrical - AC

Electric Heating Element: Left

CAUTION:

There are two different Models in the Aqua-Hot 600 Series. The Aqua-Hot 600 has 2-2000 Watt 120 VAC electric heating elements. The Aqua-Hot 675 has 1-2000 Watt 120 VAC electric heating element (Right), and 1-4500 Watt 240 VAC electric heating element (Left)

The electric heating element uses AC power as an alternate power source for heating the Aqua-Hot's boiler tank.

Troubleshoot the left electric heating element if the following condition has occurred:

- There is a lack of hot domestic water and interior heat when the electric element is selected as the heating source.

Troubleshooting:

NOTE: For continuous domestic hot water to be present, the diesel-burner must be selected also as a heating source.

1. Verify that the motor home is either plugged into shore power or that the generator is running to provide AC power.
2. Verify that both the "Electric Heating Element Status" and the "Heating Status" indicator lights on the electronic controller are illuminated.

If the "Electric Heating Element Status" indicator light on the electronic controller is not illuminated, complete the following:

- A. Verify that the electric element switch on the interior switch panel is on.
- B. Install a jumper wire on the JP2 plug, between pins 52 and 53 ("ELECT-O" and "ELECT-I") on the electronic controller to bypass the electric element switch.

If the "Electric Heating Element Status" indicator light illuminates on the electronic controller with the jumper wire installed, check the Electric Element Switch, on the interior switch panel for functionality.

If the "Electric Heating Element Status" indicator light does not illuminate on the electronic controller with the jumper wire installed, follow the instructions in this manual to replace the electronic controller.

If the "Heating Status" indicator light on the electronic controller is not illuminated, complete the following:

- A. Check the temperature of the Aqua-Hot's boiler tank.
If the boiler tank temperature is below 158°F, troubleshoot the control thermostat.
If the boiler tank is above 158°F, the Aqua-Hot is at operating temperature and requires no heat.

3. Verify the Electronic Controller is sending 12 Volt DC to the A.C. Relay.
 - A. Using a volt meter check pins 11 & 12 ("AC REL -" and "AC REL +") for 12-Volt D.C on the JP3 plug.

If 12 Volts of DC power are not present while the "Electric Heating Element Status" and "Heating Status" indicator lights on the electronic controller are illuminated, follow the instructions in this manual to replace the electronic controller.

4. If 12 Volts of DC power are present at the relay, complete the following: follow the troubleshooting sections for both the right and the Left A.C. Relays in this section.
5. Verify that the electric heating element is receiving adequate AC power by completing the following:
 - A. Remove the VAC access cover.
 - B. Plug the Coach into shore power/turn generator on.

- C. Using an AC voltmeter, verify the presence of AC voltage at the terminal .

NOTE: The Aqua Hot 600 will have 120 VAC present at the terminal block for the left electric element, while the Aqua-hot 675 will have 240 VAC present at the terminal block for the left electric element.

- D. Using an amp-meter, verify that amps are present at the element's wires.
120VAC 2000 Watt = Approximately 17 amps
240VAC 4500 Watt = Approximately 17 amps

- E. Check the electric element's wires for continuity by completing the following:

- a. Disconnect the motor home from shore power/shut off generator.
- b. Disconnect the wires from the electric heating element.
- c. Disconnect the wires from the AC terminal block.
- d. Check the black and white wires at the terminal block for continuity.

4. Check the electric heating element for functionality by completing the following:

- A. Disconnect all power supplies.
- B. Remove the Electric Element access cover.
- C. Remove all wires from the electric heating element.
- D. Using an ohmmeter, check the electric heating element for proper ohm reading
120 VAC 2000 Watt = 8 - 9 ohms
240 VAC 4500 Watt = 12.5 - 13 ohms

If no continuity exists follow the instructions in this section to replace the electric heating element.

Replacement Procedure:



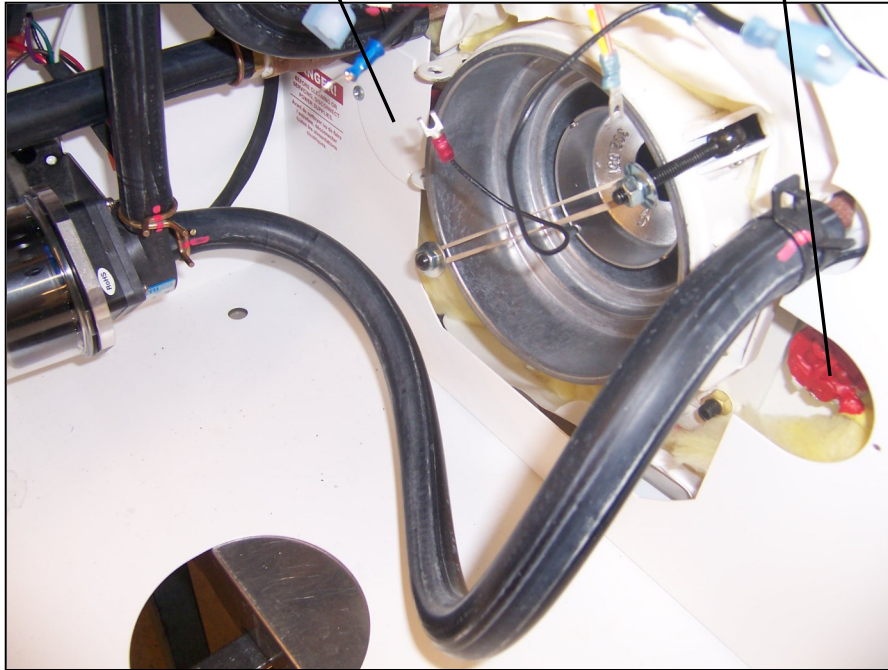
FAILURE TO DISCONNECT ALL POWER SUPPLIES AND/OR TO ALLOW THE HEATER TO COOL BEFORE SERVICING COULD CAUSE SERIOUS DAMAGE OR PERSONAL INJURY.

1. Ensure that the Aqua-Hot has been completely shut down and that all power sources have been disconnected. Also, because this replacement procedure will involve the boiler tank and the potential for hot coolant, be sure the heater has adequately cooled.
2. Drain the antifreeze and water heating solution from the Aqua-Hot's boiler tank using the drain valve.
3. Follow the instructions for detaching the diesel burner in section 9.
4. Remove the Electric Element access cover.
5. Remove the two wires secured to the defective electric heating element by releasing the screw terminals.
6. Using a 1-1/2 inch socket, remove the defective electric heating element from the Aqua-Hot's boiler tank.
7. Install the replacement 2000/4500-watt electric heating element into the boiler tank ensuring that the "up" lettering on the element is installed in the up position.
8. Connect the wires removed from the defective electric heating element to the replacement electric heating element and tighten the screw terminals.
9. Reinstall the Electric Element access cover.
10. Follow the Directions for reattaching the diesel burner in section 9.
11. Refill the Aqua-Hot's boiler tank with the antifreeze and water heating solution.

Figure 21

**Left Electric
Element**

**Right Electric
Element**



AC Relay: Right

The AC relay is an electrical device where the DC circuit from the electronic controller determines whether the AC power is permitted to flow to the electric heating element. This allows the electronic controller to switch the electric heating element on and off in conjunction with the interior switch panel and control thermostat even though the electric heating element is on a separate circuit.

Troubleshoot the Right AC relay if the following condition has occurred:

- The Right electric heating element fails to operate.

Troubleshooting:

1. Disconnect the AC power source to the motor home (unplugging from shore power or shutting off the generator).
2. Turn the electric element switch on the interior switch panel on and check the electronic controller to ensure that the “Electric Heating Element Status” and the “Heating Status” indicator lights are illuminated.
3. Using a voltmeter, check pins 11 and 12 (“AC Relay +” and “AC Relay-”) on the JP3 plug for 12 Volts-DC.

If 12 Volts of DC power are not present while the “Electric Heating Element Status” and “Heating Status” indicator lights on the electronic controller are illuminated, follow the instructions in this manual to replace the electronic controller.

If 12 Volts of DC power are present, complete the following:

- A. Locate the AC wires connected to the AC relay (pins 2 and 4), and remove the AC wires from the relay.
- B. Using an ohmmeter, check the relay AC pins (2 and 4) for continuity.

If no continuity exists, follow the instructions in this section to replace the AC relay.

Replacement Procedure:

⚠ DANGER! ⚠

FAILURE TO DISCONNECT ALL POWER SUPPLIES AND/OR TO ALLOW THE HEATER TO COOL BEFORE SERVICING COULD CAUSE SERIOUS DAMAGE OR PERSONAL INJURY.

1. Ensure that the Aqua-Hot has been completely shut down and that all power sources have been disconnected.
2. Also, ensure that the motor home is not connected to shore power and that a generator is not connected during this replacement procedure.
3. Remove the Thermostat Access Cover.
4. Release the wires from the defective AC relay by removing the corresponding screw terminals.
5. Remove the defective relay by drilling the rivets that hold the defective relay in place.
6. Rivet the replacement AC relay to the AC access cover.
7. Using the wiring diagram in Appendix A, connect the wires previously removed to the replacement AC relay.
8. Reinstall the Thermostat Access cover.

AC Relay: Left

The AC relay is an electrical device where the DC circuit from the electronic controller determines whether the AC power is permitted to flow to the electric heating element. This allows the electronic controller to switch the electric heating element on and off in conjunction with the interior switch panel and control thermostat even though the electric heating element is on a separate circuit.

Troubleshoot the Left AC relay if the following condition has occurred:

- The Left electric heating element fails to operate.

Troubleshooting:

CAUTION:

There are two different Models in the Aqua-Hot 600 Series. The Aqua-Hot 600 has 2-2000 Watt 120 VAC electric heating elements. The Aqua-Hot 675 has 1-2000 Watt 120 VAC electric heating element (Right), and 1-4500 Watt 240 VAC electric heating element (Left)

1. Disconnect the AC power source to the motor home (unplugging from shore power or shutting off the generator).
2. Turn the both the electric element switch on the interior switch panel on and turn the High/Low Switch to the High position, and check the electronic controller to ensure that the “Electric Heating Element Status” and the “Heating Status” indicator lights are illuminated.
3. Using a voltmeter, check pins 11 and 12 (“AC Relay +” and “AC Relay-”) on the JP3 plug for 12 Volts-DC.

If 12 Volts of DC power are not present while the “Electric Heating Element Status” and “Heating Status” indicator lights on the electronic controller are illuminated, follow the instructions in this manual to replace the electronic controller.

If 12 Volts of DC power are present, complete the following:

- A. Locate the AC relay for the Right electric heating element.
- B. Check pins #1 for 12VDC +.

- C. Locate the Left AC relay and check pin #1 for 12VDC +.

If no 12VDC is present on the left relay, but there is 12VDC on the right relay troubleshoot the High/Low switch.

- A. Locate the switch panel inside the motor home.
- B. Remove the switch panel.
- C. Locate the wires for the High/Low Switch.
- D. Using a Voltmeter Verify 12VDC + on pin #1. If voltage is present, turn the switch on, and verify 12VDC + on pin #2. If no voltage is present on pin #2, with the High/Low switch in the High position, the switch will need to be replaced.
- D. Locate the AC wires connected to the AC relay (pins 6 and 8), and remove the AC wires from the relay.
- E. Using an ohmmeter, check the relay AC pins (6 and 8) for continuity.

If no continuity exists, follow the instructions in this section to replace the AC relay.

Replacement Procedure:

⚠ DANGER! ⚠

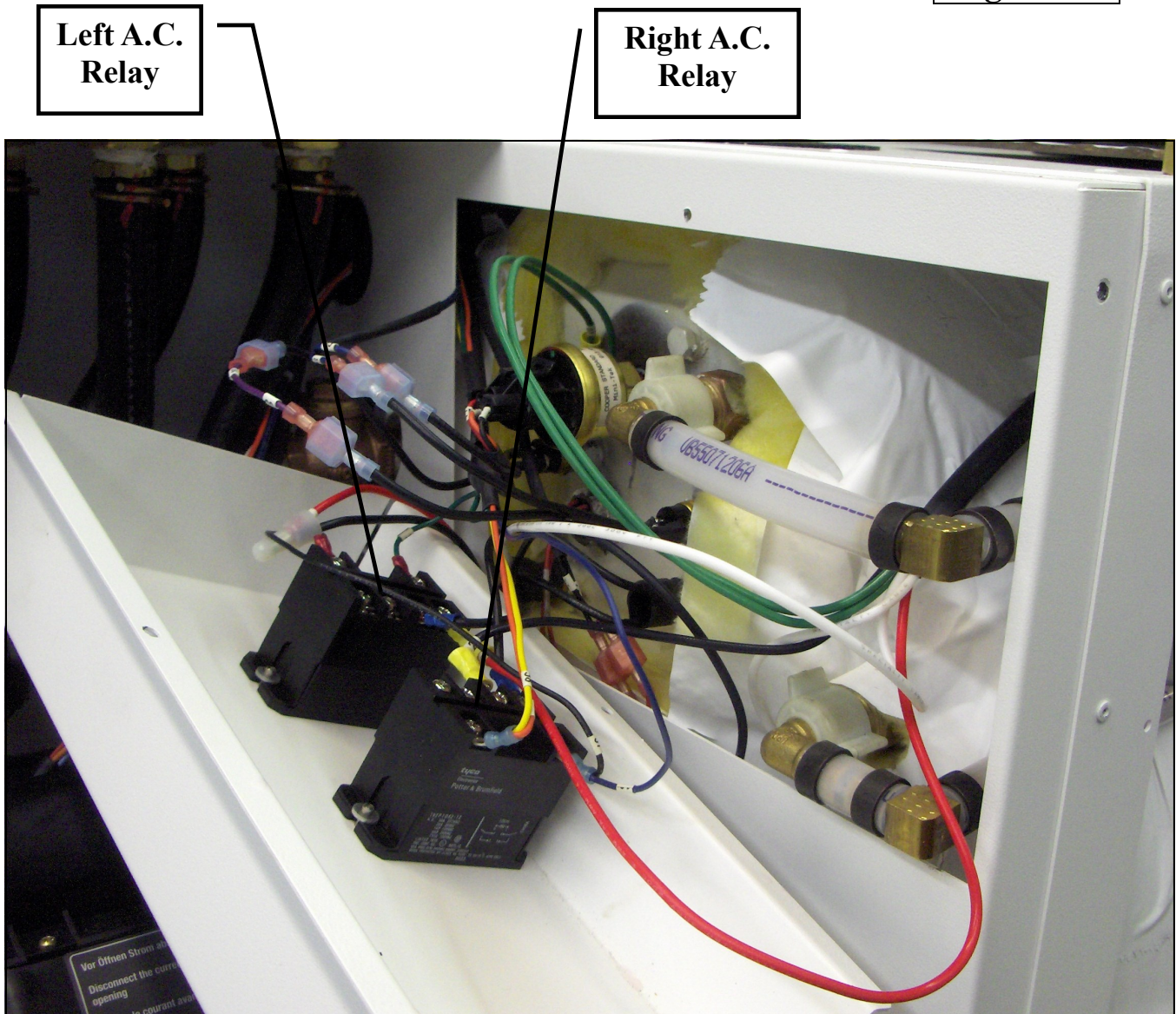
FAILURE TO DISCONNECT ALL POWER SUPPLIES AND/OR TO ALLOW THE HEATER TO COOL BEFORE SERVICING COULD CAUSE SERIUOS DAMAGE OR PERSONAL INJURY.

1. Ensure that the Aqua-Hot has been completely shut down and that all power sources have been disconnected.
2. Also, ensure that the motor home is not connected to shore power and that a generator is not connected during this replacement procedure.
3. Remove the Thermostat Access cover.
4. Release the wires from the defective AC relay by removing the corresponding screw terminals.
5. Remove the defective relay by drilling the rivets that hold the defective relay in place.
6. Rivet the replacement AC relay to the AC access cover.

AC Relay: Left (Continued)

7. Using the wiring diagram in Appendix A, connect the wires previously removed to the replacement AC relay.
8. Secure the Thermostat Access cover in place

Figure 21

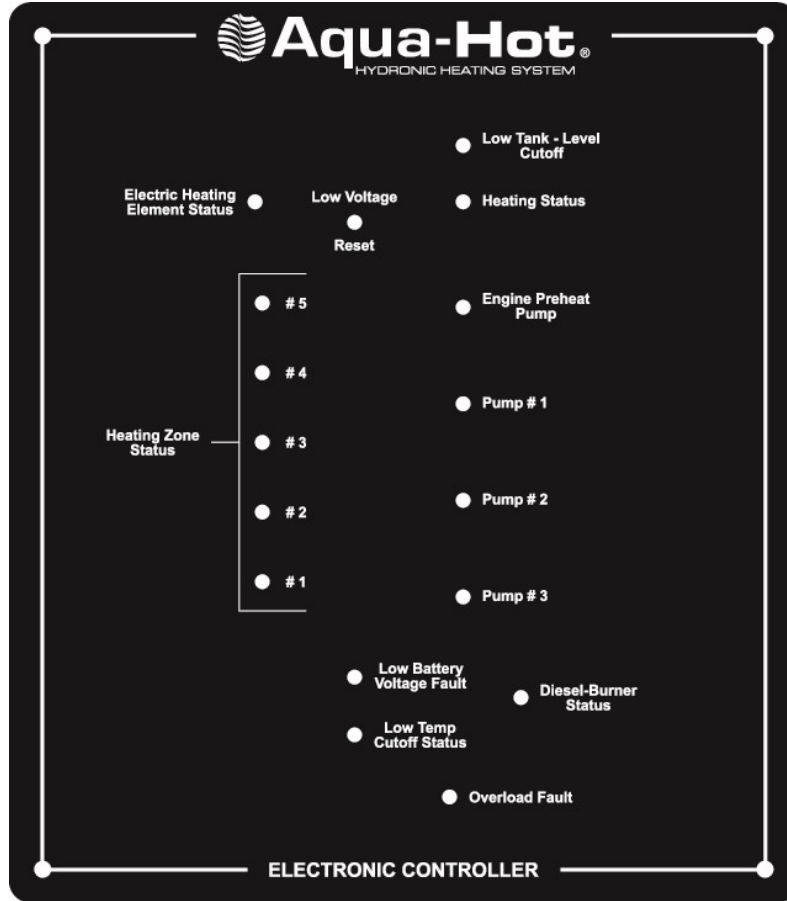


Electronic Controller Overview

The electronic controller is an electronic circuit board that controls the electrical functions of the Aqua-Hot heating system. All wiring for the switch panel is connected to the electronic controller, as well as the wiring circuitry from the

Aqua-Hot unit. Indicator lights on the front panel will illuminate red if there is a short circuit, overload, or fault condition within the system. It also will indicate when circuits are functioning properly with a green indicator light.

Figure 22



Electronic Controller General Facts

Nominal input voltage range 10.6V to 15V
 Idle current Approx. 15mA
 Low voltage cutoff threshold 10.0V
 Under voltage lockout delay..... Approx. 5 minutes

Input Load Currents

Zone thermostats (each) Approx. 4mA
 Diesel-Burner switch..... Approx. 12mA
 Electric Element switch..... Approx. 4mA
 Engine Preheat switch Approx. 4mA
 Low-level cutoff switch..... Approx. 10mA
 Control Thermostat Approx. 8mA
 Low-temperature cutoff switch Approx. 5mA

Output Current Capacity

Zone fans (each) 2.0A max.
 Circulation pumps (each) 2.0A max.
 Engine preheat pump 2.0A max.
 AC relay 500mA max.
 B4+ burner (Webasto) power **6.0A max.**
 B1+ burner master control 2.0A max.
 C1/C7 burner thermostat control 1.0A max.

Electronic Controller Features

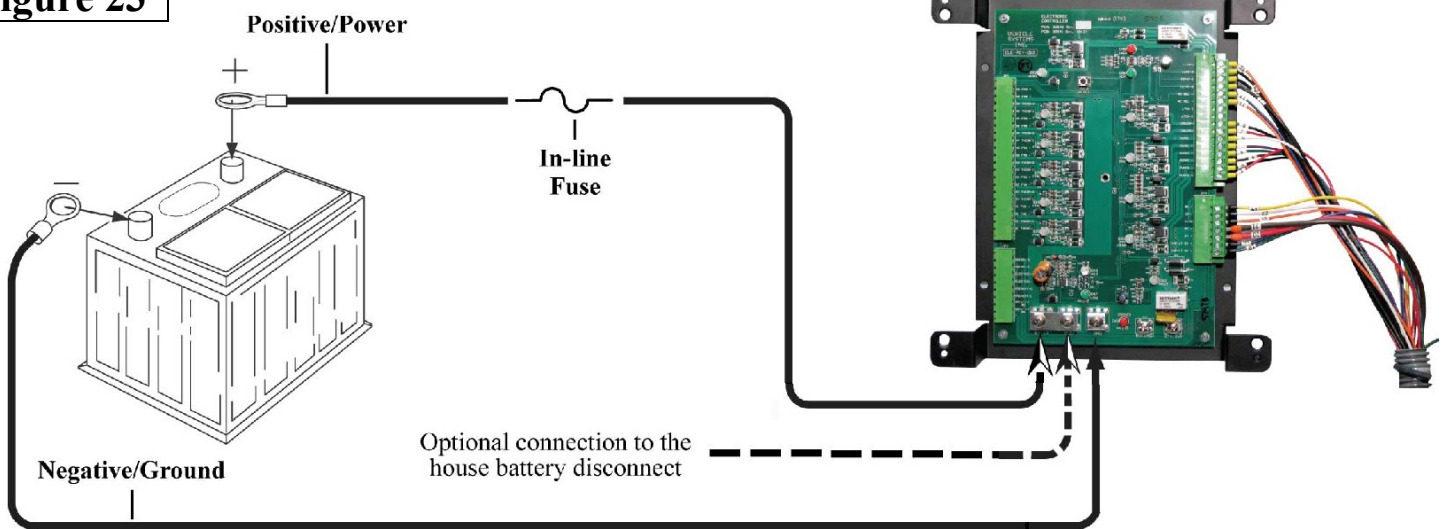
Secondary 12 Volt-DC Battery Connection:

The electronic controller is equipped with two 12 Volt-DC power source connections, which allow for a secondary 12 Volt-DC battery connection. This 12 Volt-DC battery connection is a product-safety feature that should be utilized whenever the Aqua-Hot's main 12 Volt-DC power supply is connected to a battery disconnect switch. This feature will

ensure that the Aqua-Hot will be protected in the event that the primary power is interrupted while the diesel-burner is operating (e.g., during a burn-cycle). This secondary 12 Volt-DC battery connection will ensure completion of the required 3-minute "purge cycle" of the Aqua-Hot's diesel-burner.

NOTE: If the optional power connection is used, remove the jumper plate from the two power terminals - "JP5" and "JP8".

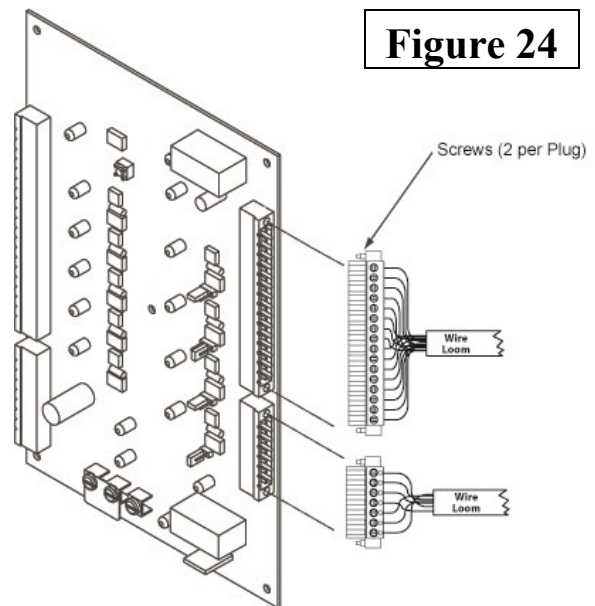
Figure 23



Terminal Strips with Screw-Type Fasteners:

The electronic controller uses terminal strips/plugs that are equipped with screw-type fasteners, which are molded directly into the terminal strip/plug, itself. This will ensure a positive mechanical connection between the electronic controller and all wire harnesses attached to it.

Figure 24



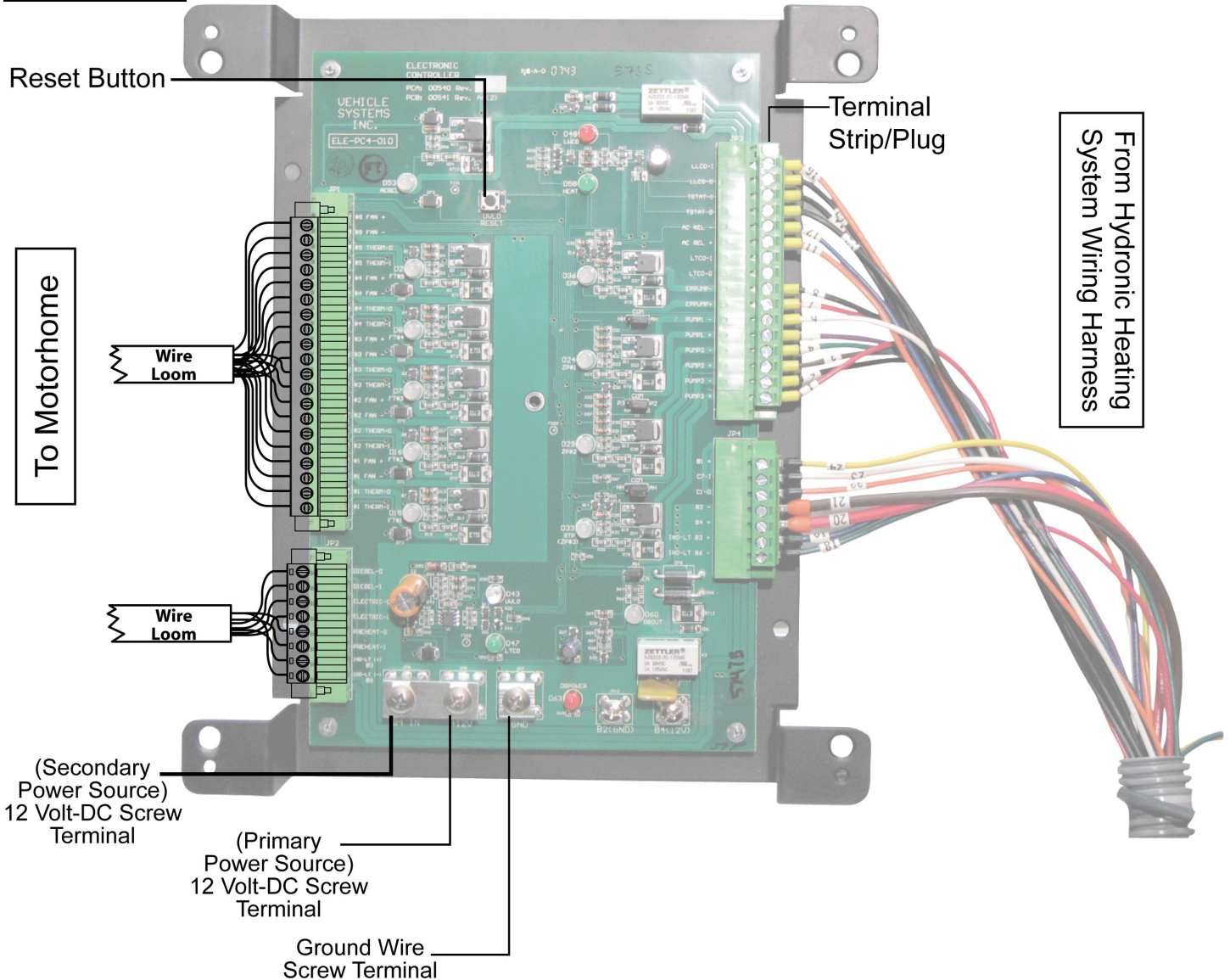
Low-Voltage Reset Feature:

Whenever the Aqua-Hot's DC power is interrupted, for longer than 5 minutes, the "low battery voltage fault" red indicator light on the electronic controller will illuminate. Reset the electronic controller by pressing the "low voltage reset"

button on the electronic controller (use a thin, straight, non-metallic object to access the button through the faceplate) or by turning off the diesel-burner switch on the interior switch panel for approximately 30 seconds, then turning the switch back on.

Figure 25

Electronic Controller Board



Replacement Procedure:

⚠ DANGER! ⚠

FAILURE TO DISCONNECT ALL POWER SUPPLIES AND/OR TO ALLOW THE HEATER TO COOL BEFORE SERVICING COULD CAUSE SERIOUS DAMAGE OR PERSONAL INJURY.

1. Ensure that the Aqua-Hot has been completely shut down and that all power sources have been disconnected.
2. Remove the faceplate from the electronic controller by removing the four screws securing it to the mounting bracket.
3. Disconnect the positive, negative, and secondary power (if applicable) wires from the electronic controller.
4. Disconnect the four terminal strips/plugs from the electronic controller by loosening the screws on each strip/plug and pulling each strip/plug away from the electronic controller.
5. Remove the electronic controller from the mounting bracket by unsnapping each corner.

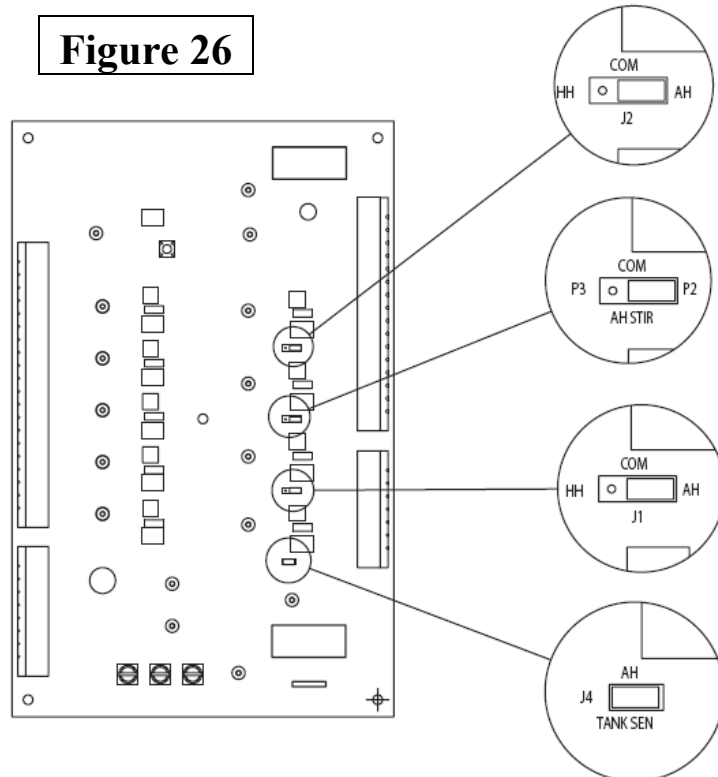
6. Snap the replacement electronic controller into the mounting bracket.
7. Ensure that the pin jumpers are properly configured for an Aqua-Hot 600; reference information in this section for proper pin-jumper configuration. Reference Figure 26.
8. Install each terminal strip/plug back onto the electronic controller and tighten the screws on the terminal strips/plugs to secure them to the controller.

NOTE: Check the terminal strips/plugs for loose wires and tighten if loose.

9. Connect the ground wire followed by the main 12 Volt-DC power wire, then the secondary power wire (if applicable) to the appropriate screw terminals on the replacement electronic controller board. Reference Appendix A for additional wiring information.
10. Reinstall the faceplate onto the electronic controller and secure with the four screws previously removed.

Proper Pin Jumper Configuration:

1. Verify that the pin jumpers are configured as in the illustration in this section. If the pin jumpers do not match the illustration, the Aqua-Hot 600 will not function properly.
2. If the jumper pins need to be reconfigured, simply tug gently on the black cap covering the pins to pull the black cap off.
3. Reseat the cap on the pins appropriately as per the illustration.



Electric Heating Element Status

NOTE: The Electric Heating Element Status indicator light does not indicate AC Voltage at the Electric element. It only indicates the status of the “DC” Side of the Electric element, i.e. interior switch, electronic control board, relay.

This indicator light shows the status of the electric heating element by illuminating green for on, red for fault, or by turning off when the electric element switch is turned off.

If the light is off and the electric element switch on the interior switch panel is off, then the system is functioning correctly. If the indicator light is green and the electric element switch on the interior switch panel is on, the system is also functioning correctly.

If the light is red and the electric element switch on the interior switch panel is on, then there is a short in the electric element circuit. This could be due to a bad connection, a bad switch on the interior switch panel, or an issue with the AC relay.

Heating Zone Status (1-5)

NOTE: The Low-Temp Cut-Off light must be illuminated for the Heating Zones to be activated.

These lights indicate the status of each of the motor home’s room thermostat and the respective heat exchanger fan (s). The indicator light will illuminate green when the system is on and functioning properly, red when on and not functioning, and the light will be off when the system is off.

If a fault condition occurs, this could be due to a wiring issue, a faulty thermostat, or issues with the heat exchanger fans.

Low Battery Voltage Fault

This indicator light illuminates red when the DC voltage is below 10.5 Volts for Longer than 5 minutes, and it will be off when the system has adequate voltage.

If the light becomes red, the switch may be reset (after restoring voltage) by pressing the *Low Voltage Reset Button* on the electronic controller with a long, thin, nonmetallic object, or by turning the diesel-burner switch on the interior switch panel off for 30 seconds, then turning it back on.

Low-Temp Cutoff Status

The Low Temp Cutoff thermostat does not function on the Aqua-Hot 600 series. Therefore the Low-Temp Cutoff thermostat has been bypassed with the bottom jumper pin, on the Electronic Controller, and therefore the Low Temp Cutoff Status light will always be illuminated.

Low Tank-Level Cutoff

The Low Tank-Level Cutoff is controlled by the fluid level sensor that senses the level of antifreeze in the Boiler Tank, and will shut the Diesel-Burner and the Electric Heating element OFF, when the light illuminates red.

Under normal operating conditions, this light will not be illuminated because an adequate level of antifreeze and water heating solution within the Aqua-Hot’s Boiler Tank exists.

When illuminated (red only), four possible issues exist - the antifreeze and water heating solution level is inadequate and must be refilled, there is a short in the wiring to the Fluid Level Sensor, the Fluid Level Sensor is not operating properly, or Circulation Pump #3 is shorted out.

Heating Status

This indicator light will illuminate (green only) when the diesel-burner and/or the electric heating element switch on the interior switch panel is on, and the control thermostat in the Aqua-Hot Boiler Tank is calling for heat.

If the heater is functioning and the light is not illuminated, or the heater is not functioning and the light is illuminated, there is an issue with the wiring or one of the components.

Engine Preheat Pump

This indicator light shows the status of the Engine Preheat Pump by illuminating green for on, red for fault, or by turning off when the Engine Preheat Pump is not operating.

The system is functioning correctly when the indicator light is green while the Engine Preheat Switch on the interior switch panel is on, the Electric Element and/or Diesel-Burner switch is on, and the Engine Preheat Pump is operating.

The system is also functioning correctly when the engine preheat switch is off and the engine preheat pump is not operating.

If the light illuminates red when the pump should be functioning, then there is either an issue with the wiring or the Engine Preheat Pump.

Pump #1

This indicator light shows the status of the Circulation Pump that controls the fluid for Heating Zone #1 by illuminating green for on, red for fault, and by turning off when the system is off.

The system is functioning properly if the motor home's interior room thermostat is calling for heat, the pump is operating, and the light is green.

The system is also functioning properly if the pump and light are off and the interior room thermostat is not calling for heat.

If the light is red under any condition, then there is either an issue with the wiring or the circulation pump.

Pump #2

This indicator light shows the status of the circulation pump that controls the fluid for Heating Zones #2, #3, and #4 by illuminating green for on, red for fault, and by turning off when the system is off.

Pump #2 is also the Stir Pump, and will be activated anytime the Diesel-Burner is operating, and heating up the antifreeze solution.

The system is functioning properly if the motor home's interior thermostat is calling for heat, the circulation pump is active, and the indicator light is green.

The system is also functioning properly if the circulation pump and indicator light are off and the thermostat is not calling for heat.

If the light is red under any condition, there is either an issue with the wiring or the circulation pump.

Pump #3

This indicator light shows the status of the circulation pump that controls the fluid for Heating Zone #5 by illuminating green for on, red for fault, and by turning off when the system is off.

The system is functioning properly if the motor home's interior room thermostat is calling for heat, the pump is operating, and the light is green.

The system is also functioning properly if the pump and light are off and the interior room thermostat is not calling for heat.

If the light is red under any condition, then there is either an issue with the wiring or the circulation pump.

Diesel-Burner Status

This indicator light shows the status of the diesel-burner by illuminating green when the diesel-burner switch is on, red for fault, and by turning off when the diesel-burner switch is turned off.

If the diesel-burner switch on the interior switch panel is in the on position, then the indicator light should be illuminated green.

When the Diesel-Burner switch on the interior switch panel is in the off position, the indicator light will not be illuminated.

Diesel-Burner Status (continued)

If the indicator light turns red, there is either a short in the wiring or the diesel-burner is in need of servicing. When checking the wiring, be sure to verify that the diesel-burner controller's harness connectors are completely locked together. Also verify the Photo Eye Wires have not been pinched. Reference section 10 of this manual for additional diesel-burner information.

Overload Fault

This indicator light shows the status of the DC voltage applied to the electronic controller and the Aqua-Hot. Under normal operating conditions, this indicator light is off.

This light illuminates red when the Aqua-Hot is shut down due to excessive DC voltage (over 14.8 Volts) and/or the electronic controller has overheated. Once the excessive voltage issue is resolved, the electronic controller will reset itself.

This light may also illuminate red if one or more of the heater components has a direct short. (i.e. the diesel burner motor, the interior heat exchanger fans, the zone circulation pump, etc.)

Diesel-Burner Overview

The Aqua-Hot’s diesel-burner is a device that ignites a mixture of diesel fuel and air within a controlled setting to serve as a heat source. The flame is established in a combustion chamber within the Aqua-Hot’s boiler tank, and the heat

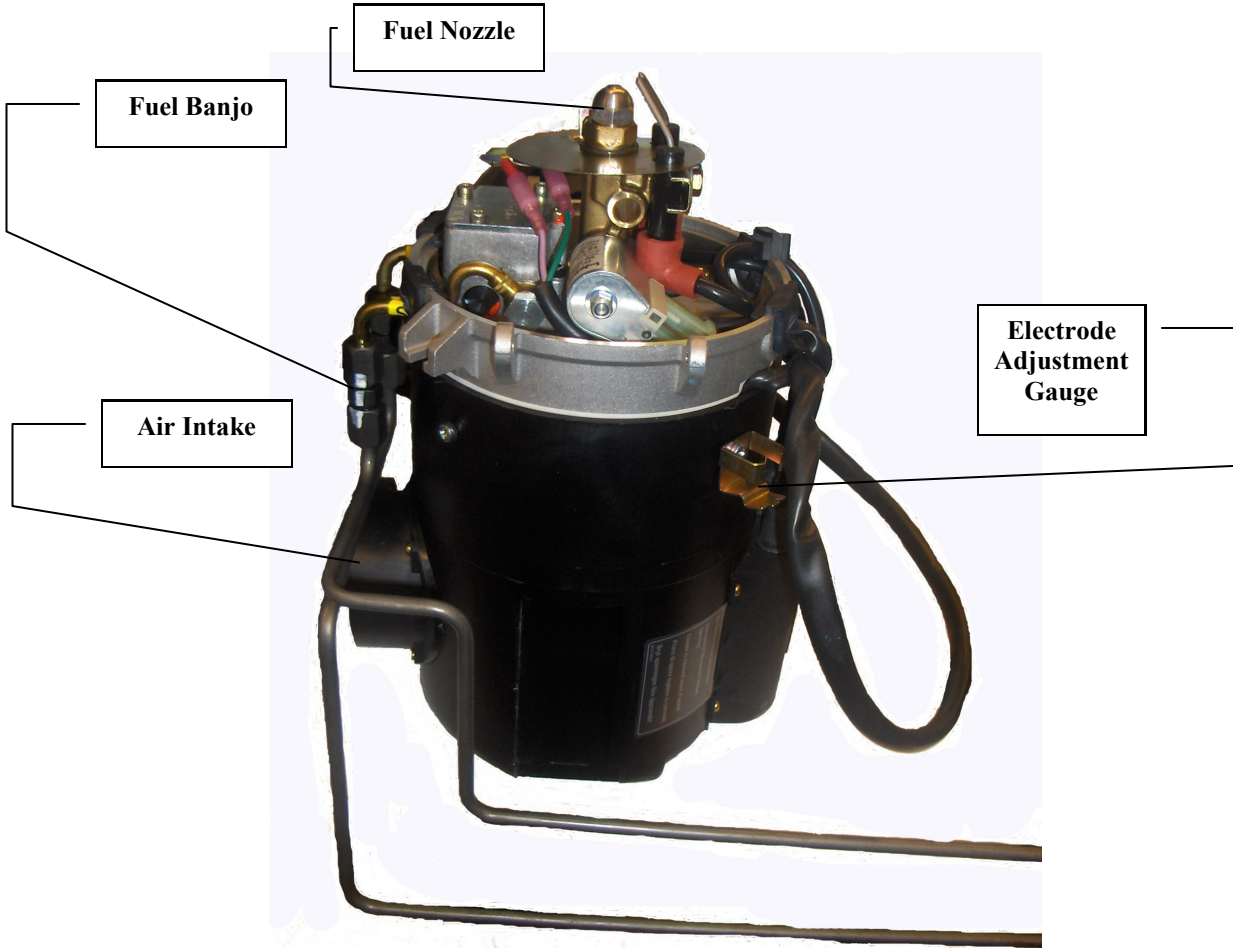
from the flame is transferred to the antifreeze and water heating solution where it can be used for each system of the Aqua-Hot - domestic hot water, interior heat, and engine pre-heat.

Figure 27

Diesel-Burner I.D. Plate

5000015A		Webasto <i>Feel the drive</i>	
Assembled in USA		DBW2010.75	
Heater Model		12V/60W	
Voltage/Power		13.2kW-45000Btu/h	
Output		Diesel No.1/No.2 and Artic	
Fuel Type		2 bar-29PSI	
Max. Operating Pressure		Heater No. 90915E Vers. 75 Serial No. 727107	
[Barcode]		Year of Installation 08 09 10 11 12	

Figure 28



- 1. Diesel-Burner Controller
- 2. Motor
- 3. Ignition Coil
- 4. Clutch
- 5. Combustion Air Blower
- 6. Fuel Solenoid Valve
- 7. Electrode Boots
- 8. Ignition Electrodes
- 9. Fuel Nozzle
- 10. Heat Exchanger
- 11. Combustion Chamber
- 12. Exhaust Port
- 13. Flame Sensor
- 14. Fuel Pump
- 15. Fuel Tubes (Supply / Return)
- 16. Combustion Air Intake Port, with Adjustable Shutter

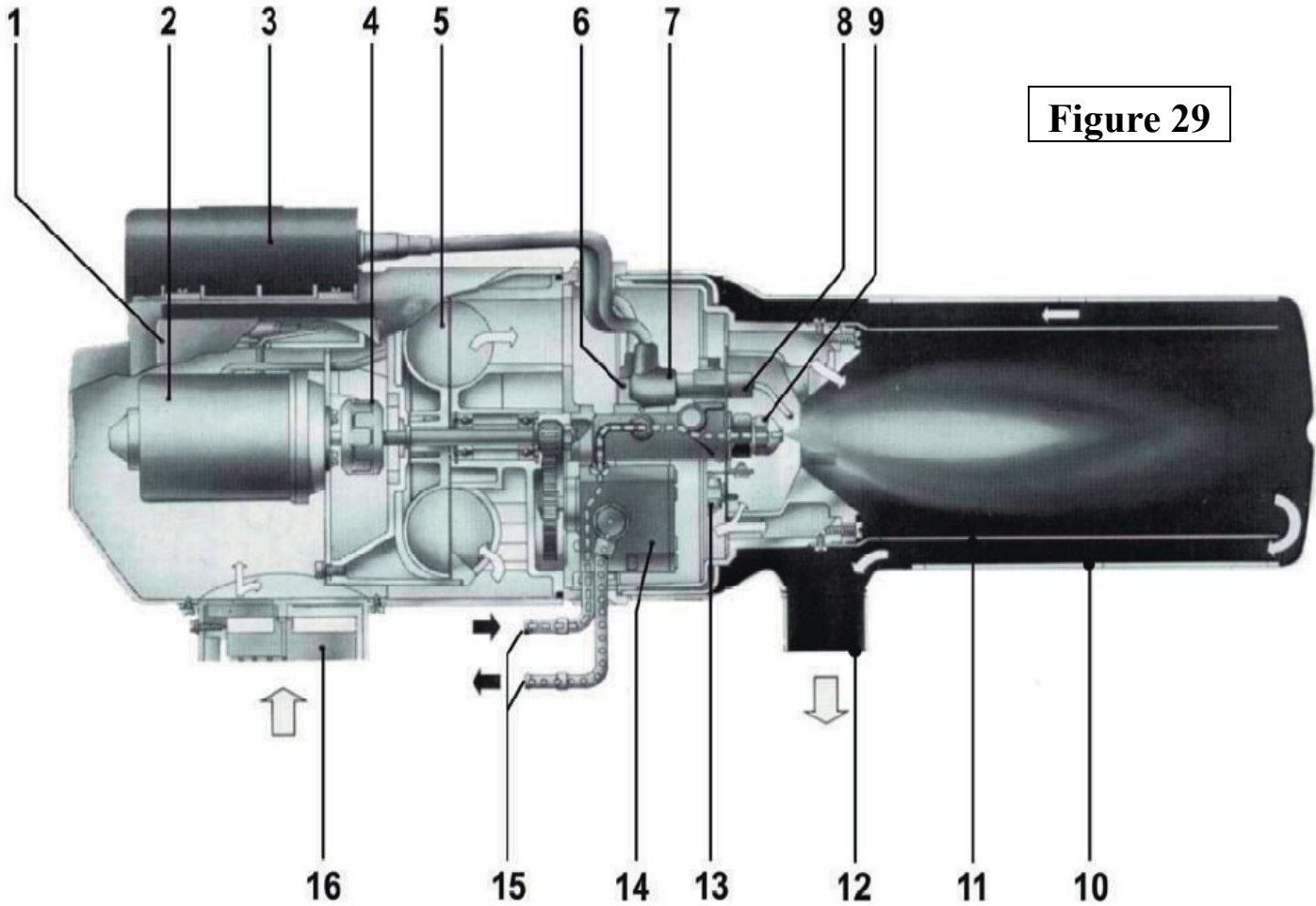


Figure 29

Operational Flow-Chart

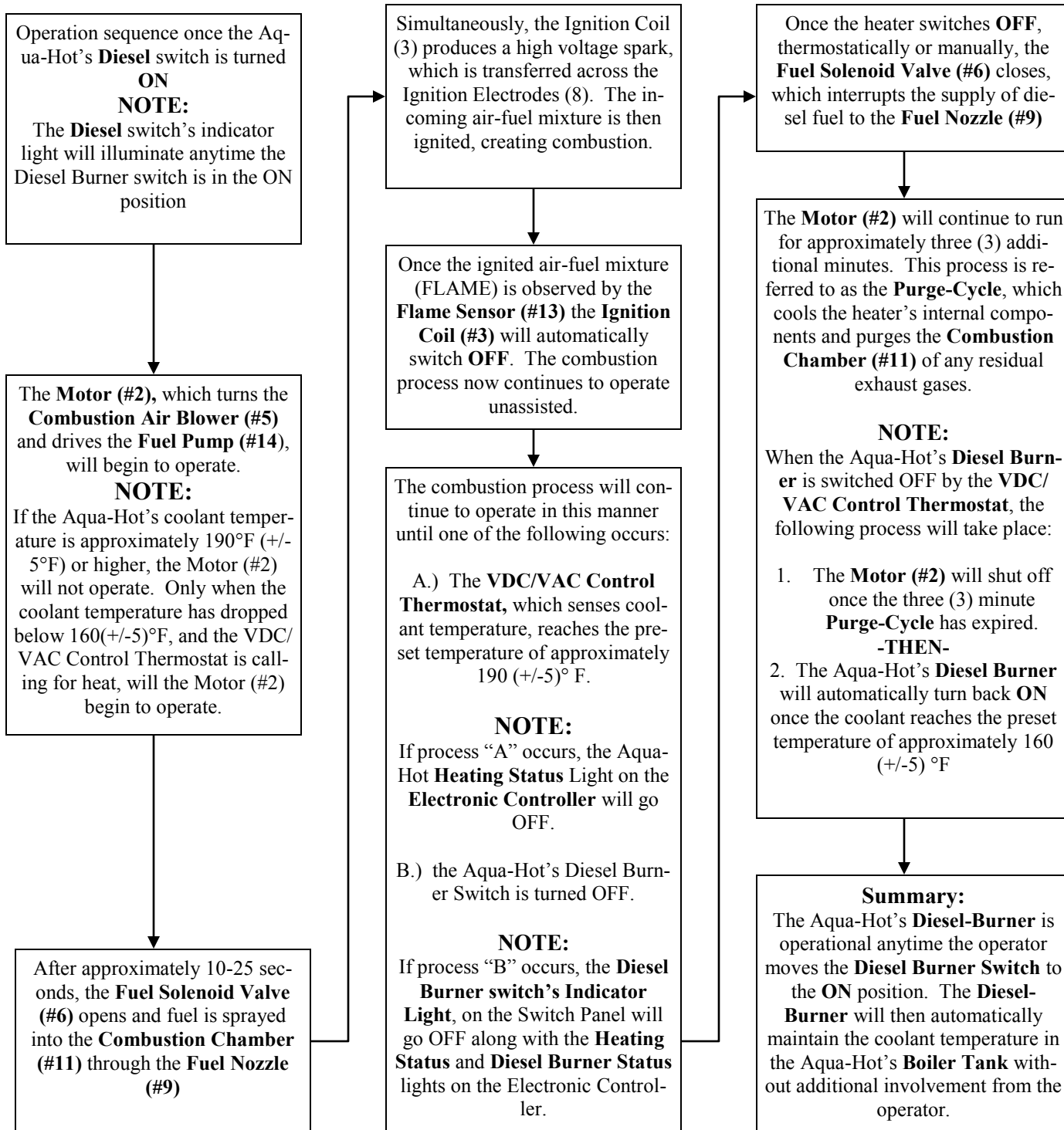


Chart 2

Diesel-Burner Operations:

The following sequence illustrates how the Diesel-Burner operates once it is activated. Also, if diesel-burner malfunctions are experienced, use this sequence of operating events

as a diagnostic tool to determine at what point in the diesel-burner's operation the malfunction is occurring. Use the "KEY" provided to understand each symbol shown.

KEY

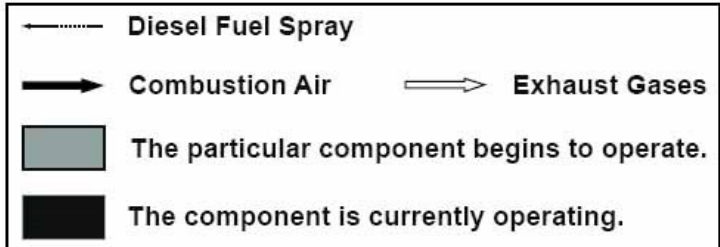
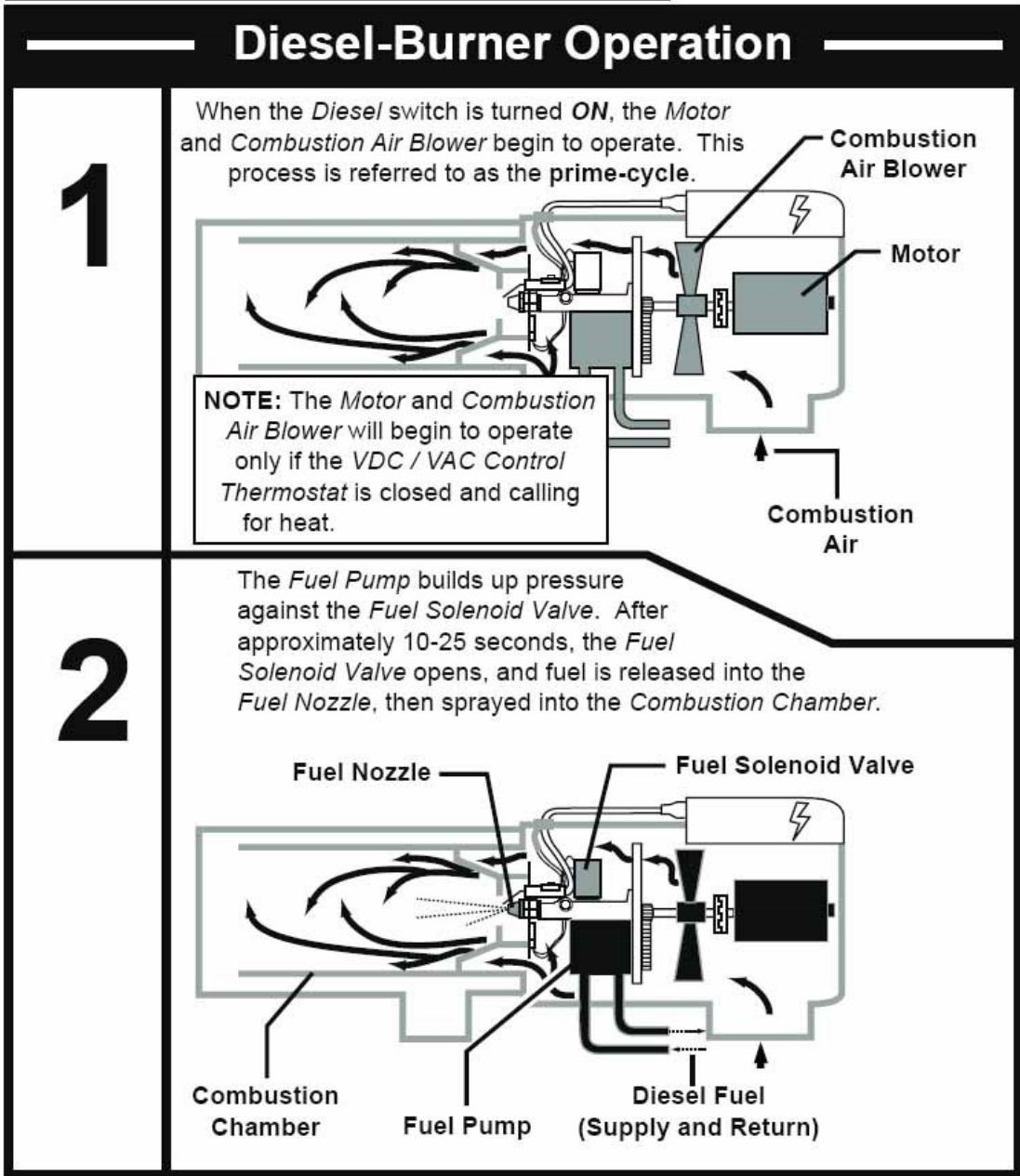


Figure 30



KEY




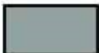

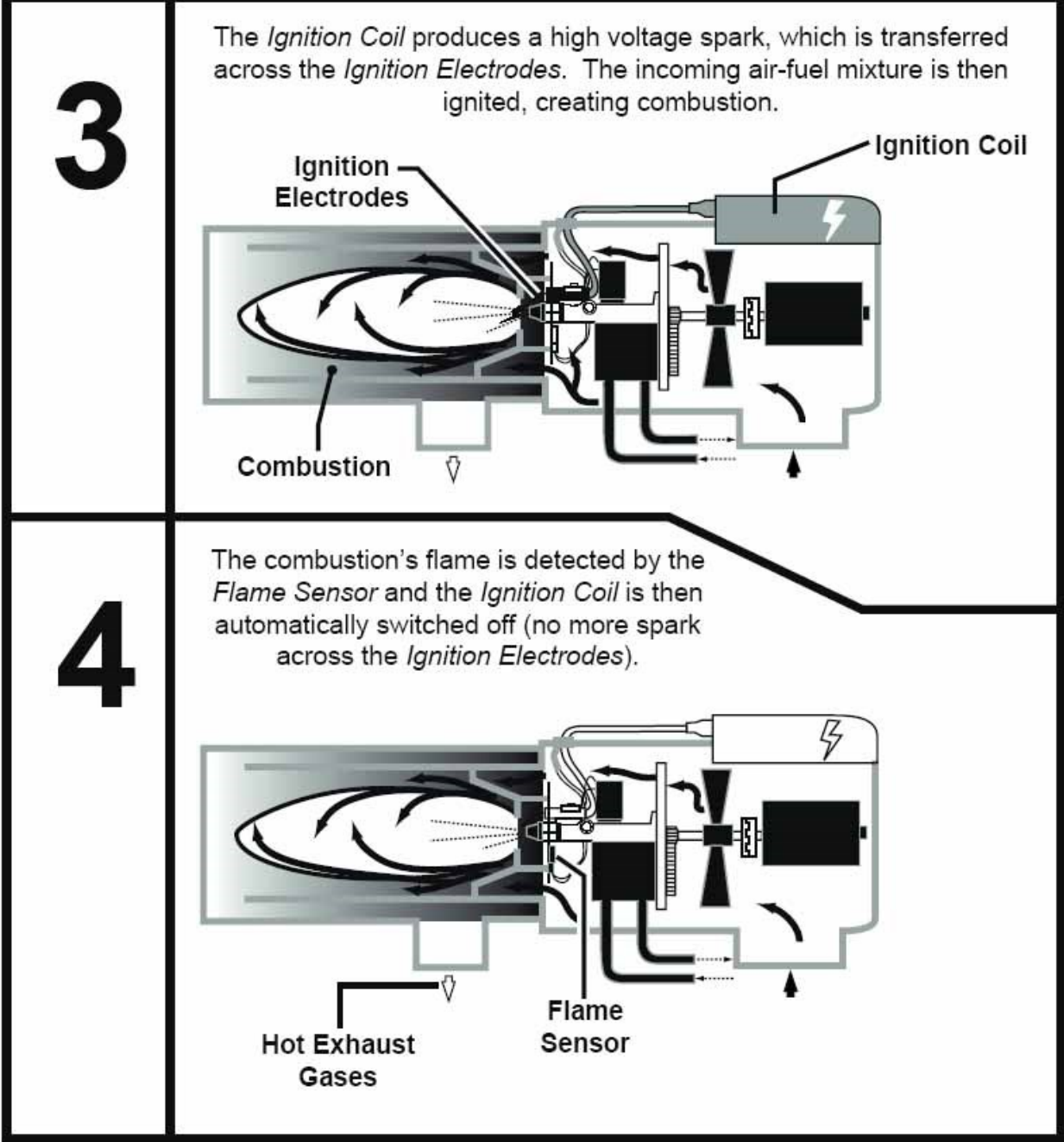
-  Diesel Fuel Spray
-  Combustion Air
-  Exhaust Gases
-  The particular component begins to operate.
-  The component is currently operating.

Figure 31

Diesel-Burner Operation, continued



KEY






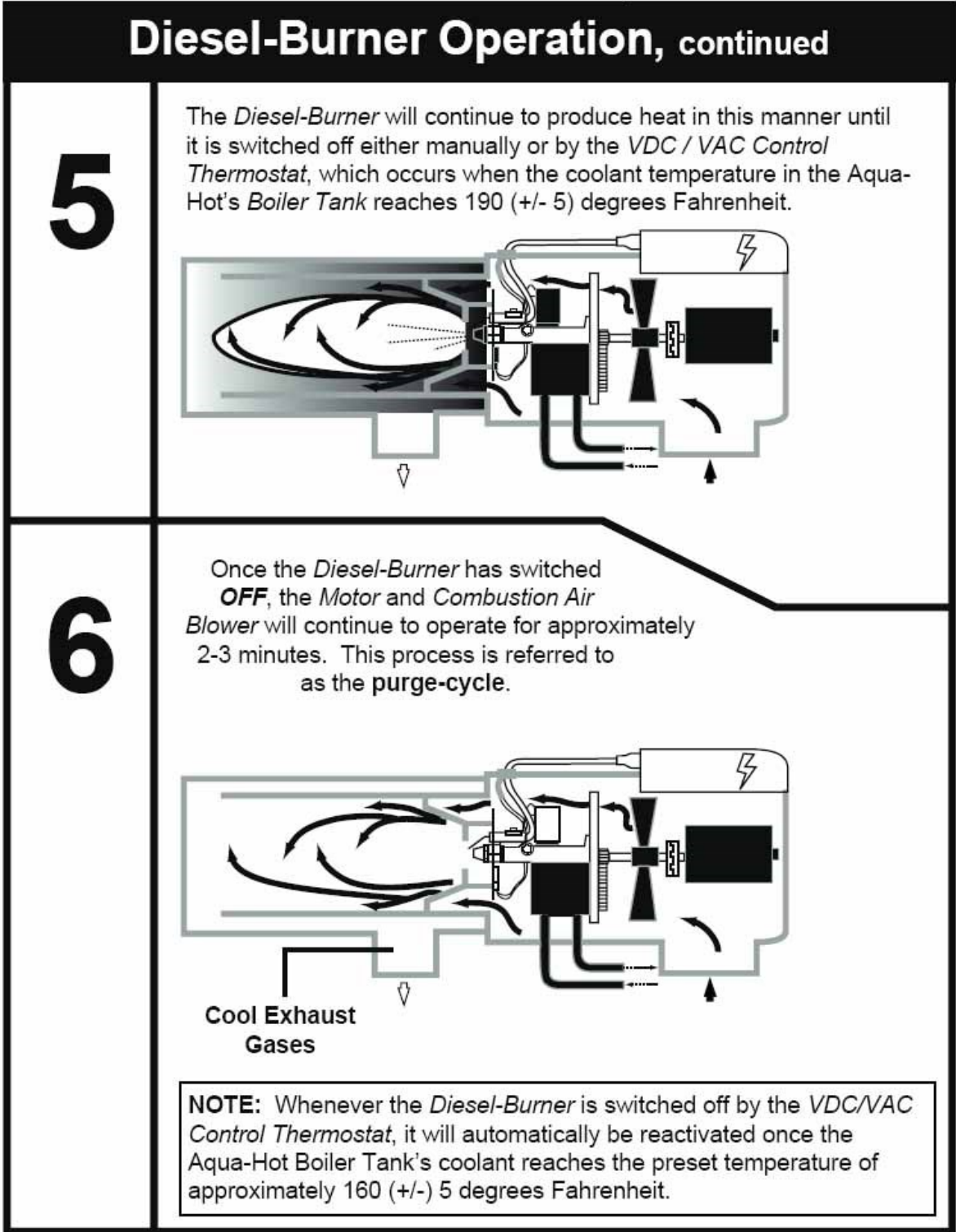
-  Diesel Fuel Spray
-  Combustion Air 
-  The particular component begins to operate.
-  The component is currently operating.

Figure 32



Instructions for Detaching the Diesel Burner

WARNING!

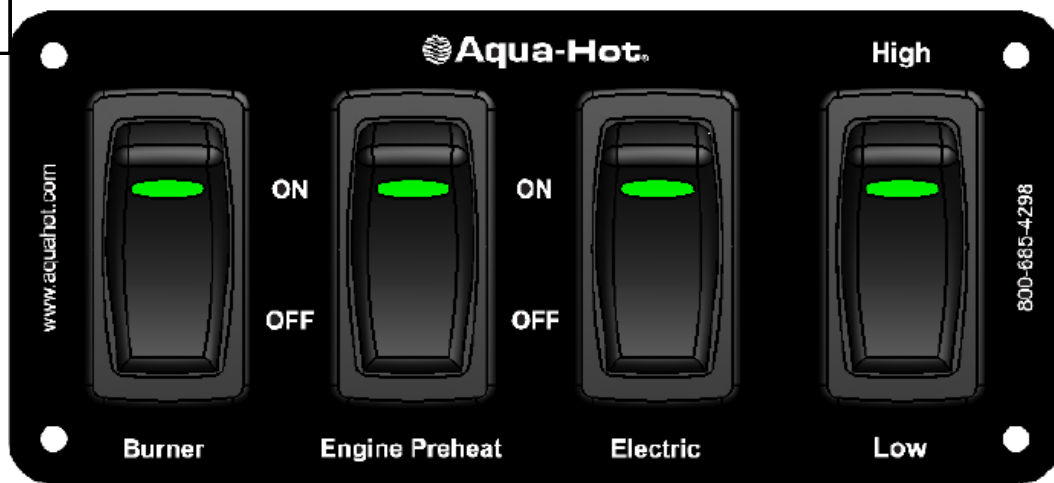
Be sure to move the Diesel-Burner switch on the Interior Switch Panel to the OFF position and disconnect the Diesel-Burner's power supply before detaching the Diesel-Burner from the Aqua-Hot. Failure to turn off the Diesel-Burner and disconnect power could result in serious bodily injury.

CAUTION!

Be sure to clamp off the Fuel Supply and Return lines at the ports on top of the Aqua-Hot prior to beginning this procedure.

Step 1: Turn Off the Diesel Switch

Figure 33



1. Move the Interior Switch Panel's Diesel-Burner switch to the "OFF" position.

Step 2: Remove the Access Cover

Figure 34a

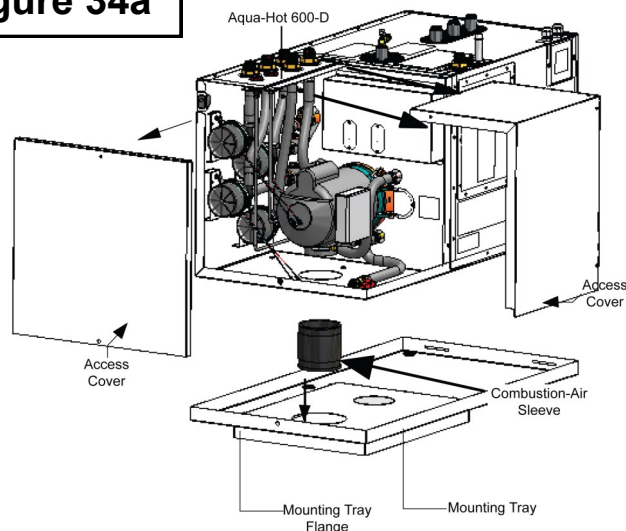


Figure 34b

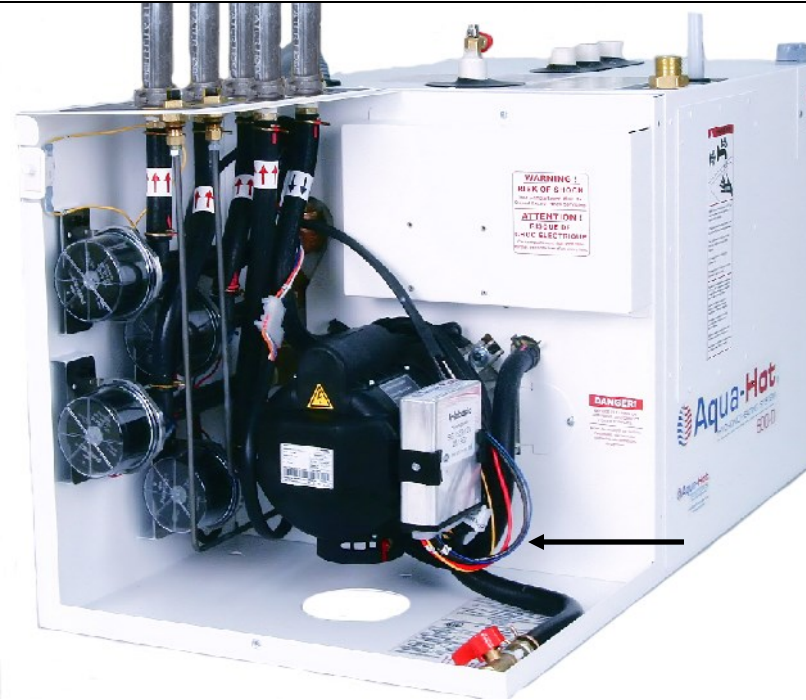


1. Remove the Aqua-Hot's access cover by locating the screws securing it in place.
2. Unscrew the bolt and screws securing the cover in place.

SECTION 9: DETACHING AND REATTACHING THE DIESEL BURNER

Step 3: Disconnect the Diesel Burner's Controller

Figure 35



1. Locate the Diesel-Burner's Controller and disconnect both plugs.

Step 4: Disconnect the fuel lines from the Aqua-Hot

Figure 36a

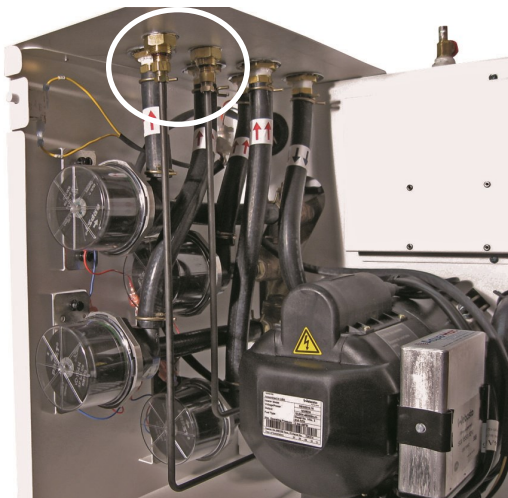


Figure 36b



1. Locate where the fuel lines on the diesel burner connect to the Aqua-Hot Bulkhead fittings.
2. Using an 7/16 wrench, loosen the nuts securing each fuel line to the Aqua-Hot.

SECTION 9: DETACHING AND REATTACHING THE DIESEL BURNER

Step 5: Remove the Diesel Burner from the Aqua-Hot

Figure 37a



Figure 37b



1. The Diesel-Burner is secured to the Aqua-Hot with two nuts that can be loosened, and swung out of the way by using a 10mm socket wrench with a 10 inch long extension.

Figure 37c



2. Carefully pull the Diesel-Burner away from the Aqua-Hot 4 to 5 inches before rotating the burner, and then remove.

SECTION 9: DETACHING AND REATTACHING THE DIESEL BURNER

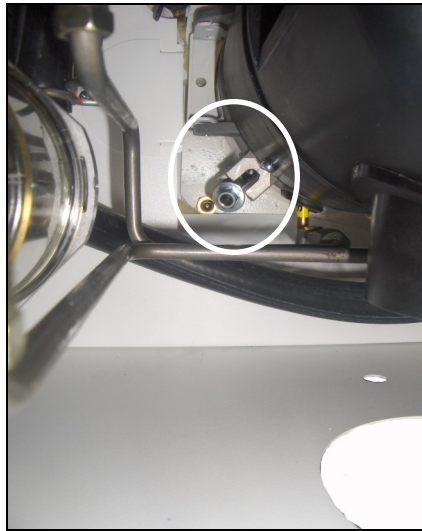
Reattaching the Diesel Burner to the Aqua-Hot

CAUTION!

When reattaching the diesel-burner be sure to properly align the diesel-burner before tightening the eye-bolt nuts. Also, visually inspect all of the rubber grommets on the top and bottom of the diesel-burner's cast-aluminum blower casing to ensure they are in place. **DO NOT** over tighten the eye-bolt nuts. Torque specifications are: approx. 20-40 in. lbs. An improper alignment and/or over tightening of the eye-bolt nuts can cause damage to the diesel-burner's cast aluminum blower casing.

Step 1: Reattaching the Diesel Burner to the Aqua-Hot

Figure 38a

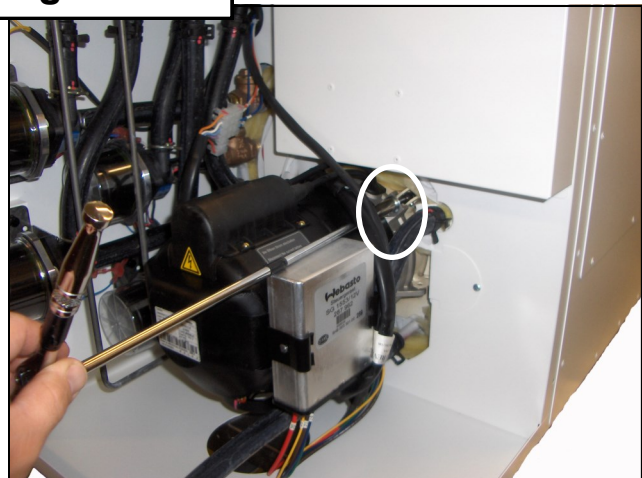


1. The Diesel-Burner is secured to the Aqua-Hot with two eye-bolt nuts that can be swung into place, after the diesel burner has been properly aligned and set in place.

Figure 38b



Figure 38c



2. The eye-bolt nuts can then be tightened by using a 10mm socket wrench with a 10 inch long extension. Use extreme caution when tightening down the eye-bolt nuts, over tightening of the eye-bolt nuts can cause the aluminum blower casing to crack. (Torque Specifications = Approximately 20-40 in. lbs.)

SECTION 9: DETACHING AND REATTACHING THE DIESEL BURNER

Step 2: Reattach the fuel lines to the Aqua-Hot.

Figure 39a

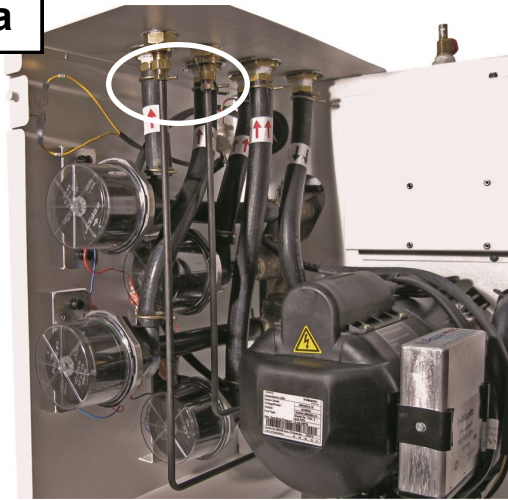
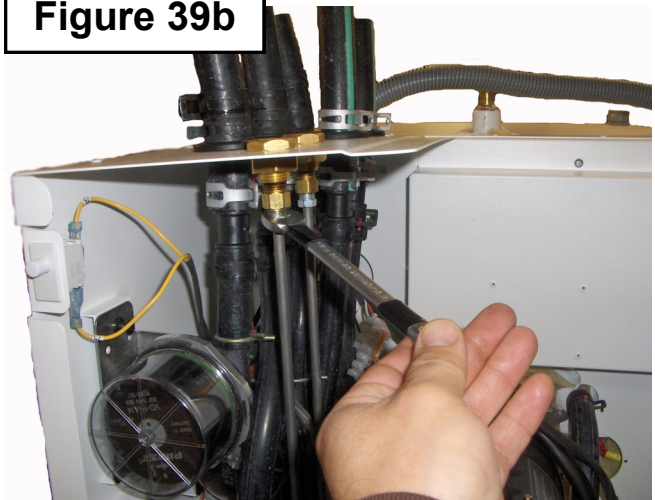


Figure 39b



1. Align the fuel lines on the diesel burner with the fittings on the Aqua-Hot, and using a 7/16 inch wrench, tighten down both the supply and return fuel fittings.

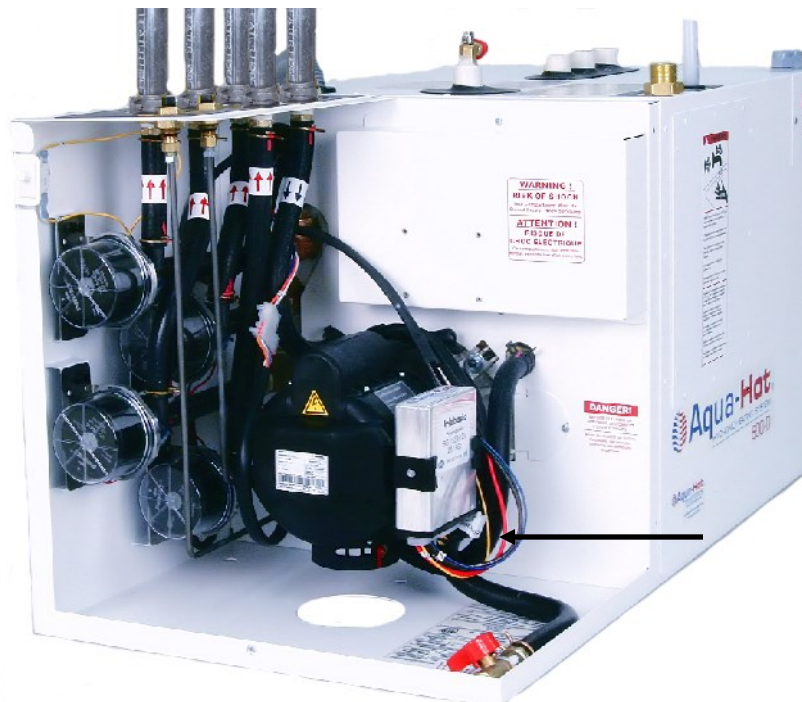
CAUTION!

Be sure to remove the clamps, off of the Fuel Supply and Return lines at the ports on top of the Aqua-Hot prior to starting the diesel burner, or serious damage will occur to the diesel-burner's fuel pump.

Step 3: Plug in the diesel-burner's controller and mount

3. Locate the Diesel-Burner's Controller and connect both plugs.

Figure 40



SECTION 9: DETACHING AND REATTACHING THE DIESEL BURNER

Step 4: Reinstall the Access Cover

NOTE: The access cover must be installed prior to operation as a safety switch exists, which will prevent the Aqua-Hot from operating whenever the access cover is not properly installed.

Figure 41a

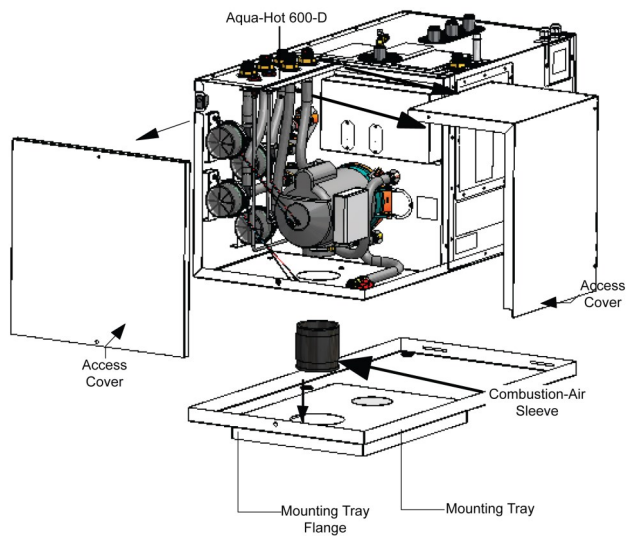


Figure 41b

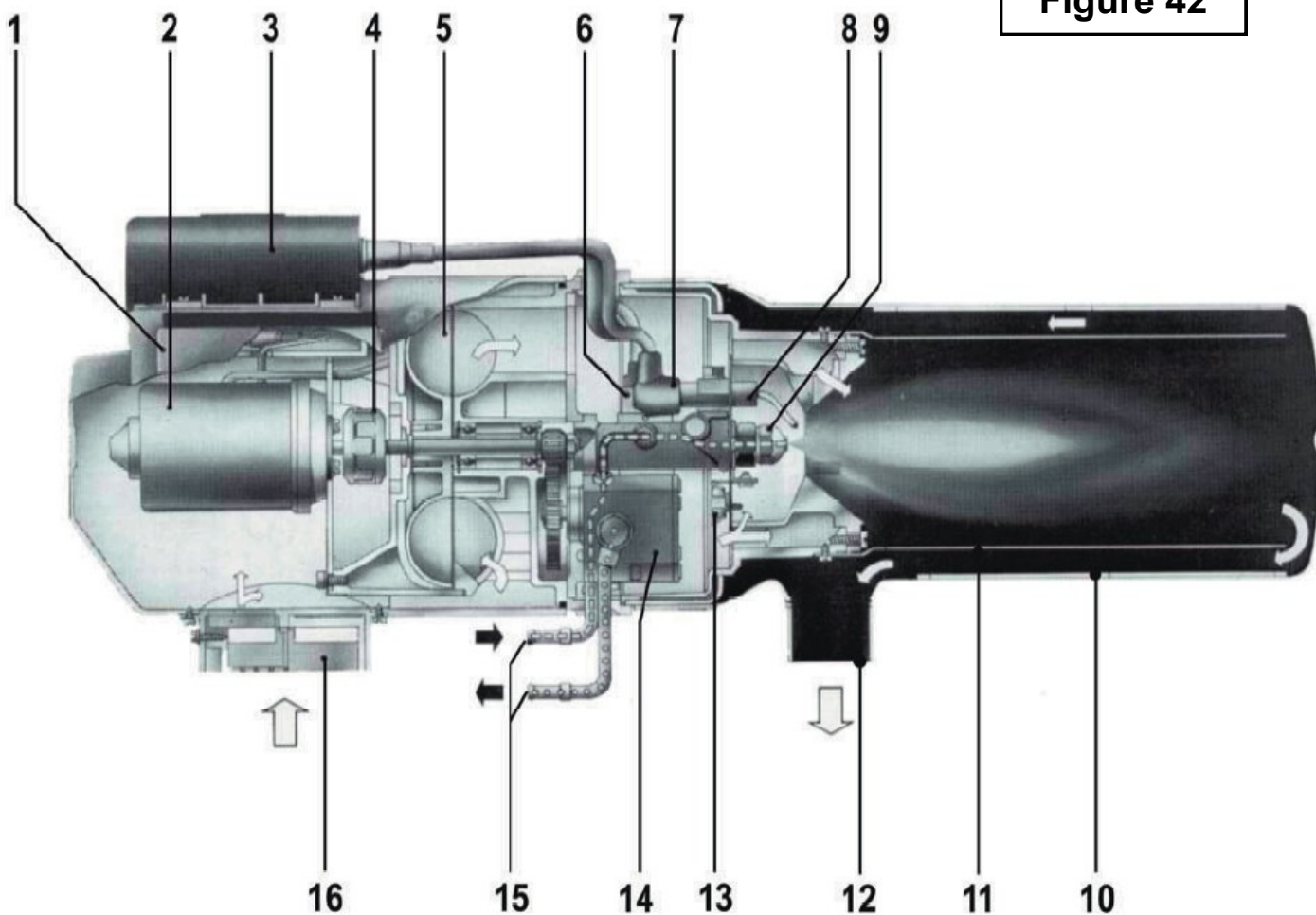


1. Reinstall the Aqua-Hot's access cover .
2. Securely tighten the bolts and screws securing the access cover in place.

SECTION 10: DIESEL-BURNER COMPONENTS

- | | |
|-----------------------------|--|
| 1. Diesel-Burner Controller | 10. Heat Exchanger |
| 2. Motor | 11. Combustion Chamber |
| 3. Ignition Coil | 12. Exhaust Port |
| 4. Clutch | 13. Flame Sensor |
| 5. Combustion Air Blower | 14. Fuel Pump |
| 6. Fuel Solenoid Valve | 15. Fuel Tubes (Supply / Return) |
| 7. Electrode Boots | 16. Combustion Air Intake Port,
with Adjustable Shutter |
| 8. Ignition Electrodes | |
| 9. Fuel Nozzle | |

Figure 42



Diesel-Burner Motor:

The motor drives the combustion air blower and the fuel pump. In order to perform the following procedures, it may be necessary to detach the diesel-burner head.

NOTE: The Aqua-hot 600 Series is equipped with a 20A Fast Blow Fuse, located on the red #20 wire, between the electronic controller and the diesel burner controller's B-Plug, which is the diesel burner motor power wire.

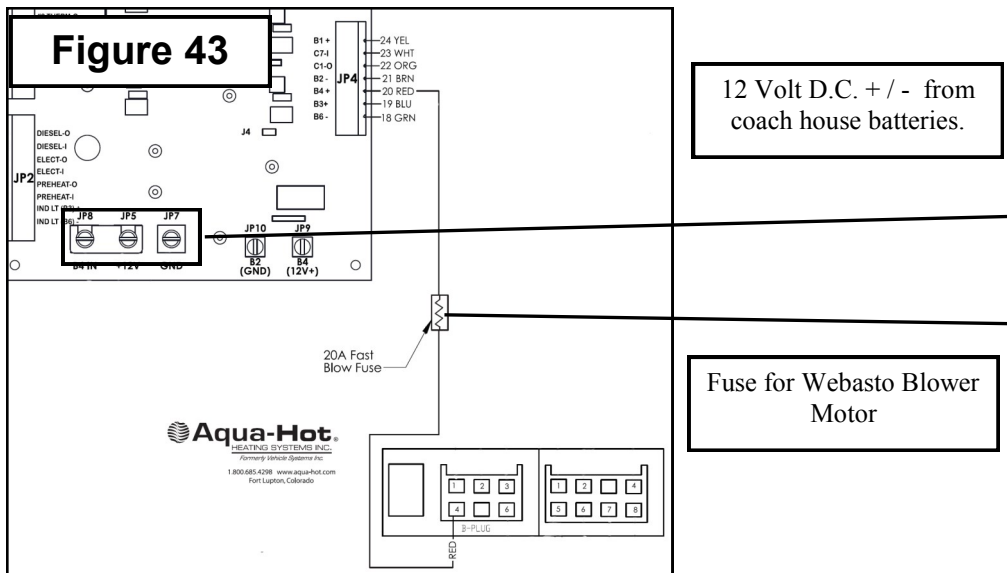
Component Test:

1. Locate the diesel-burner controller's C-Plug and insert the probes of a DC voltmeter into the C-2 (+) and the C-5 (-) locations.
 - A. Turn the diesel switch **ON** and verify both the diesel burner status light and the heating status lights are illuminated on the electronic controller. If either light is not illuminated, follow the trouble shooting guide for that particular component.
 - B. Observe the voltage level. If a normal voltage registers on the voltmeter and the motor is not operating, inspect the C-Plug Harness for loose or damaged wire connections. If the C-Plug harness and connections are in good condition, but the motor is not operational the motor must be replaced.

If there is no 12 Volts D.C. present on the C-2 pin, continue.

2. Inspect the "Fast Blow" fuse on the #20 wire between the electronic controller and the Webasto burner controller.
3. Verify the Electronic Controller is sending power to the diesel burner motor.
 - A. Using a volt meter, check for 12 Volt-DC on the JP4 plug, on the B4 + pin (red wire #3). If no power is present verify the electronic controller is receiving power from the batteries.
 - i. Locate the main power terminals on the bottom of the electronic controller.
 - ii. Using a volt Meter, check for 12 Volt - D.C. on the JP 8 terminal. If no voltage is present, verify that either the jumper is in place, that connects pins JP5 and JP8 together, or if there is a power wire hooked up to the JP8 terminal verify that it is receiving 12 Volt D.C. from the Motor home's batteries.
 - iii. If the JP8 pin does have 12 Volt D.C. +, but pin 3, on the JP4 terminal does not have power, replace the electronic controller.

NOTE: The motor may have a flat spot and will cause the burner to work intermittently. When testing the motor be sure to test it multiple times to find the intermittent problem.



Diesel-Burner Motor (continued) -

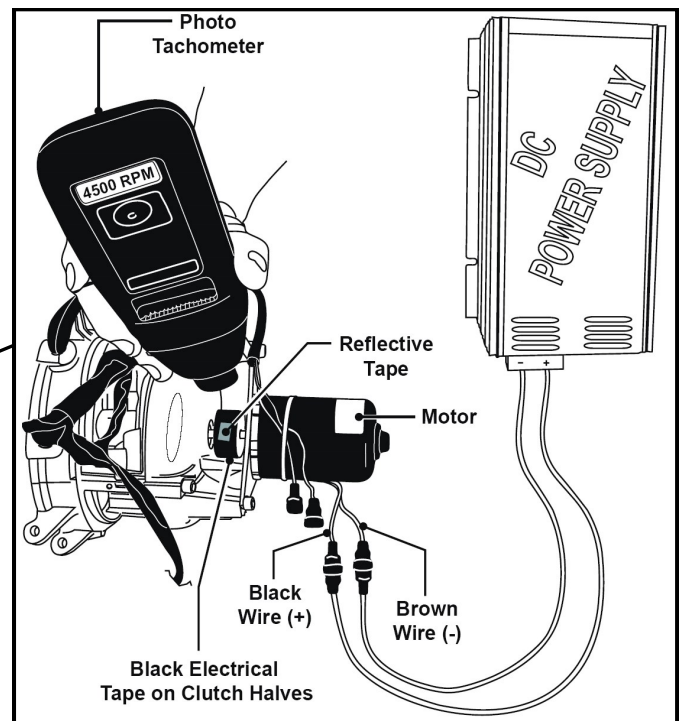
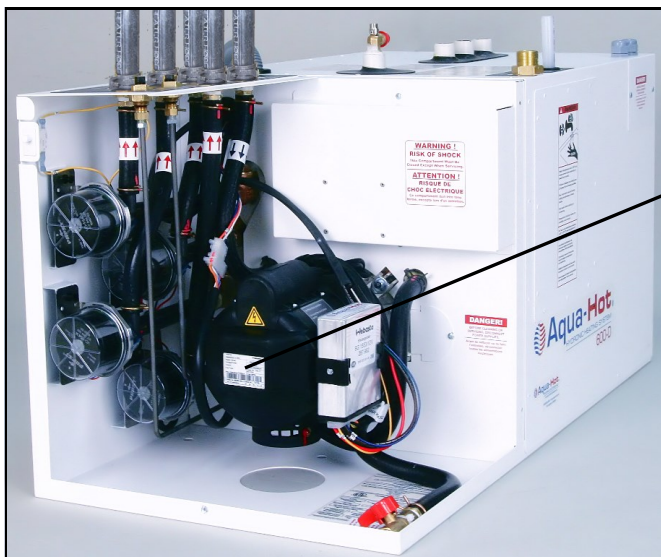
RPM Test:

1. Disconnect the ignition cables from the ignition electrodes.
2. Remove the four ignition coil screws that secure the ignition coil to the protection cap.
3. Lift the ignition coil and disconnect its wires from the C-Plug harness wires prior to removing.
4. Remove the protection cap from the diesel-burner so that the motor and clutch halves are exposed.
5. Place a few wraps of black electrical tape around the clutch halves and then place a small piece of reflective tape over the black tape.
6. Disconnect the motor's black (+) and brown (-) wires from the C-plug harnesses black (+) and brown (-) wires.
7. Connect the motor's wires directly to a 12 volt DC power supply.
8. Turn the power supply **ON** and use a photo-tachometer to test for a proper RPM reading.
9. At approximately 12 volts DC the RPM reading should be 4500 RPM's (+/- 300 RPM's.) If the motor's RPM reading is not within the above specs, the motor must be replaced.

NOTE: It may be necessary to remove the diesel-burner to remove the bottom two screws securing the protection cap in place. Follow the direction on detaching and reattaching the diesel burner in section 9

NOTE: Test the diesel-burner's bearings prior to reattaching the diesel-burner head or replacing the motor. Worn bearings can cause lower than normal RPM readings and premature motor wear. To properly test for worn bearings, reference the bearings function test section.

Figure 44



Motor Replacement Procedure:



Be sure to move the Diesel-Burner switch on the Interior Switch Panel to the OFF position and disconnect the Diesel-Burner's power supply before detaching the Diesel-Burner from the Aqua-Hot. Failure to turn off the Diesel-Burner and disconnect power could result in serious bodily injury.

1. Follow the directions for detaching the diesel burner in section 9.
2. Remove the four ignition coil screws that secure the ignition coil to the protection cap. Lift the ignition coil to disconnect its wires from the C-plug harness wires prior to removing. Remove the protection cap from the diesel-burner so that the motor clutch halves are exposed.
3. Remove the three hex head screws that secure the motor and flange assembly to the blower housing. Remove the motor and flange assembly along with the clutch halves. Disconnect the motor's black (+) and brown (-) wires from the C-plug harness' wires.

NOTE: Inspect the clutch halves for cracks and also ensure that the flat portion in each shaft hole is free of wear and tear. Too much play on the shaft produces a loud clacking noise. If any cracks or wear are detected, the clutch half must be replaced.

4. Detach the motor from the motor flange by removing the two Phillips heads screws that fasten the two parts together.
5. The motor must be mounted to the flange with the wires and drain hole pointing downward and the recessed edge of the motor flange pointing upward. This will ensure a proper protection cap fit.

NOTE: Be sure to test the diesel-burner's bearings prior to reinstalling the motor. Worn bearings can cause lower than normal RPM readings and premature motor wear.

6. Reinstall a clutch half on both the new motor's shaft and the combustion air blower shaft. Attach the motor and flange assembly, with the recessed edge of the motor flange in-line with the wiring access slot of the blower casing, to the blower housing with the three hex head screws.

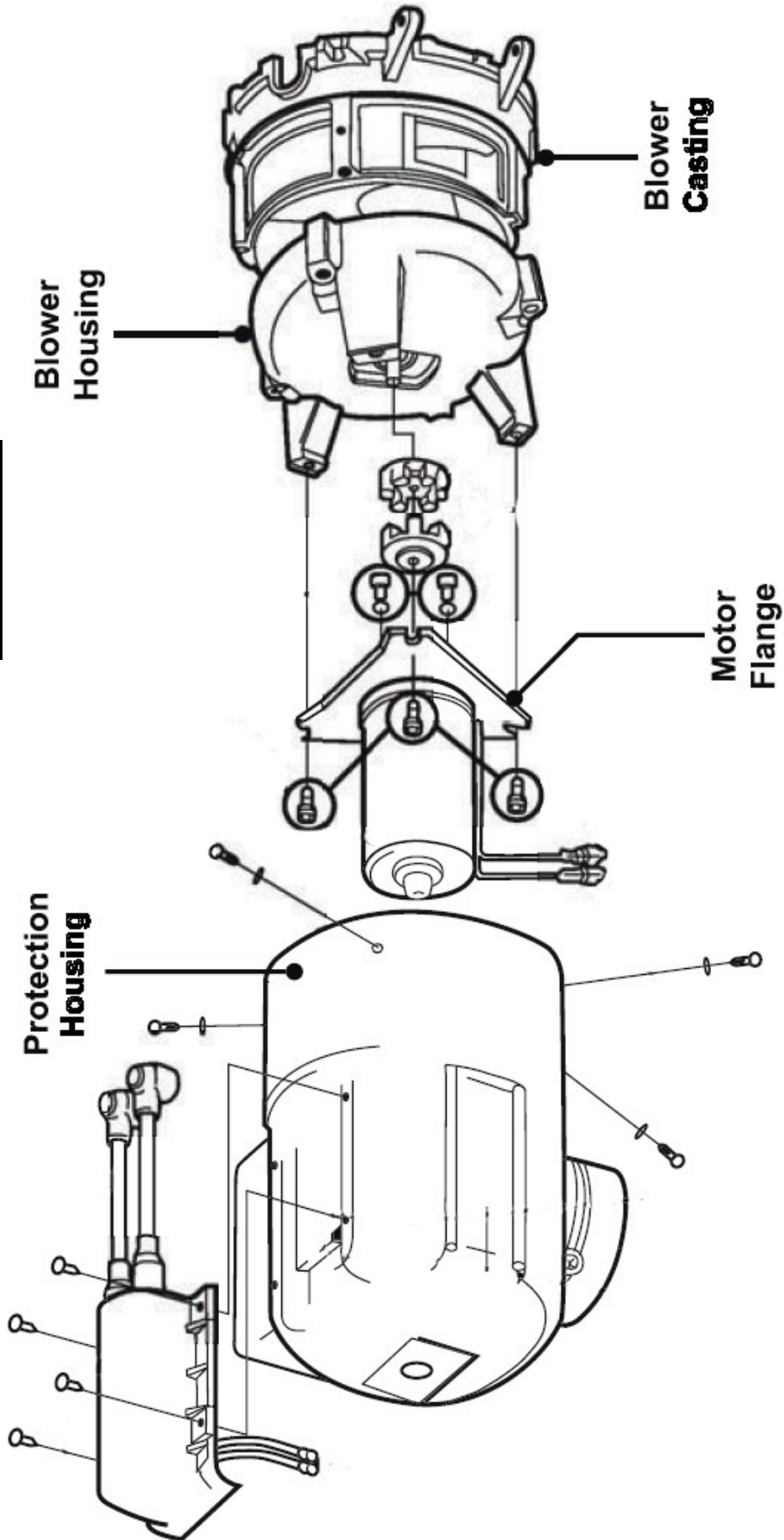
NOTE: Inspect the blower casing's O-ring for damage or wear prior to reinstalling the diesel-burner head's protection cap. If damage or wear exists, replace the O-ring.

7. Connect the black (+) and the brown (-) wires of the new motor to the C-Plug harness' Black (+) and brown (-) wires. Feed the C-plug harness' yellow and brown wires back through wiring access hole in the protection cap.
8. Reinstall the protection cap. Reconnect the ignition coil wires black (+) to yellow (+) and brown (-) to brown (-) wires.
9. Reinstall the ignition coil and secure to the protection cap with the four ignition coil screws.
10. Follow the directions for reattaching the diesel burner in section 9.
11. Test for proper operation

SECTION 10: DIESEL-BURNER COMPONENTS

Motor Replacement Procedure: (continued)

Figure 45



Flame Sensor:

The flame sensor is a photo resistive device which supplies the diesel-burner's controller with a DC voltage signal when it detects a flame. When the flame sensor senses the light of the flame, it will shut the ignition coil off, and send a signal to the diesel burner controller indicating that everything is working properly. If the flame sensor does not sense the flame, it will shut the diesel burner down in a default after 20 seconds.

NOTE: In order to perform the following procedures it is necessary to detach and reattach the diesel-burner head. Be sure to review the detaching/attaching instructions.

Component Test: Ohms

NOTE: Be sure to calibrate your ohmmeter prior to checking the flame sensor to proper resistance values.

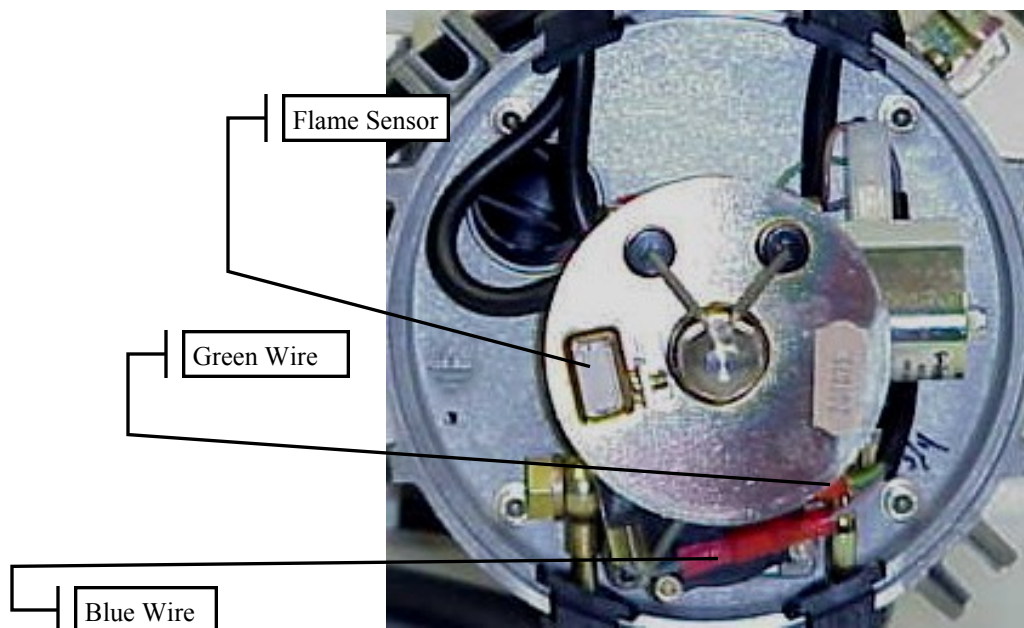
1. In order to perform the following procedures it is necessary to detach the diesel-burner. Be sure to review the detaching/attaching instructions in section 9.
2. Once the diesel burner has been removed, Locate and detach the flame sensor's green and blue wires from the C-plug harness wires.

3. Connect the flame sensor's green and blue wires to an ohmmeter.
4. Check resistance by placing a shop rag over the flame sensor's glass surface, to simulate a no flame condition, and then remove the rag and expose to a light source, to simulate a flame condition.
5. If the flame sensor is operating properly, the ohmmeter should register high resistance, over 100K Ω when the glass surface is covered, and less than 200 Ω when exposed to a light source.
6. If these resistance numbers cannot be obtained, verify the flame sensor's glass surface is clean. If the flame sensor is clean and the resistance numbers cannot be obtained, the flame sensor must be replaced.

Flame Sensor Maintenance:

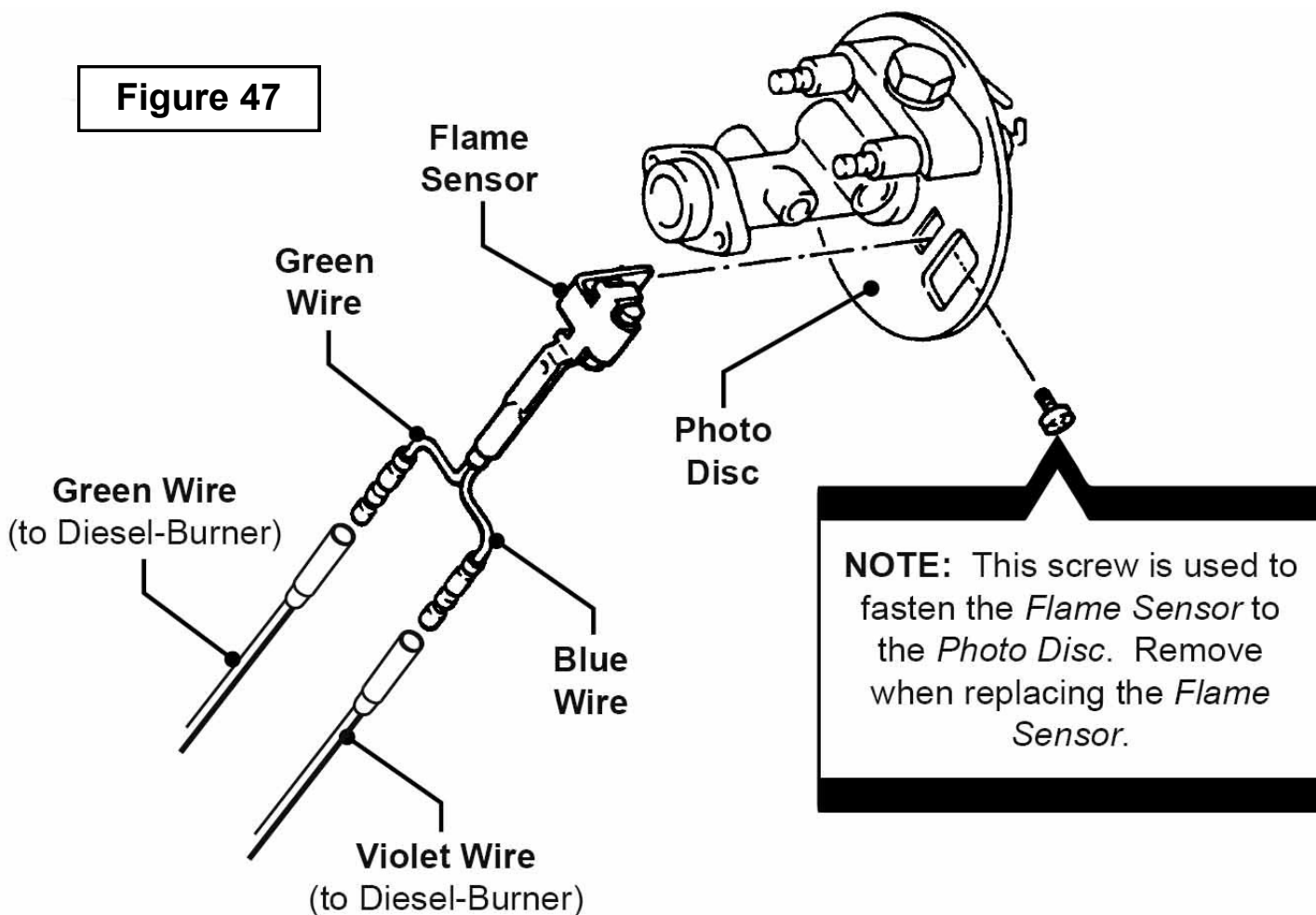
1. For light dirt, dust, and/or carbon deposits, simply wipe off the flame sensor with a soft cloth.
2. Should heavy carbon deposits be present, completely remove the flame sensor from the photo disc and clean with brake cleaner.

Figure 46



Flame Sensor Replacement Procedure:

1. In order to perform the following procedures it is necessary to detach diesel-burner head. Be sure to review the detaching/attaching instructions in section 9.
2. Remove the screw that fastens the flame sensor to the photo disc and detach the sensor's green and blue wires from the C-plug harness' green and violet wires, and remove flame sensor.
3. Slide the tab of the new flame sensor into the provided slot in the photo disc and secure in place with the screw. Connect the flame sensor's green wire to the green C-plug harness wire and the blue wire to the C-plug harness' violet wire.
4. Follow the directions for reattaching the diesel burner, in section 9 of this manual.



Ignition Electrodes

The diesel-burner's ignition coil produces a high voltage ignition spark across the ignition electrodes, which ignites the incoming air/fuel mixture.

Cleaning and Maintenance:

1. Polish away any carbon deposits that may have baked onto the metal tips of the ignition electrodes with a course sponge.
2. If the ignition electrode's electrical insulator is cracked or damaged, the ignition electrode must be replaced.

NOTE: The electrode adjustment gauge is used to set the gap between the ignition electrodes. The electrode adjustment gauge is located on the outside surface of the diesel-burner head on the left hand side.

Ignition Electrode Adjustment Procedure:

1. Follow the directions for detaching/reattaching the diesel burner in section 9 of this manual.
2. Using a 10mm socket, slightly loosen the retaining clamp bolt.
3. Place the electrode adjustment gauge on the nozzle manifold hex and insert the metal tips of the ignition electrodes into the appropriate notches of the electrode adjustment gauge.

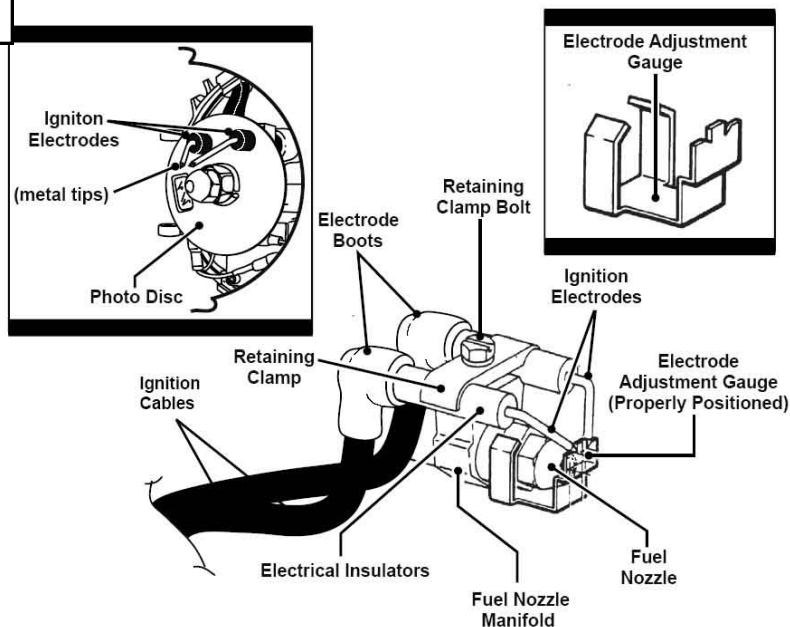
NOTE: Be sure not to over-tighten the retaining clamp bolt when readjusting the ignition electrodes. Over-tightening the retaining clamp bolt will bend the retaining clamp and prevent the photo disc from floating freely. Not allowing the photo disc to float freely will cause poor combustion and result in a smoky exhaust. A bent retaining clamp can be re-straightened with a punch and hammer. Lay the clamp's beveled side down on a solid flat surface and align the thick end of the punch at dead center. Tap the punch lightly until the retaining clamp returns to proper form.

4. Using a 10 mm socket, tighten the retaining clamp bolt.
5. Remove the electrode adjustment gauge and reattach to the diesel-burner head.

Replacement Procedure:

1. Using a 10mm socket, loosen and remove the retaining clamp bolt, and the retaining clamp.
2. Slide the electrode out of the photo disc.
3. To remove the electrode, hold onto the orange electrode boot, and pull firmly on the electrode.
4. Once the electrode has been removed inspect inside the orange electrode boot for the retaining clip, which holds the electrode in place. If it is missing, replace the electrode boot.

Figure 48



Ignition Electrodes

Replacement Procedure: (continued)

5. Insert the new electrode into the orange electrode boot, and snap into place. Pull firmly on the electrode to make sure the retaining clip has secured the electrode in place.
6. Slide the electrode into the photo disc.
7. Install retaining clamp and retaining clamp bolt and finger tighten.
8. Follow steps 1 - 4 to properly adjust the electrodes.

2. Hook the diesel burner up to an alternate fuel source.
 - A. Disconnect the steel fuel lines from the diesel burner.
 - B. Install a fuel line bypass adapter fitting onto the diesel burners fuel line
 - C. Install rubber fuel lines on both the supply and return fuel pipes, and install the other end of the rubber fuel lines into an adequate supply of diesel fuel. Reference figure 49.
3. Remove both the ignition cables from the ignition electrodes, or connect a jumper wire (with alligator clips) across the metal tips of the electrodes.

Fuel Nozzle:

The fuel nozzle is simply a fuel atomizer. It reduces the diesel fuel into a fine spray which is mixed with incoming combustion air and is ignited within the combustion chamber.

NOTE: In order to perform the following procedures it is necessary to detach and reattach the diesel-burner head. Be sure to review section 9 for detaching and reattaching instructions.

Fuel Nozzle Component Test:

1. Follow the directions for detaching the diesel burner, in section 9, of this manual.

⚠ DANGER! ⚠

Failure to connect a jumper wire across the ignition electrodes, or to remove the ignition cables from the ignition electrodes will result in a HIGH VOLTAGE shock and/or a fire. If the ignition cables are removed, be sure to place a piece of electrical tape on the end of each cable.

4. Remove the B-plug from the diesel-burner head's controller.
5. Turn the diesel switch ON and then plug the B-plug back into the diesel-burner controller to activate the diesel-burner. After approx. 20 seconds the fuel solenoid will "click" and a fine mist of fuel should appear from the fuel nozzle in a cone shaped spray pattern.



Figure 49

SECTION 10: DIESEL-BURNER COMPONENTS

Fuel Nozzle:

6. Remove the B-plug from the diesel-burner controller.
7. If the cone shaped spray pattern did not appear, follow the troubleshooting guides for the following components and verify they are operating properly:
 - A. Fuel Solenoid
 - B. Fuel pump
 - C. D.C. High Limit thermostats
8. If the components listed above are operating properly, and there is still no fuel coming out of the nozzle, replace the fuel nozzle.

Fuel Nozzle Cleaning and Maintenance:

The fuel nozzle is a precision calibrated part and **cannot** be cleaned or serviced. A replacement of the fuel nozzle is recommended annually.

Fuel Nozzle Replacement Procedure:

1. Use a 3/4 in. wrench to hold the fuel nozzle stand hex while loosening the fuel nozzle with a 5/8 in. wrench and remove.

NOTE: Be sure to use care when handling the new fuel nozzle. Oils and/or small dust or dirt particles from your hands may plug the nozzle's small orifice. A partially plugged orifice will restrict fuel flow, which will affect the combustion process of the diesel-burner.

2. When replacing the fuel nozzle, be sure to tighten the nozzle, loosen it a 1/4 turn, and then firmly re-tighten. This will establish a seated fit and avoid any leaks.

NOTE: An adjustment of the ignition electrodes may be necessary after replacing the fuel nozzle. Follow the ignition electrode adjustment procedure found in the ignition electrode section of this manual.

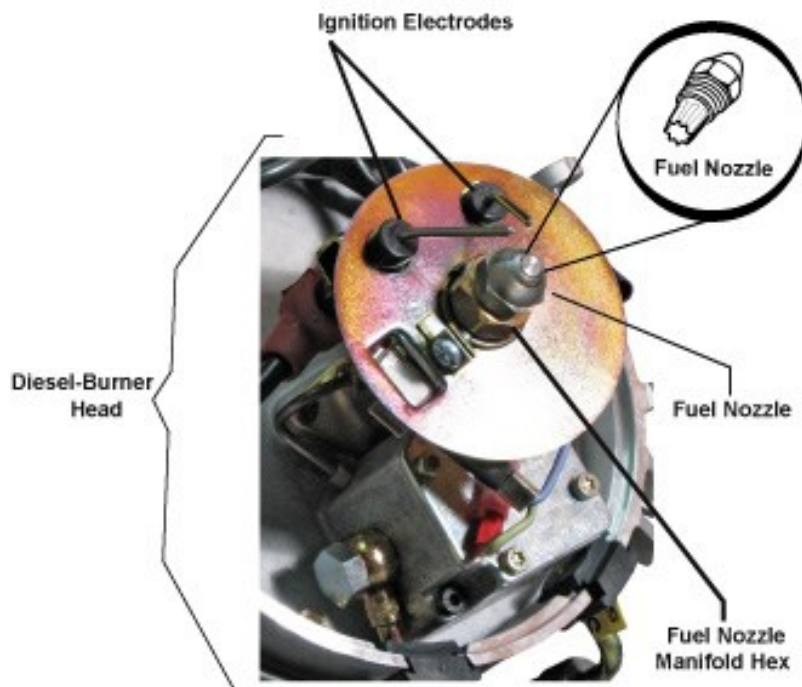
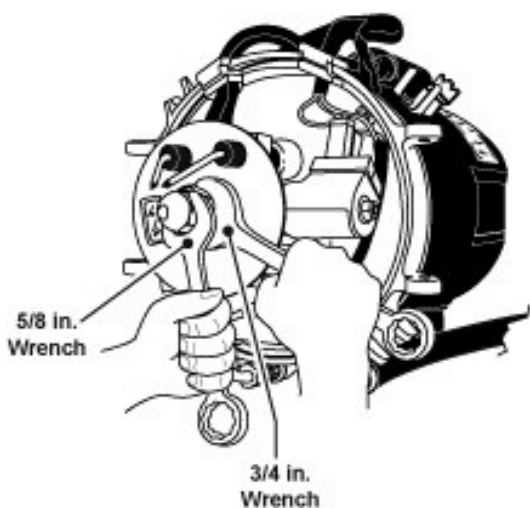
3. After replacing the fuel nozzle, reattach the diesel-burner head.

⚠ DANGER! ⚠

Be sure to reattach the diesel-burner head prior to switching the heater ON. Failure to do so may result in ignition of the diesel-burner and serious bodily injury.

4. Turn **ON** the diesel switch for 5 seconds, then turn it **OFF**. This will activate the diesel-burner's prime-cycle and flush the fuel system of any potential contaminants. Perform this procedure twice.
5. Test for normal operation.

Figure 50



SECTION 10: DIESEL-BURNER COMPONENTS

Fuel Solenoid:

The fuel solenoid allows the flow of diesel fuel to the diesel-burner's fuel nozzle.

NOTE: If a long after-smoking condition exists during the diesel-burner's purge cycle, the fuel solenoid valve kit may need to be replaced.

NOTE: In order to perform the following procedures it is necessary to detach and reattach the diesel-burner head. Be sure to review the detaching/attaching instructions.

Fuel Solenoid Component Test:

NOTE: If the fuel solenoid is not working troubleshoot the diesel burner's hi-limit thermostats. If they are tripped they will not allow the fuel solenoid to operate.

1. Locate and detach the C-plug harness' violet (+) and Brown (-) wires from the fuel solenoid.
2. Connect the (-) lead of a 12 volt DC power supply to the fuel solenoid's (-) electrical terminal.
3. Intermittently apply the (+) lead of the power supply to the fuel solenoid's (+) electrical terminal.
4. Listen for the fuel solenoid to click (i.e. open and close).
5. If the fuel solenoid does not click, it must be replaced.

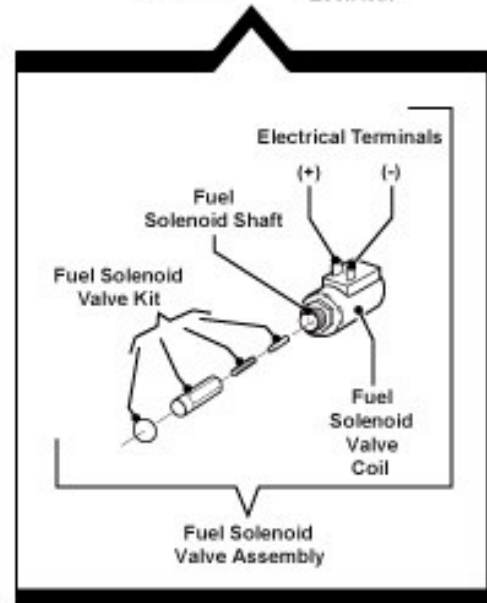
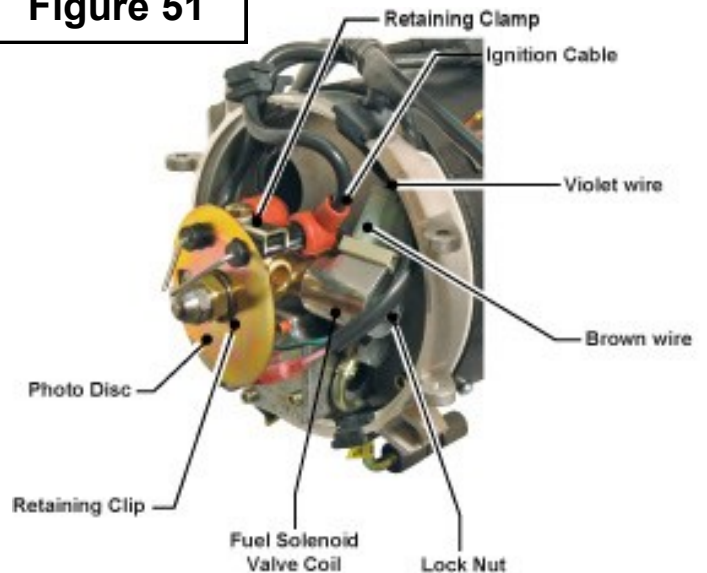
Fuel Solenoid Replacement Procedure:

1. Disconnect the C-plug harness' violet (+) and brown (-) wires from the fuel solenoid.
2. Using an 8mm wrench, remove the lock nut and flat washer from the end of the fuel solenoid shaft and then pull the fuel solenoid away from the nozzle

stand approximately 1/2". Remove the fuel solenoid shaft from the nozzle manifold using a 16mm wrench. Discard the shaft and valve kit, as replacements are provided with the new fuel solenoid assembly.

3. Insert the contents of the new fuel solenoid valve kit into the new fuel solenoid shaft. Slide the new fuel solenoid onto the fuel solenoid shaft. Thread the new fuel solenoid shaft with fuel solenoid to the fuel nozzle manifold and tighten. Secure the fuel solenoid in place with the new flat washer and lock nut.
4. Connect the C-plug harness' violet (+) and brown (-) wires to the fuel solenoid's (+) and (-) electrical terminals.

Figure 51



Fuel Pump:

The fuel pump draws diesel fuel from the vehicle's fuel tank and creates a preset pressure of 145 PSI, which is required for proper fuel atomization. Reference the illustration below for a basic overview and understanding of how the fuel pump functions.

Fuel Pump Testing Procedure:

⚠ DANGER! ⚠

Do not remove the diesel burner at this time. Failure to do so may result in serious bodily injury.

1. Clamp off and remove the fuel return and fuel supply lines coming into the Aqua-Hot unit.
2. Attach a short piece of fuel line to both the inlet and outlet fuel ports
3. Submerge the opposite end of the temporary fuel supply line in a container of diesel fuel.
4. Place the opposite end of the temporary fuel return line in an empty container.
5. Turn the diesel switch **ON** to activate the diesel burner, and wait ten seconds.
6. If fuel does not flow out of the return line into the empty container, the fuel pump must be replaced.

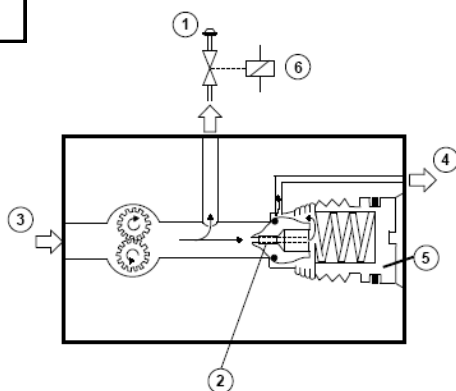
NOTE: Prior to replacing the fuel pump, be sure to inspect the screen filter in the supply inlet of the fuel pump for dirt particles. Clean and/or replace if necessary. A plugged screen filter will restrict fuel from entering the fuel pump. Also, be sure to inspect for cracked or loose fittings on the supply line. A cracked or loose fitting on the supply line will allow air to enter into the fuel system.

7. If fuel does flow through the fuel pump when ran off an external source inspect the following in the motor home:
 - A. Check the motor home fuel tank for fuel. If the fuel level is below 1/4 the Aqua-Hot diesel burner will not operate.
 - B. Inspect the supply fuel line for kinks which would prohibit fuel flow.
 - C. Inspect the supply fuel line for cuts, which would cause the diesel burner to suck air.
 - D. Inspect the fuel filter, to make sure all fittings are tight, including hose clamps. Also, make sure the fuel filter is tight.
 - E. Inspect the Aqua-Hot for loose or cracked fittings.
 - F. Inspect the supply fuel system for loose hose clamps throughout
 - G. Inspect the fuel pick-up tube in the tank., for loose connection and pin holes in the pick-up tube

Fuel Pump Cleaning and Maintenance:

1. Check all fuel connections for tightness.
2. Check the screen filter located in the fuel supply inlet of the fuel pump for dirt particles. Clean and/or replace if necessary.
3. To adjust the fuel pressure refer to Appendix C: Fuel pressure check and adjustment..

Figure 52



FUEL PUMP OVERVIEW

1. Fuel Nozzle
2. Air Relief Bore
3. Fuel Supply Line
4. Fuel Return Line
5. Fuel Pressure Regulator
6. Fuel Solenoid

Fuel Pump Replacement Procedure:

NOTE: To perform the following procedure it will be necessary to remove the diesel burner. Follow the section on detaching and reattaching the diesel burner, section 9 of this manual.

1. Locate and disconnect the C-Plug harness wires that connect to the flame sensor and the fuel solenoid. Also, disconnect the ignition cables from the ignition electrodes.
2. Remove the retaining clip that secures the photo disc in place. Gently lift the photo disc so that it releases from the nozzle stand and the ignition electrodes.
3. Loosen the supply and return banjo bolts to remove the fuel supply and return pipes from the fuel pump. Also, disconnect the high pressure fuel pipe from both the fuel pump and the nozzle stand. Discard the high pressure fuel pipe, gasket rings, and banjo bolts, as replacements are provided in the new fuel pump kit.
4. Remove the four nozzle stand plate screws that secure the nozzle stand plate in place. Remove the nozzle stand plate by pulling on the nozzle stand until the plate releases from the cast-aluminum blower casing.
5. Remove the two pump mounting screws that secure the fuel pump in place. Turn the nozzle stand plate over and remove the snap ring from the fuel pump shaft, using snap ring pliers. Remove the nylon drive gear and then the fuel pump.
6. Attach the new fuel pump to the nozzle stand plate with the two pump mounting screws. Turn the nozzle stand plate over to install the nylon drive gear on the fuel pump's shaft and secure in place with the snap ring. Dab the teeth of the nylon drive gear with white lithium grease (Isoplex LDS-18 is recommended.)

NOTE: Do not adjust the fuel pressure regulator of the new fuel pump, as it has been factory preset.

CAUTION:

Inspect the nylon drive gear's cavity inside the cast aluminum blower casting for fuel stains. If fuel stains are present, a replacement of the bearings and/or the entire blower casing may be necessary. Leaking fuel could cause bearing seizure, resulting in potential damage to the internal bore/bearing of the blower casing.

7. Fit the nozzle stand plate inside the cast-aluminum blower casing and secure in place with the four nozzle stand plate screws. Install the grommets on the fuel return and supply banjo pipes and secure the pipes to the fuel pump with the new banjo bolts and gasket rings.

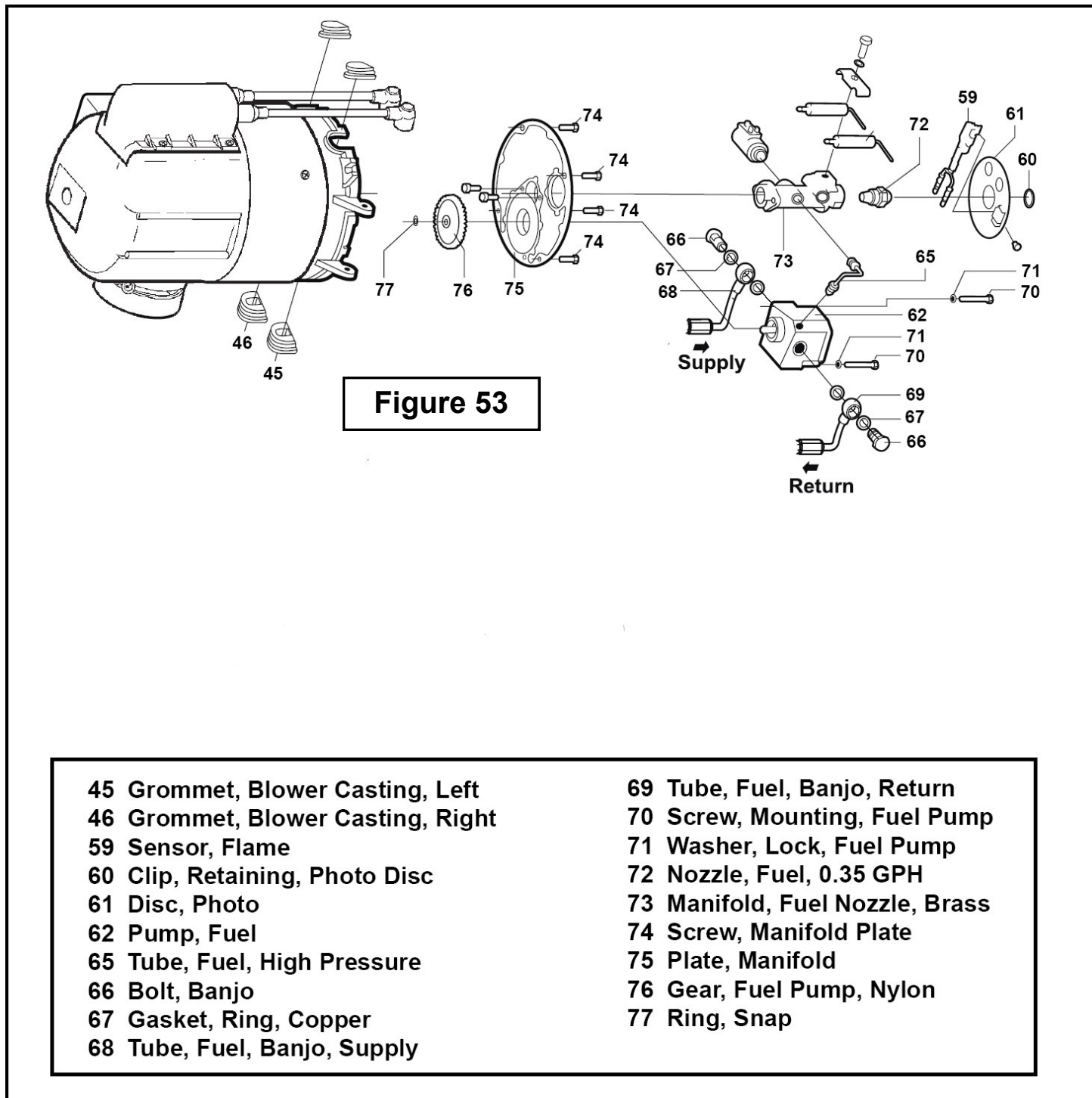
NOTE: Failure to use the new gasket rings or the correct order placement could result in a fuel leak.

8. Reconnect the C-plug harness' violet (+) and brown (-) wires to the fuel solenoid's (+) and (-) electrical terminals.
9. Insert both the ignition cables into the rubber grommet and slide into the appropriate notch on the blower casing.
10. Reconnect the ignition cables to the ignition electrodes.
11. Reinstall the photo disc and secure it in place with the retaining clip.
12. Reconnect the flame sensor's green wire to the green C-plug harness and the blue wire to the C-plug harness' violet wire. Install rubber grommet around the harness wires, and set into place.

NOTE: Check the ignition electrodes for proper adjustment prior to reattaching the diesel burner.

13. Follow the directions for reattaching the diesel burner in section 9 of this manual.

Fuel Pump: (continued)



Bearings:

The bearings support the combustion air blower's shaft and allows the blower to turn smoothly.

NOTE: In order to perform the following procedures it is necessary to detach and reattach the diesel-burner head. Be sure to review section 9 for detaching and reattaching the diesel burner instructions

Bearing Test:

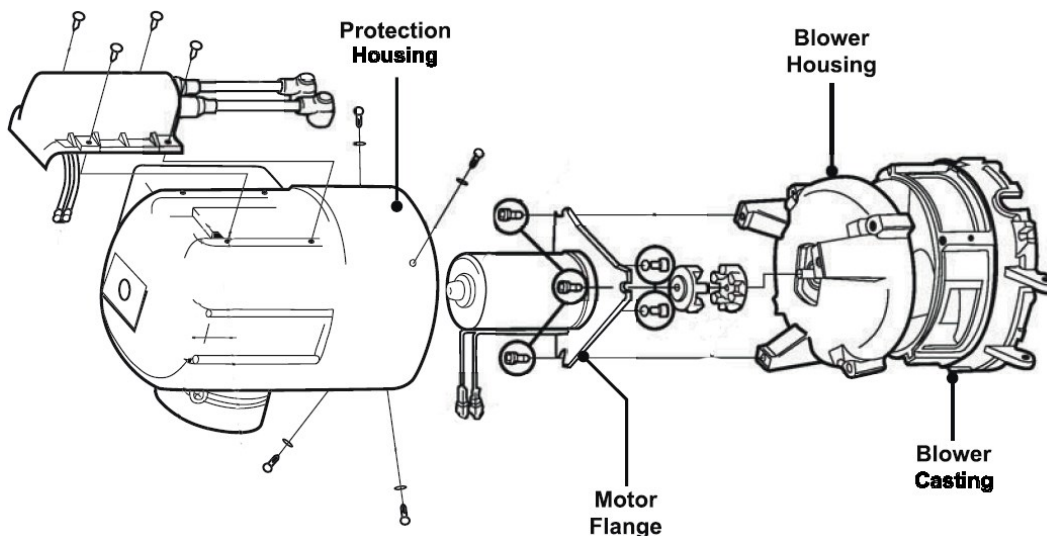
1. In order to perform the following procedure it is necessary to detach and reattach the diesel-burner head. Be sure to review the detaching and reattaching section for detaching and reattaching instructions.
2. Locate and disconnect the C-plug harness wires that connect to the flame sensor and fuel solenoid. Also, disconnect the ignition cables from the ignition electrodes.
3. Remove the four nozzle stand plate screws that secure the nozzle stand plate in place. Remove the nozzle stand plate by pulling on the nozzle stand until the plate releases from the cast-aluminum blower casing.
4. Remove the four ignition coil screws that secure the ignition coil to the protection cap. Lift the ignition coil and disconnect its black (+) and brown (-) wires from the C-plug harness wires, prior to removing. Remove the protection cap from the diesel-burner so that the motor and clutch halves are exposed.

5. Remove the three hex head screws that secure the motor and motor flange to the blower housing. Remove the motor and flange assembly along with the clutch halves. Disconnect the motor's black (+) and brown (-) wires from the C-plug harness' wires.
6. Remove the four blower housing screws that secure the blower housing to the blower casing. Remove the blower housing so that the combustion air blower is exposed.
7. Spin the combustion air blower by hand. Placing one of the clutch halves to the end of the shaft, assists with the spinning of the bearings.
8. If the combustion air blower rotates smoothly without any friction or noise, the bearings are in proper working condition. If the combustion air blower does not rotate smoothly and/or produces noise, the bearings are worn and must be replaced.

Replacement:

1. In order to perform the following procedure it is necessary to detach and reattach the diesel-burner head. Be sure to review the detaching and reattaching section for detaching and reattaching instructions.
2. Locate and disconnect the C-plug harness wires that connect to the flame sensor and fuel solenoid. Also, disconnect the ignition cables from the ignition electrodes.

Figure 54



SECTION 10: DIESEL-BURNER COMPONENTS

3. Remove the four nozzle stand plate screws that secure the nozzle stand plate in place. Remove the nozzle stand plate by pulling on the nozzle stand until the plate releases from the cast-aluminum blower casing.

NOTE: It is recommended to mark the internal components of the diesel burner prior to disassembling of the burner. Make a mark between the motor flange and the blower housing, and also between the blower housing and the blower casing. If the burner is assembled improperly the protection cap will not go on.

4. Remove the four ignition coil screws that secure the ignition coil to the protection cap. Lift the ignition coil and disconnect its black (+) and brown (-) wires from the C-plug harness wires, prior to removing. Remove the protection cap from the diesel-burner so that the motor and clutch halves are exposed.
5. Remove the three hex head screws that secure the motor and motor flange to the blower housing. Remove the motor and flange assembly along with the clutch halves. Disconnect the motor's black (+) and brown (-) wires from the C-plug harness' wires.
6. Remove the four blower housing screws that secure the blower housing to the blower casing. Remove the blower housing so that the combustion air blower is exposed.
7. Hold side-B of the blower casing and loosen the retaining nut located in side-A of the blower casing. Remove the retaining nut, steel drive gear and thick flat washer from the combustion air blower's shaft. Lightly tap the threaded end of the shaft so that the combustion air blower can be easily removed from the blower casing.

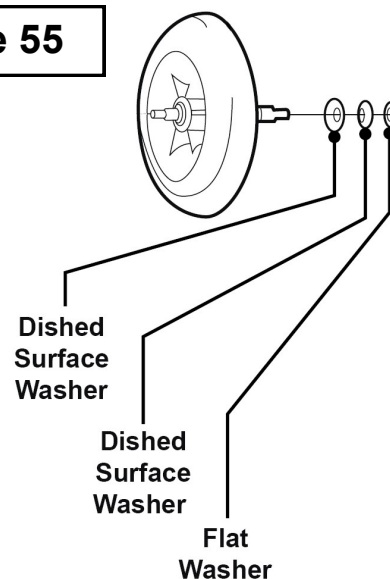
NOTE: Be sure to observe the placement of the three washers of the bearing kit. To ensure proper tension, the same order and direction of the dished surfaces of the washers must be followed when reassembling.

8. With a pair of snap-ring pliers, remove the snap rings from both side-A and side-B of the blower casing. Push all the contents of the bearing kit out of the blower casing's bore/bearing cavity. Discard the retaining nut, steel drive gear, snap rings, bearings, spacer tube, and washers, as replacements are provided in the new bearing kit.

NOTE: Be sure to inspect the blower casing's bore/bearing cavity for signs of damage due to potentially seized bearings. If damage is present, the blower casing must be replaced.

9. Install a new snap ring into side-A of the blower casing. Once the snap ring is in place, insert the remaining contents of the new bearing kit into side-B of the blower casing, starting with the wave washer. Secure the bearing kit assembly in place with the remaining snap ring.
10. Inspect the combustion air blower for warping and/or damage. If warping or damage is visible, the combustion air blower must be replaced.
11. Reference Figure 55 for exact placement of the three washers that slide over the threaded end of the combustion air blower's shaft prior to installation. Failure to follow the correct order and direction of the dished surfaces on the washers will result in a restricted rotation of the combustion air blower.
12. Slide the combustion air blower's shaft (with the three washers) up through the bearing kit assembly until the threaded portion appears on side-A of the blower casing. Place the new thick flat washer and steel drive gear on the threaded end of the combustion air blower's shaft. Thread the new retaining nut on the combustion air blower's shaft until it is finger tight (**DO NOT TIGHTEN.**)

Figure 55



SECTION 10: DIESEL-BURNER COMPONENTS

12. Place a feeler gauge between the combustion air blower and the flat surface of the blower casing. Slowly tighten (or loosen) the retaining nut, holding the combustion air blower, until a .018-.020 gap is achieved. Remove feeler gauge.
13. Spin the combustion air blower to ensure a friction free rotation.

NOTE: If the combustion air blower is rubbing, loosen the retaining nut slightly and lightly tap on the combustion air blower's shaft (opposite side) then readjust the gap.

14. Reattach the blower housing to the blower casing using the four blower housing screws. Reinstall the clutch half on both the motor's shaft and the combustion air blower's shaft. Attach the motor and flange assembly, with the recessed edge of the motor flange in-line with the wiring access slot of the blower casing, to the blower housing with the three hex head screws. Reconnect the black (+) and brown (-) wires of the motor to the C-plug harness' black (+) and brown (-) wires. Feed the C-plug harness' yellow and brown wires back through the wiring access hole in the protection cap.

NOTE: Inspect the clutch halves' for cracks and also ensure that the flat portion in each shaft hole is free of wear and tear. Too much play on the shaft produces a loud clacking noise. If any cracks or wear are detected, the clutch half must be replaced.

15. Reinstall the protection cap. Reconnect the black (+) and brown (-) wires of the ignition coil to the C-plug harness' yellow (+) and brown (-) wires. Reinstall the ignition coil and secure to the protection cap with the four ignition coil screws. Reconnect the ignition cables to the ignition electrodes.
16. Fit the nozzle stand plate inside the cast aluminum blower casing and secure in place with the four nozzle stand plate screws. Reattach the fuel supply and return lines to the diesel-burner head.
17. Reconnect the blue (+) and brown (-) wires to the fuel solenoid's (+) and (-) electrical terminals. Also, reconnect the flame sensor's green wire to the green C-plug harness wire and the blue wire to the C-plug harness' violet wire.
18. Follow the instructions for reattaching the diesel burner, in the detaching/reattaching section in this manual.

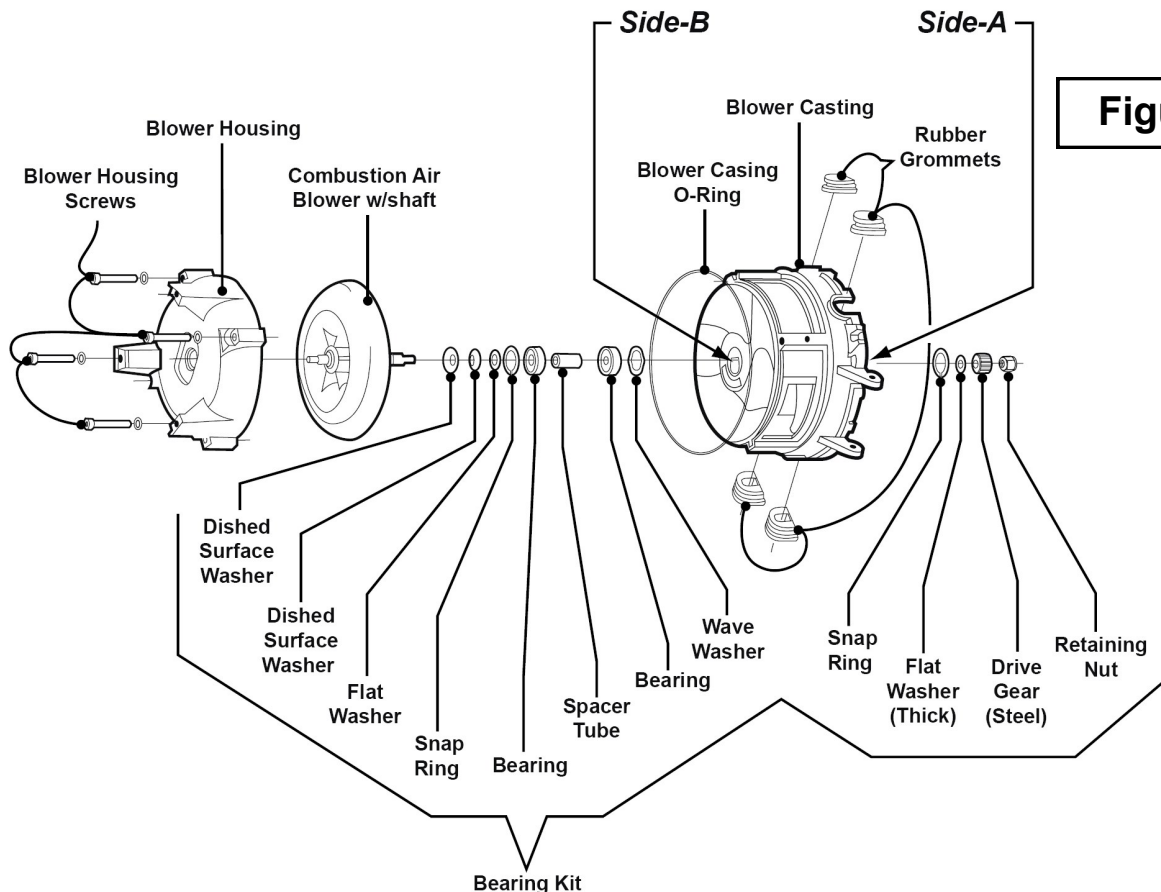


Figure 56

Ignition Coil:

The ignition coil produces a high voltage ignition spark (approx. 8000 volts), which is released across the metal tips of the ignition electrodes during the initial diesel-burner start-up.

Use extreme care when testing the ignition coil, as a High Voltage Shock may result.

NOTE: In order to perform the following procedures it is necessary to detach and reattach the diesel-burner head. Be sure to review the section for detaching and reattaching the diesel burner..

Component Test:

1. Remove the four ignition coil screws that secure the ignition coil in place.
2. Disconnect the ignition coil's black (+) and brown (-) wires from the C-plug harness' yellow (+) and brown (-) wires.

3. Connect the ignition coil wires directly to a 12 volt DC power supply (i.e. black (+) wire to (+) lead and brown (-) wire to (-) lead).
4. Turn the power supply **ON** and watch for a spark to appear across the metal tips of the ignition electrodes. If a spark does not appear, the ignition coil must be replaced.

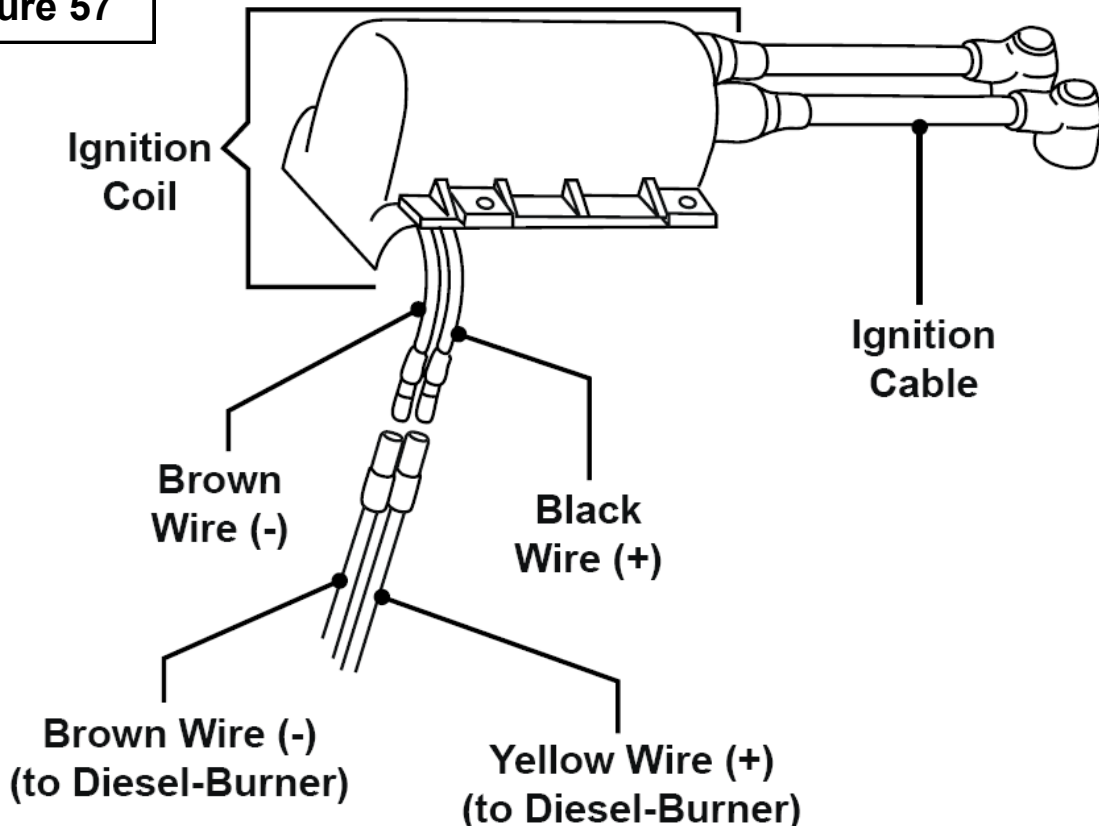
NOTE: Some ignition coils are intermittent and will need to be tested numerously. If the Ignition Coils tests good and it still will not operate it is possible the Electronic Controller is defective.

CAUTION:

Before replacing the ignition coil:

1. Verify the ignition electrodes are not cracked or broken.
2. Verify that the ignition electrodes are adjusted properly.
3. Ensure the electrode boots are securely holding the electrodes in place.
4. Ensure the electrode boots are not broken inside the ignition coil wires.

Figure 57



Ignition Coil:

NOTE: In order to perform the following procedures it is necessary to detach and reattach the diesel-burner head. Be sure to review the section for detaching and reattaching the diesel burner..

Replacement Procedure:

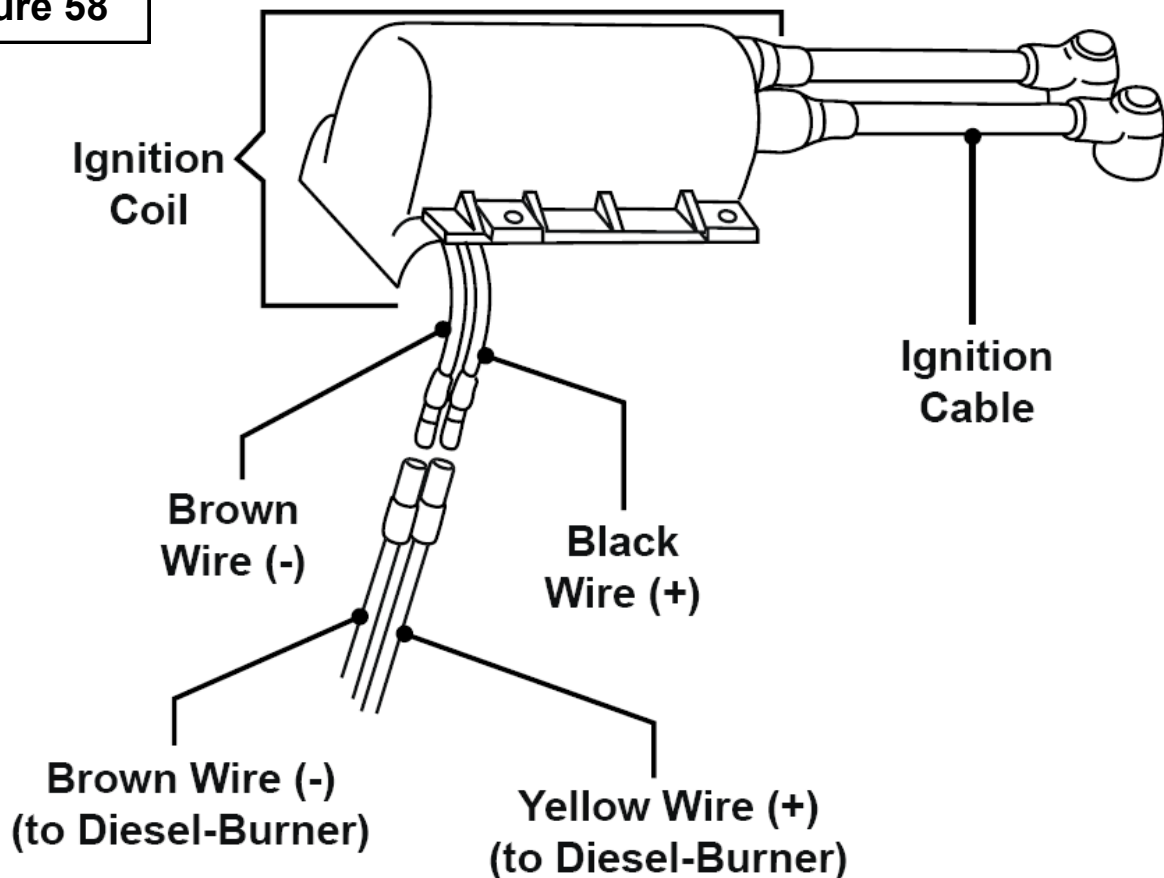
1. Disconnect the ignition cables from the ignition electrodes. Remove the four ignition coil screws that secure the ignition coil to the protection cap. Lift the ignition coil and disconnect its wires from the C-plug harness wires, prior to removing.
2. Disconnect the ignition cables, on the defective ignition coil, from the ignition electrodes.

3. Connect the new ignition coil cables, to the ignition electrodes.
4. Connect the new ignition coil's black (+) and brown (-) wires to the C-plug harness' yellow (+) and brown (-) wires. Attach the ignition coil to the protection cap with the four ignition coil screws, then reconnect the ignition cables to the ignition electrodes.

NOTE: If the new ignition coil does not function, check wire connections and ensure they are properly connected.

5. Follow the instructions for reattaching the diesel burner and test for proper operation.

Figure 58



Diesel-Burner Controller:

The diesel-burner controller operates all the components of the diesel-burner head and safely shuts the heater **OFF** in the event of an overheat, flameout, and low voltage condition. It also receives diesel-burner operation status signals from the flame sensor, VDC control thermostat, and VDC high-limit thermostat.

Component Test:

The following conditions must exist prior to performing the diesel-burner controller circuit tests on the following page. If one of the conditions below does not exist, please contact our technical support department at 1-800-685-4298 for additional assistance.

Condition #1

A battery voltage level between 11.5 to 14.0 volts DC must be present at the diesel-burner controller during all testing. It may be necessary to perform a voltage check to ensure that this condition exists. To perform the voltage check, locate the diesel-burner controller's B-plug, and insert the probes of a DC voltmeter into the B-4 (+) and B-2 (-) locations.

Condition #2

A voltage level of between 11.5 to 14.0 volts must be present at the diesel **ON/OFF** switch circuit of the diesel-burner controller during all testing. It may be necessary to perform a voltage check to ensure that this condition exists. To perform the voltage check, locate the diesel-burner controller's B-plug, and insert the probes of a DC voltmeter into the B-1 (+) and B-2 (-) locations. Turn the diesel switch **ON** and observe the voltage level.

Ground Circuit Test:

Locate the diesel-burner controller's B-plug and C-plug. Insert the probes of a DC voltmeter into the B-4 (+) and C-5 (-) locations and turn the diesel switch **ON**. If a voltage reading does not register on the voltmeter, the diesel-burner controller must be replaced. If voltage is present, proceed to the next circuit test.

VDC/VAC Control Thermostat Circuit Test:

Locate the diesel-burner controller's B-plug and C-plug. Insert the probes of a DC voltmeter into the C-1 (+) and B-2 (-) locations and turn the diesel switch **ON**. If a voltage reading does not register on the voltmeter, the diesel-burner controller must be replaced. If voltage is present, proceed to the next circuit test.

VDC High-Limit Thermostat Circuit Test:

Locate the diesel-burner controller's B-plug and C-plug. Insert the probes of a DC voltmeter into the C-4 (+) and B-2 (-) locations and turn the diesel switch **ON**. If a voltage reading does not register on the voltmeter, the diesel-burner controller must be replaced. If voltage is present, proceed to the next circuit test.

Motor Circuit Test:

Locate the diesel-burner controller's B-plug and C-plug. Use a jumper wire to make a connection from the C-1 location to the C-7 location. Turn the diesel switch **ON** and insert the probes of a DC voltmeter into the C-2 (+) and C-5 (-) locations. If no voltage reading registers on the voltmeter, the diesel-burner controller must be replaced. If voltage is present, proceed to the next circuit test.

Be sure to remove the jumper wire that was used to make the connection from the C-1 location to the C-7 location. A failure to do so will result in an overheating condition during normal operation.

Ignition Coil Circuit Test:

Turn the diesel switch **OFF** and locate the diesel-burner controller's C-plug. Also, locate the VDC high-limit thermostat and disconnect its 2-way male plug from the (white plastic) 6-way female connector. Insert the probes of a DC voltmeter into the C-8 (+) and C-5 (-) locations and turn the diesel switch **ON**. If a voltage reading does not register on the voltmeter 18-25 seconds after the initial start-up the diesel-burner controller must be replaced.

NOTE: Be sure to reconnect the VDC high-limit thermostat's 2-way male plug to the 6-way female plug. The diesel-burner will not ignite during normal operation if the VDC high-limit thermostat is left disconnected.

SECTION 10: DIESEL-BURNER COMPONENTS

NOTE: If the Control Box is replaced and the Ignition Coils still will not operate, it is possible the Electronic Controller is defective.

Be sure to remove the jumper wire that was used to make the connection from the C-1 location to the C-7 location. Failure to do so will result in an overheating condition during normal operation.

Replacement Procedure:

1. Remove both the B-plug and the C-plug from the diesel-burner controller. Gently pry away each side of the diesel-burner controller bracket from the diesel-burner controller's locking posts with a flat-head screw driver. Once the locking posts have been released, pull on the diesel-burner controller to remove it from the diesel-burner head.
2. Slide the new diesel-burner controller into the diesel-burner controller bracket. Push down on the diesel-burner controller until the locking posts snap into the bracket slots.
3. Reconnect the B-plug and the C-plug.

NOTE: Be sure to install the diesel-burner controller with its C-plug and B-plug ports facing downward. Failure to do so, will result in moisture collecting in the ports and potential damage to the diesel-burner controller's internal circuitry.

Figure 59

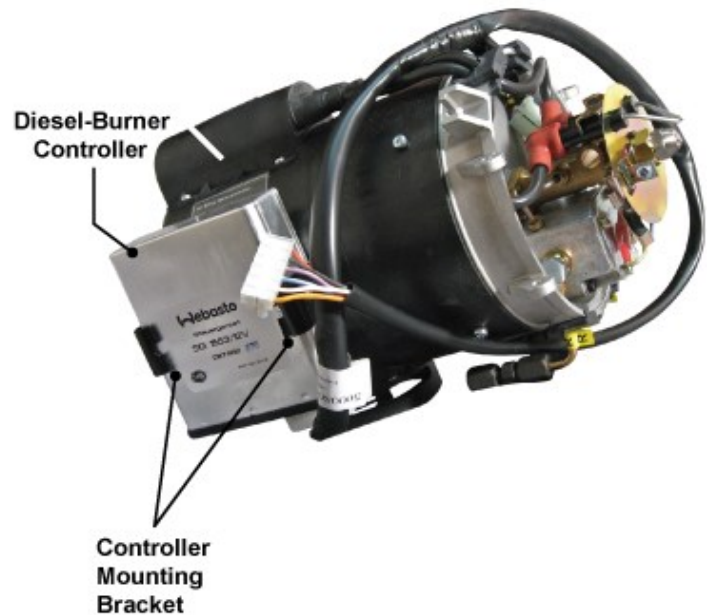
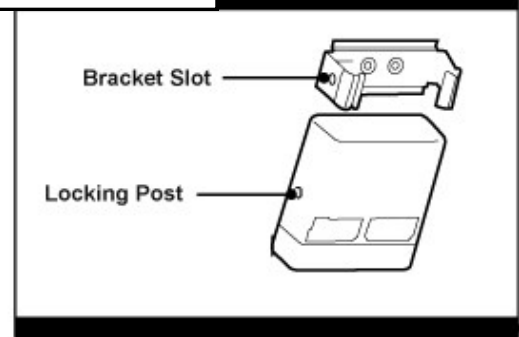
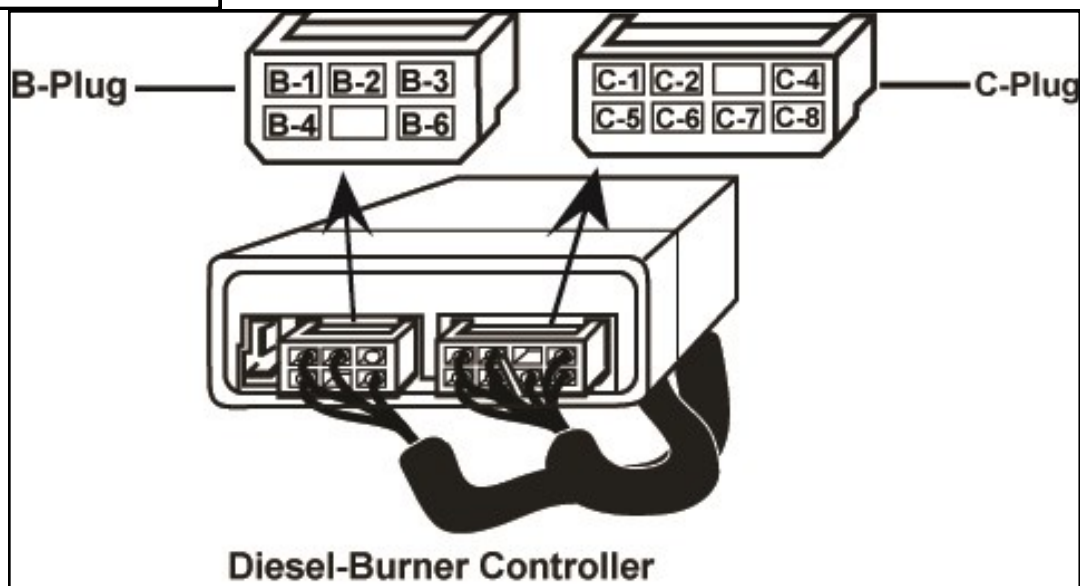


Figure 60



1. Black Smoke

1. Is the heater experiencing a low voltage condition.

A. Fire up the generator or plug the coach into shore power.

2. Is the Exhaust Pipe Damaged or Restricted?

A. Inspect the exhaust pipe for damage, or excessive bends.

NOTE: The Access cover will need to be removed to check the following.

3. Is the Air Intake closed off?

A. The Air Intake is located on the bottom of the diesel burner, and should be adjusted to the halfway point.
B. There is a rubber air intake sleeve on the air intake, and if it is collapsed it will need to be replaced.

4. Is the Protection Cap damaged or cracked?

A. Inspect the protection cap for cracks or holes.

5. Are the Right and Left Grommets Worn out?

A. Are they hard and brittle?
B. Has the rubber been cut out, around the wires?
C. Are they positioned correctly.

6. Is the burner properly positioned and secured properly.

A. Inspect the burner to ensure it is aligned properly.
B. Tighten the Eye Bolts securing the burner in place.

Caution

Do not over tighten the eye bolts, or damage to the diesel burner may result. Tighten the Eye Bolts to 20-40 inch pounds.

NOTE: The Diesel Burner must be removed to check the following.

7. Is the Photo Disc bent or tight.

A. The photo disc must be free floating. If it is bound up, it will not seat against the combustion chamber.

8. Is the Combustion Chamber warped or melted?

A. Remove the Combustion Chamber and inspect for signs of damage. Inspect the aluminum for signs of warping, or melted aluminum.

9. Is the Nozzle bad?

10. Is the Fuel Pressure set at 145 PSI?

A. Check the fuel pressure with the fuel pressure gauge.

NOTE: The Diesel Burner will need to be tore down to check the following.

11. What are the RPM's of the Combustion Blower Motor?

A. The RPM's should be 4500 rpm at 12 VDC.
B. If the motor is running slow inspect the bearings before replacing the blower motor.

12. Are the bearings faulty?

A. The bearings should spin freely, and sound smooth.
B. Bearings that are bad will slow the motor down.

13. Is the Impeller fan gapped properly?

A. The impeller fan should be gapped between .018 - .020 thousands

NOTE: Anything that throws off the air fuel mixture in the combustion chamber is a possible cause of black smoke

2. Blue/White Smoke**1. If the heater is smoking blue/white smoke during the start up or shut down cycle:**

- A. Is the Fuel Solenoid functioning properly
 - i. Test the fuel solenoid and make sure it engages as soon as power is put to it. Any delay in the fuel solenoid may cause blue/white smoke.
 - ii. Remove the fuel solenoid and inspect the plunger for any damage or debris that may interfere with the fuel shutting down.
- B. Is the Nozzle Tower Damaged?
 - i. Inspect the area where the nozzle screws in for cracks in the brass.
 - ii. Remove the fuel solenoid and inspect the plunger seat for poorly machined brass.
- C. Is the Diesel Burner short cycling (turning off and on more frequently than normal).
 - i. Test the control thermostat to ensure it is operating within the proper range.
 - ii. Ensure someone has not turned the heater off and on several times.

NOTE: Webasto says it is normal for there to be a short puff of smoke after the flame has shut down, due to the nozzle tower emptying the fuel out.

2. If the heater is smoking blue/white smoke during the Burn Cycle:

- A. Are the electrodes adjusted properly?
 - i. Use the gauge on the side of the diesel burner to properly adjust the ignition electrodes.
- B. Are the air bubbles in the fuel system?
 - i. If the fuel pump is sucking air at any point, on the supply fuel system, the heater will continuously puff out blue/white smoke.
- C. Is the Fuel Nozzle Bad?
- D. Is the Fuel Pressure Adjusted properly?
 - i. The fuel pressure should be 145psi
- E. Is the Fuel Pump Leaking?
 - i. If the fuel pump is leaking it will need to be replaced.
- F. Is the Ignition Coil igniting every time?
 - i. An intermittent Ignition Coil will allow fuel to spray into the combustion chamber, without igniting it every time.

3. Lack of Interior Heat

- A. Is the Diesel Burner /Electric Heating Element working properly?
- B. Is the Heater up to operating temperature?
- C. Is the Interior Room Thermostat Calling for heat?
- D. Is the Zone Circulation Pump operating?
- E. Are the Heat Exchanger fans operating?
- F. If the Heat Exchanger Fans, and the Zone Circulation Pumps are operating check for the following:
 - i. Stuck Check Valve
 - ii. Inspect for a Kinked plumbing line.
 - iii. Is there a Lack of antifreeze in the boiler tank.
- G. Is the Low Temperature Cutoff Thermostat light, on the electronic controller, out?
- H. Is the Electronic Control Board working properly?

4. Lack of Domestic Hot Water

1. Things to keep in mind when trouble shooting a heater for a lack of hot water.

- A. The Diesel Burner must be on for continuous hot water

NOTE: The Electric Element is designed to be used during low heat demand situations, and will not supply continuous hot water

- B. The Heater is only rated for a water flow of 1.5GPM.
- C. The heater is only rated for a 55°F Temperature rise on the cold water coming in.

2. Check the following if there is a lack of domestic hot water:

- A. Is the heater bypassed?
- B. Has the Outside water faucet been left on?
 - i. If both the cold and hot valves are left in the on position, the outside water faucet acts like a secondary mixer valve, and the remaining hot water faucets will only produce warm water.

- C. Has the Internal Washing Machine Valve gone bad?
 - i. If both the internal washing machine valve has gone bad it acts like a secondary mixer valve, and the remaining hot water faucets will only produce warm water.
- D. What is the Antifreeze concentration?
 - i. The proper antifreeze concentration should be between 30%-50% antifreeze. If the concentration is over a 50% antifreeze concentration the antifreeze does not transfer the heat properly and there will be a lack of domestic hot water.
- E. What is the operating range of the control thermostat?
 - i. 155 ° F to 185 °F
- F. What is the Water Flow (GPM)
 - i. The water flow must be 1.5GPM or less
 - ii. Test the water flow where the customer is complaining about lack of hot water (i.e. shower, sink, etc.)

3. Lack of Domestic Hot Water - (Continued)

- G. Is the Mixer Valve functioning properly.
 - i. The mixer valve's adjustment knob should turn freely. If the adjustment knob does not have free movement, the mixer valve must be replaced.

4. Antifreeze Leak

NOTE: To find an antifreeze leak, the system must be Hot (up to operating temperature) or pressurized to 15 PSI.

Inspect the following components on the Aqua-Hot Heating System for Leaks :

1. On the Front-Side of Aqua-Hot:

A. Fluid Level Sensor

NOTE: It might be necessary to cut away some of the insulation around the tank ports to locate the leak.

B. Control Thermostat

NOTE: It might be necessary to cut away some of the insulation around the tank ports to locate the leak.

C. Drain Valve and Hose going to the drain valve

D. Electric element

E. Circulation Pump

- i. Hoses
- ii. Tank ports

NOTE: It might be necessary to cut away some of the insulation around the tank ports to locate the leak.

- iii. Pump

F. Domestic Water/Engine Preheat copper pipe

- i. The copper pipes come out of the boiler tank and are possible leak points

G. Burn Chamber Leak

- i. If Antifreeze is running out of the tip of the exhaust pipe remove the burner, and combustion chamber and inspect inside the burn chamber for leaks.

2. On the Top-Side of Aqua-Hot:

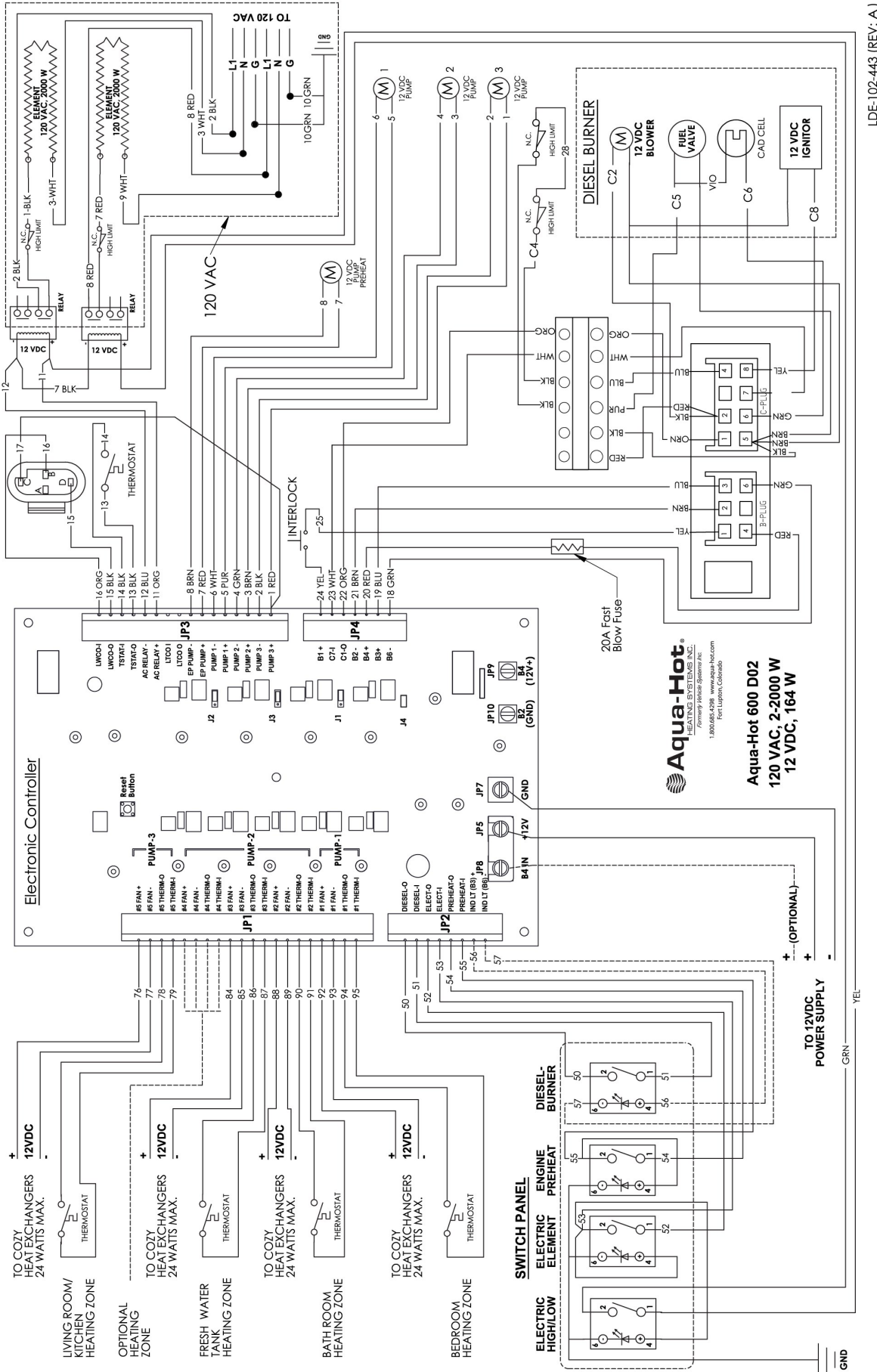
A. Expansion Tank Connection

- i. Cracked expansion tank tubing
- ii. Loose air release valve
- iii. Brass hose barb fitting defective or loose

B. Supply/Return Ports

- i. Defective fitting
- ii. Leaking fitting

AHE-600-D03



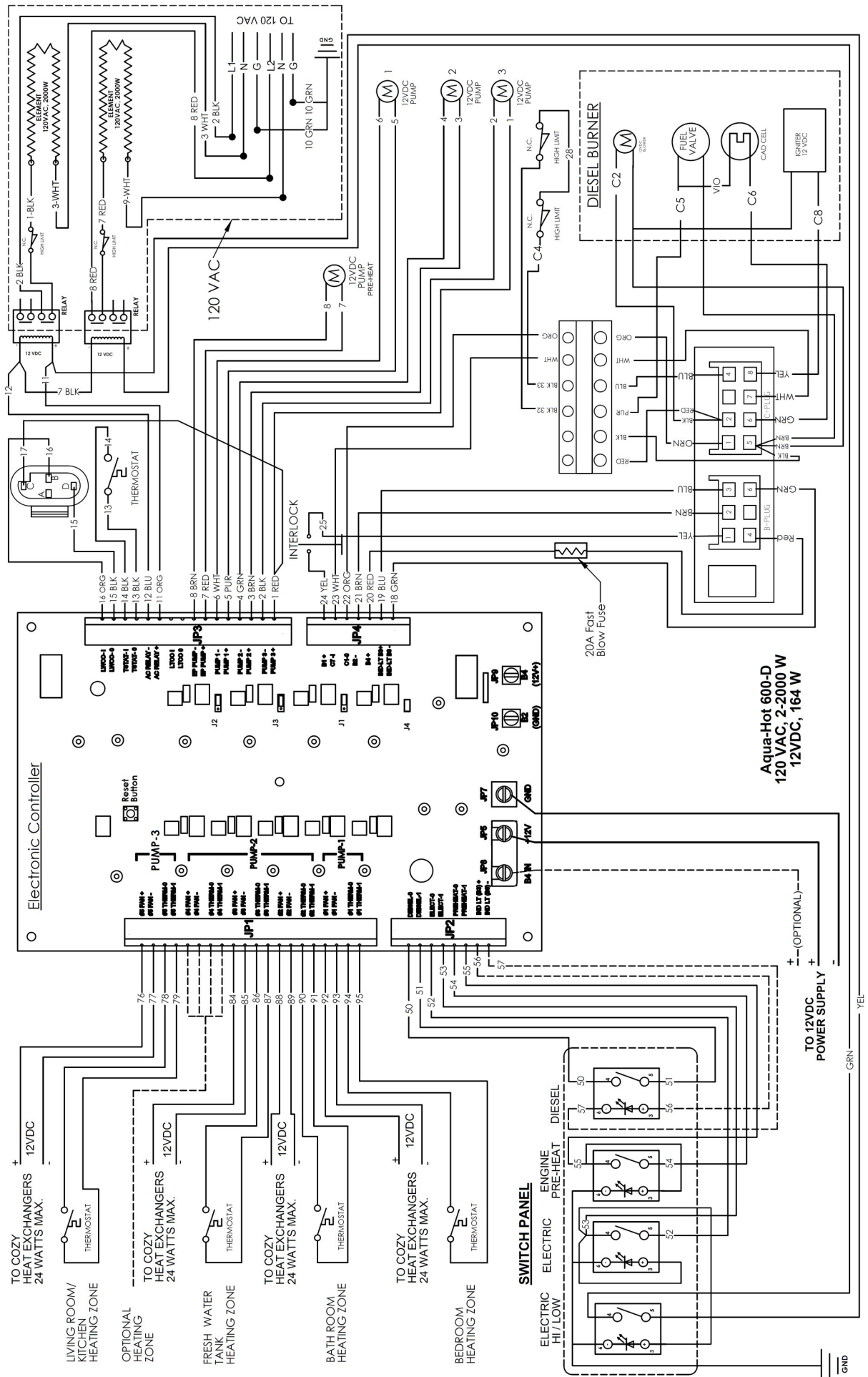
LDE-102-443 (REV: A)

Aqua-Hot
HEATING SYSTEMS, INC.
1-800-685-4298 www.aqua-hot.com
Fort Lupton, Colorado

Aqua-Hot 600 D02
120 VAC, 2-2000 W
12 VDC, 164 W

APPENDIX A: WIRING DIAGRAM FOR AHE-600-D03 MANUFACTURED BETWEEN JANUARY 2011 THRU AUGUST 2011

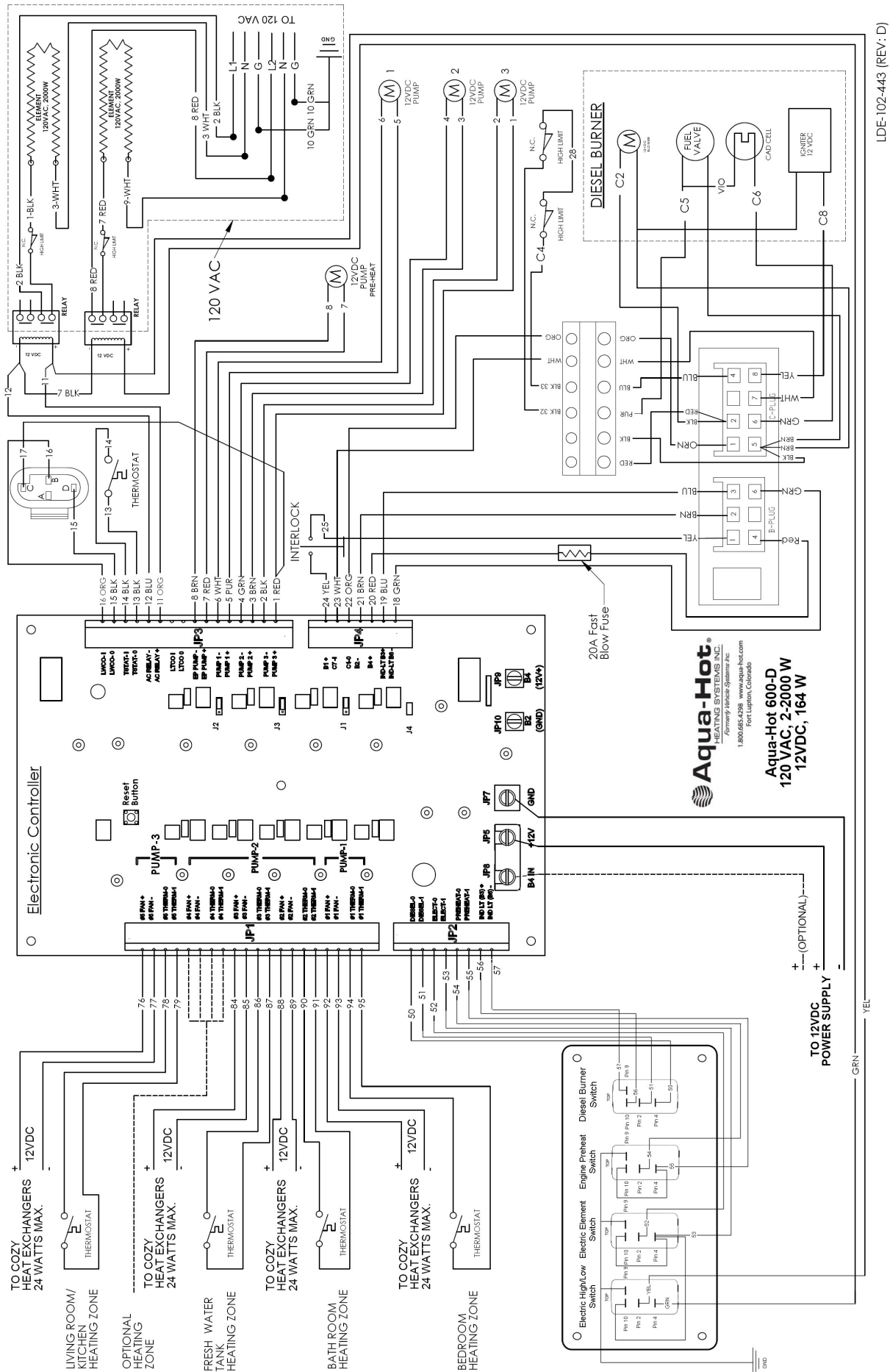
AHE-600-D03



LDE-102-443 (REV. C)

APPENDIX A: WIRING DIAGRAM FOR AHE-600-D03 MANUFACTURED AFTER 09/01/2011

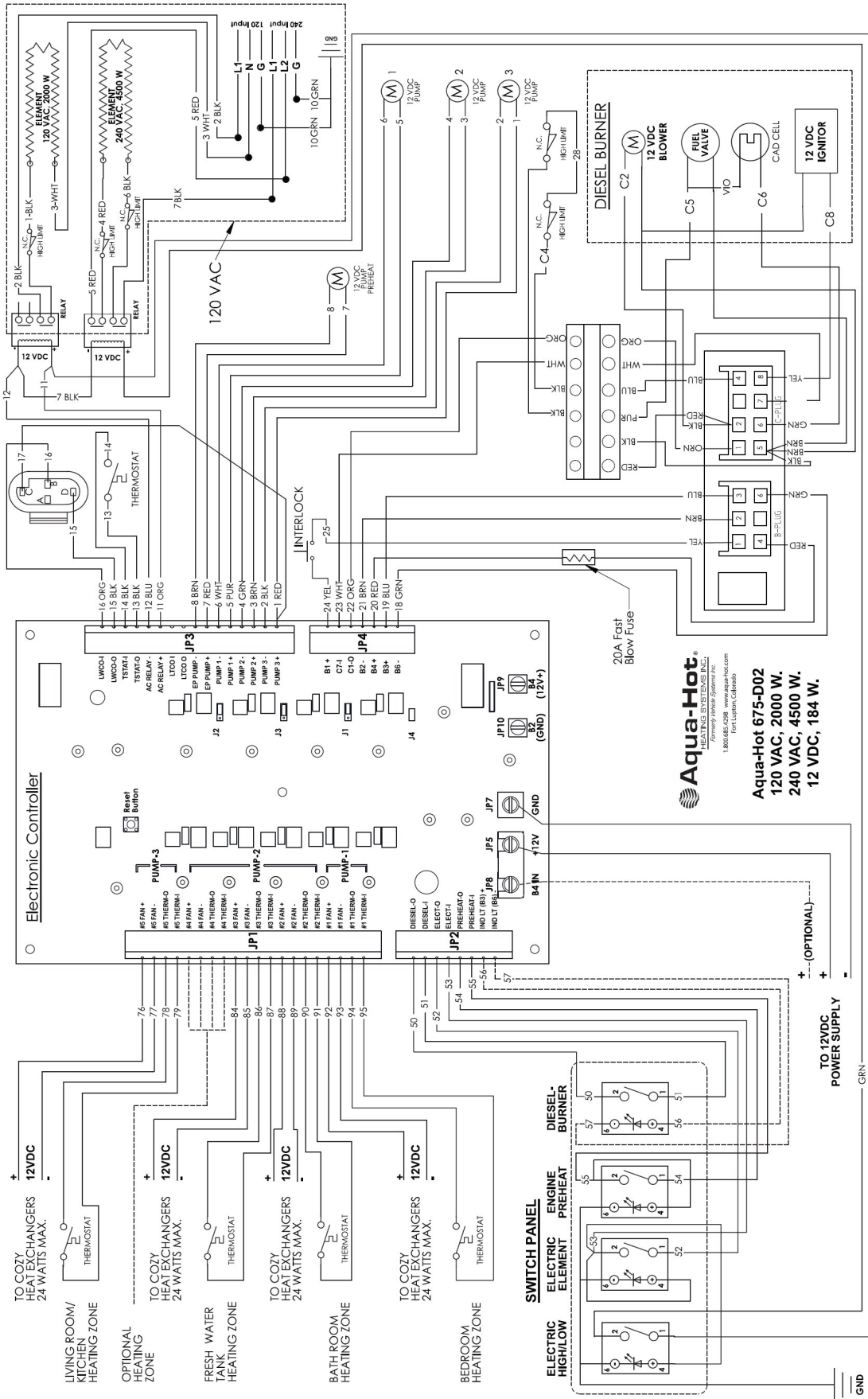
AHE-600-D03



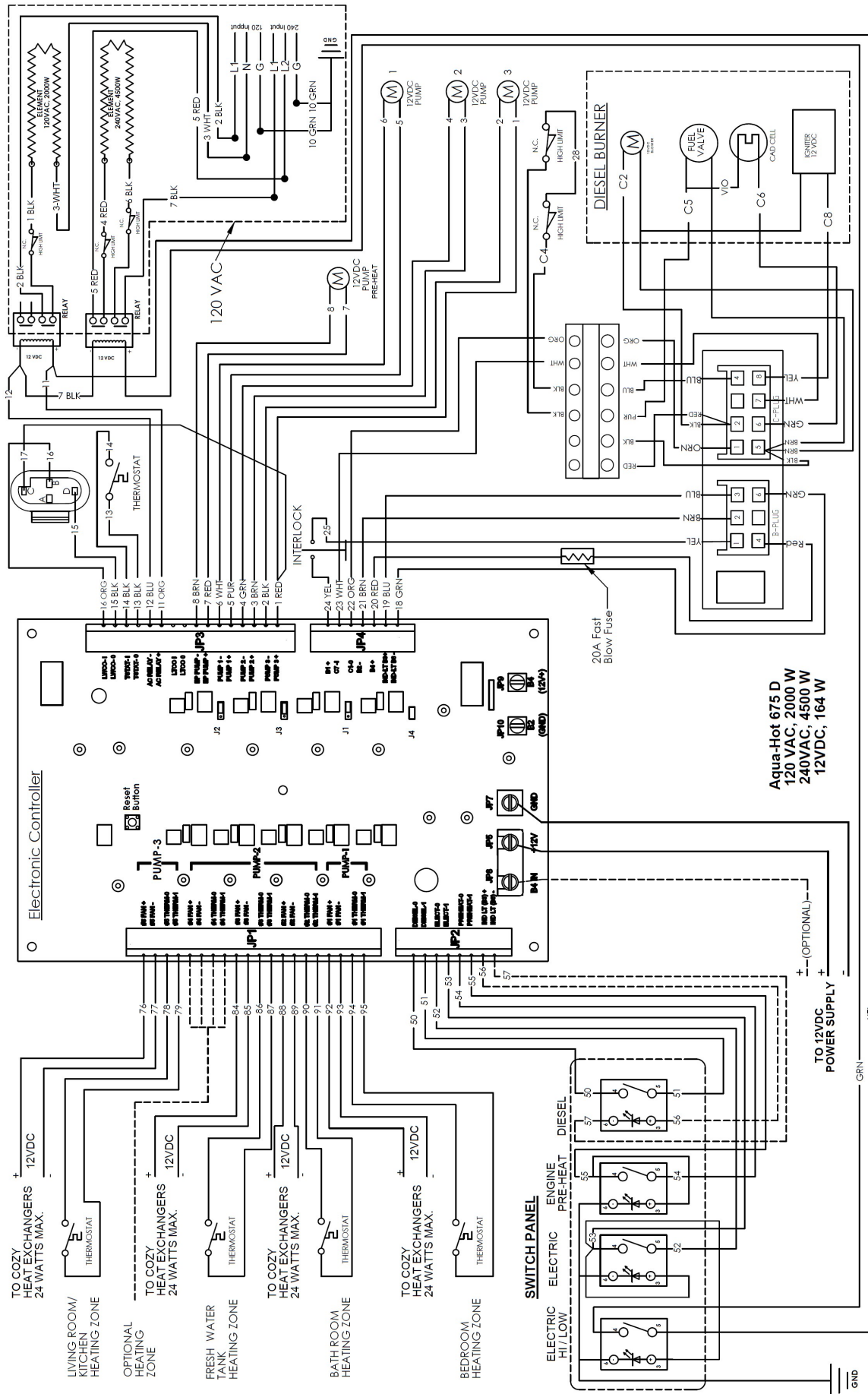
LDE-102-443 (REV: D)

APPENDIX A: WIRING DIAGRAM FOR AHE-675-D03 MANUFACTURED BEFORE JANUARY 2011

AHE-675-D03



AHE-675-D03

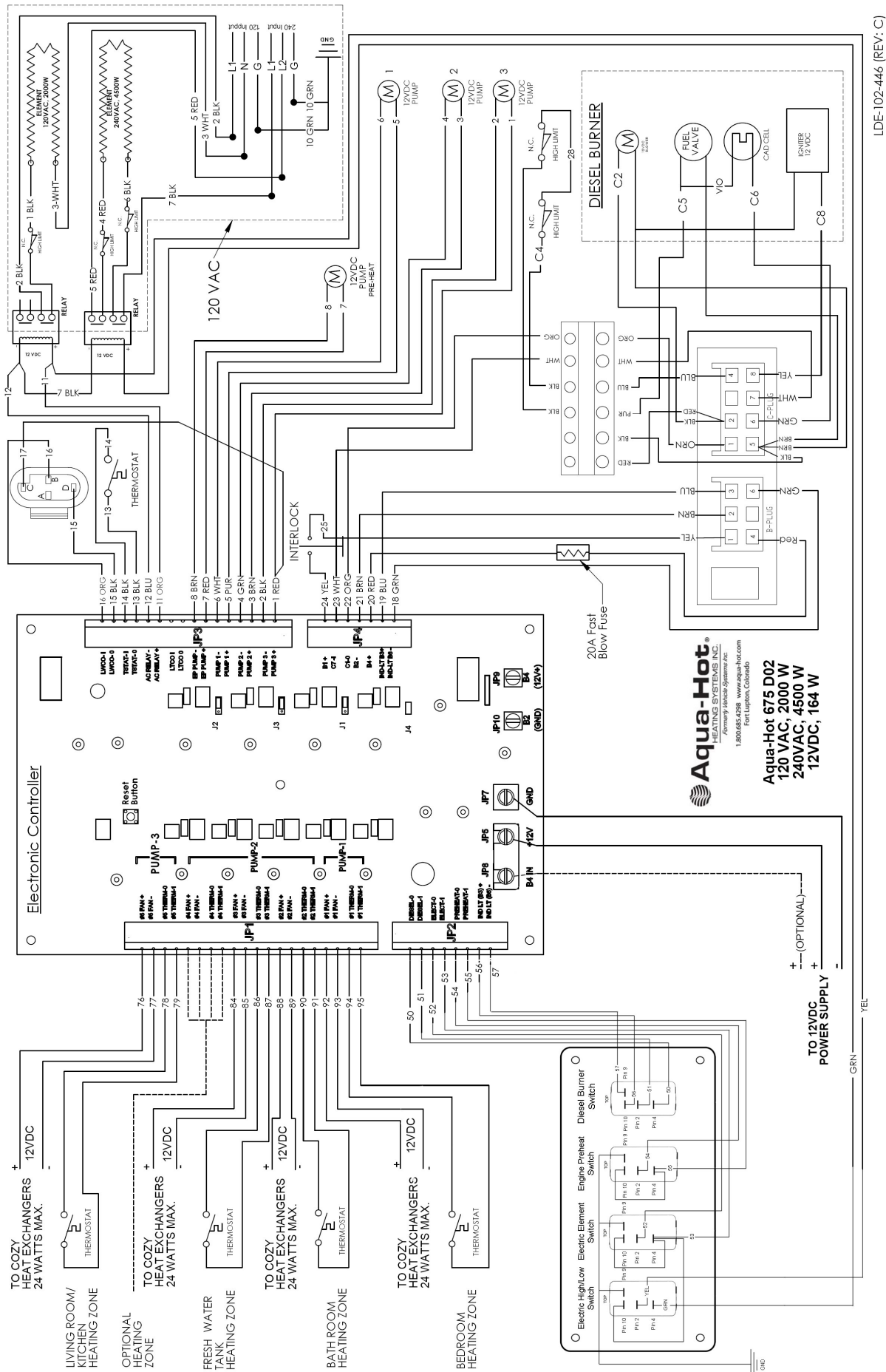


LDE-102-446 (REV: B)

Aqua-Hot 675 D
 120 VAC, 2000 W
 240VAC, 4500 W
 12VDC, 164 W

APPENDIX A: WIRING DIAGRAM FOR AHE-675-D03 MANUFACTURED AFTER JANUARY 2011

AHE-675-D03



LDE-102-446 (REV. C)

Aqua-Hot®
 Hydronic Heating Systems, Inc.
 1,800.685.4398 www.aqua-hot.com
 Fort Lupton, Colorado

Aqua-Hot 675 D02
 120 VAC, 2000 W
 240VAC, 4500 W
 12VDC, 164 W

Because all Aqua-Hot heating systems are designed to operate only when there is an adequate supply of DC (Direct Current) voltage, it is imperative that the proper wire gauge be determined and used for the DC power supply and ground wires. This bulletin addresses how to determine the DC amperage draw of the heating system, including heat exchangers, then, how to determine the proper wire gauge based upon those findings for a specific application.

Figure B1

Aqua-Hot Model	Base DC Amp Draw*
Aqua-Hot 375-D	26 Amps
Aqua-Hot 450-DM	19 Amps
Aqua-Hot 450-DE	19 Amps
Aqua-Hot 525-D	26 Amps
Aqua-Hot 600-D	22 Amps
Aqua-Hot 675-D	22 Amps
* excludes heat exchangers	

Determining the DC Amperage Draw of the Heating System:

1. Review the chart above for the amperage draw of each Aqua-Hot heater (excludes heat exchangers).
2. Determine the number of heat exchangers installed with the Aqua-Hot Heating System.

NOTE: Each heating zone “FAN” circuit can supply up to 2.0 amps of direct current.

3. Consult the heat exchanger’s manufacturer for amp-draw information.

NOTE: Each Aqua-Hot Cozy heat exchanger draws .23 amps of direct current.
Each Aqua-Hot Whisper heat exchanger draws .38 amps of direct current.

4. Determine the total amperage draw for all heat exchangers installed.

For example, if six Aqua-Hot Cozy heat exchangers have been installed, multiply the amperage draw of each heat exchanger (.23 amps) by the number of heat exchangers (6). The total amperage draw in this scenario would be 1.38 amps.

5. Add the total heat exchanger amperage draw to the amperage of the installed Aqua-Hot.

For example, an Aqua-Hot 600-D with six Aqua-Hot Cozy heat exchangers has a total amperage draw of 23.38 amps .

Determining the Proper Wire Gauge:

1. Measure the total length of the wire required for the distance between the vehicle’s battery and the electronic controller for Aqua-Hot models 450-DE, 450-DM, 525-D, 600-D, and 675-D and the heater itself for the Aqua-Hot 375-D model.
2. Using the determined length and total amperage draw, consult the wire gauge chart included in this bulletin. Round up to the closest amp draw listed on the left, then round up to the closest length at the top of the chart.

For example, an Aqua-Hot 600-D heater with six Aqua-Hot Cozy heat exchangers with the electronic controller placed 15 feet from the vehicle’s battery would require an 8-gauge wire.

Wire Gauge Chart:

Figure B2

**AMERICAN BOAT AND YACHT COUNCIL RECOMMENDATIONS
CONDUCTORS SIZES FOR 3% DROP IN VOLTAGE**

Length of Conductor from Source of Current to Device and back to Source—Feet

TOTAL CURRENT ON CIRCUIT IN AMPS.	10	15	20	25	30	40	50	60	70	80	90	100	110	120	130	140	150	160	170
12 Volts - 3% Drop Wire Sizes (gage) - Based on Minimum CM Area																			
5	18	16	14	12	12	10	10	10	8	8	8	6	6	6	6	6	6	6	6
10	14	12	10	10	10	8	6	6	6	6	4	4	4	4	2	2	2	2	2
15	12	10	10	8	8	6	6	6	4	4	2	2	2	2	2	1	1	1	1
20	10	10	8	6	6	6	4	4	2	2	2	2	1	1	1	0	0	0	2/0
25	10	8	6	6	6	4	4	2	2	2	1	1	0	0	0	2/0	2/0	2/0	3/0
30	10	8	6	6	4	4	2	2	1	1	0	0	0	2/0	2/0	3/0	3/0	3/0	3/0
40	8	6	6	4	4	2	2	1	0	0	2/0	2/0	3/0	3/0	3/0	4/0	4/0	4/0	4/0
50	6	6	4	4	2	2	1	0	2/0	2/0	3/0	3/0	4/0	4/0	4/0				
60	6	4	4	2	2	1	0	2/0	3/0	3/0	4/0	4/0	4/0						
70	6	4	2	2	1	0	2/0	3/0	3/0	4/0	4/0								
80	6	4	2	2	1	0	3/0	3/0	4/0	4/0									
90	4	2	2	1	0	2/0	3/0	4/0	4/0										
100	4	2	2	1	0	2/0	3/0	4/0											

Instructions for Checking Fuel Pressure

NOTE:

A fuel pressure gauge is used to properly check the fuel pump's pressure setting. The fuel pump is preset to 145 PSI. Perform the following procedures to check for a proper fuel pressure setting.

NOTE: In order to perform the following procedure it is necessary to detach and reattach the diesel-burner head. Be sure to review the detaching/attaching instructions.

Step 1: Remove the diesel-burner

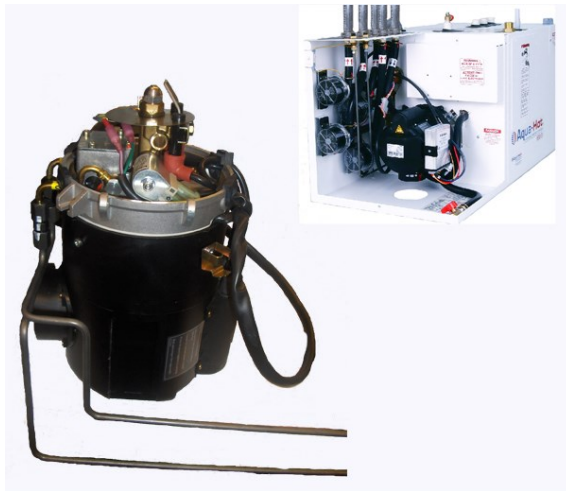


Figure C1

1. Refer to the section on detaching/reattaching the diesel burner, to detach the diesel burner.

Step 2: Install fuel line bypass fittings onto the diesel burner.

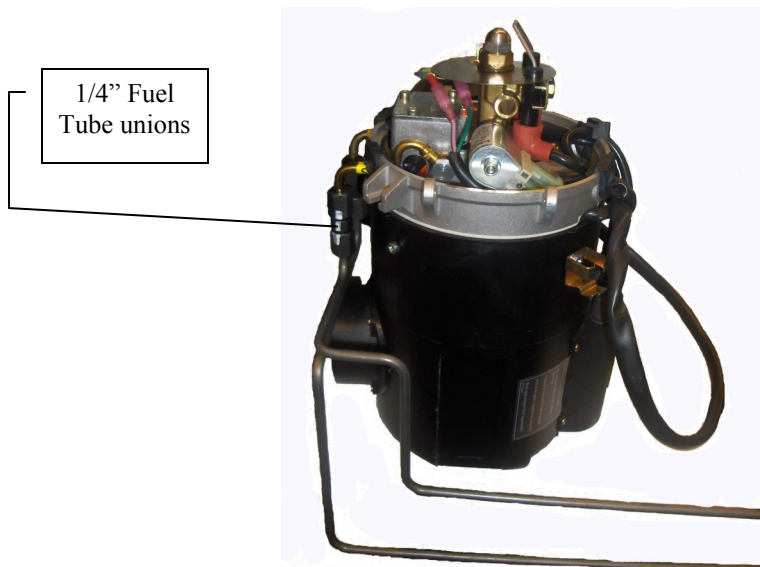


Figure C2

1. Locate the 1/4 " fuel tube unions on the bottom side of diesel burner.

Instructions for Checking Fuel Pressure

Step 2: Install fuel line bypass fittings onto the diesel burner. (continued)



Figure C3

2. Using a 13mm and a 9/16” wrench remove Steel Fuel lines from the diesel Burner



Figure C4

3. Install the fuel bypass fittings onto the diesel Burner

NOTE: It may be possible to install rubber fuel lines over the Steel fuel pipes, instead of disconnecting them and using a fuel bypass fitting.

Instructions for Checking Fuel Pressure

Step 3: Installing the fuel pressure gauge

Figure C5



1. Using a 5/8" and a 3/4" wrench remove the fuel nozzle.

Figure C6



2. Using a 5/8" and a 3/4" wrench install the fuel pressure gauge.

Instructions for Checking Fuel Pressure

Step 3: Running the burner off of an external fuel source



Figure C7

1. Using an external fuel source and rubber fuel line, hook the Webasto burner supply and return fuel lines up to run off of the external fuel source.

WARNING!

A spark will appear across the ignition electrodes for a brief moment after the diesel burner has been activated. **DO NOT** attempt to make any fuel pressure adjustments until the spark has disappeared. Failure to do so may result in serious bodily injury. In some installations it may be necessary to shine a light on the flame sensor to simulate a flame condition to shot of the ignition coil.

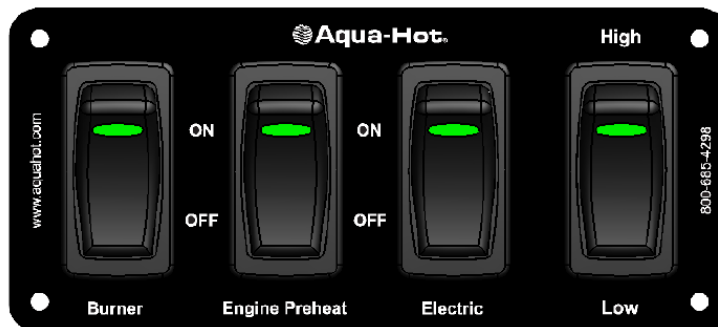


Figure C7

2. Turn the diesel burner switch to the on position. A pressure will register on the fuel pressure gauge once the fuel solenoid opens (after approx. 10-20 seconds).

Instructions for Adjusting Fuel Pressure

Step 1: Follow the directions for Checking the Fuel Pressure in this section.



Figure C8

1. Using an external fuel source and rubber fuel line, hook the Webasto burner supply and return fuel lines up to run off of the external fuel source.

WARNING!

A spark will appear across the ignition electrodes for a brief moment after the diesel burner has been activated. **DO NOT** attempt to make any fuel pressure adjustments until the spark has disappeared. Failure to do so may result in serious bodily injury. In some installations it may be necessary to shine a light on the flame sensor to simulate a flame condition to shot of the ignition coil.

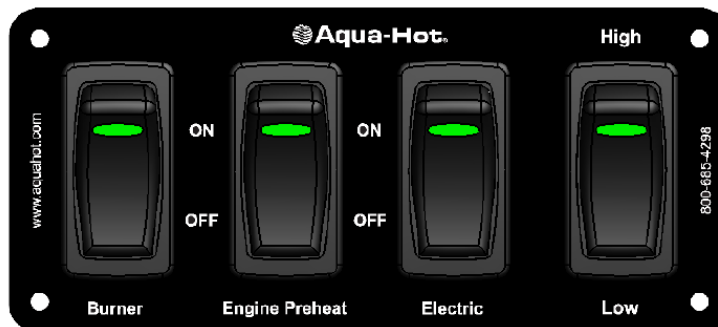


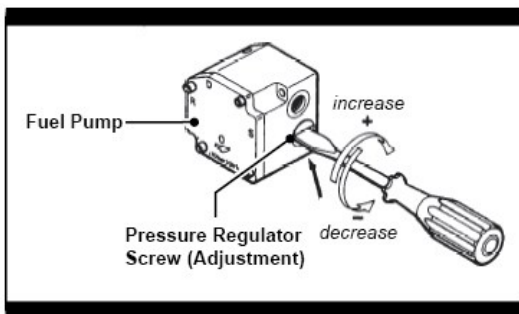
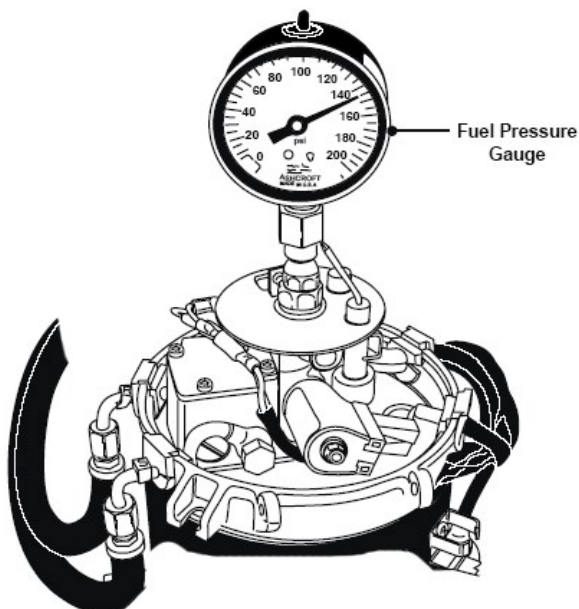
Figure C9

2. Turn the diesel burner switch to the on position. A pressure will register on the fuel pressure gauge once the fuel solenoid opens (after approx. 10-20 seconds).

Instructions for Adjusting Fuel Pressure

Step 2: Adjust the Fuel pressure to 145 PSI.

Figure C10



1. Once the fuel solenoid has been activated, and the fuel pressure gauge is registering a pressure, the fuel pressure can be adjusted. To increase the fuel pressure turn the pressure adjustment screw clockwise, and to reduce the fuel pressure, turn the pressure adjustment screw counter clockwise.

NOTE: If the fuel pressure cannot be adjusted refer to the fuel pump section in section 10 of this manual for troubleshooting tips.

WARNING!

When storing the Motorhome: Not winterizing the Aqua-Hot when freezing temperatures are present will result in serious damage to the Aqua-Hot's Domestic Water Heating System. Also, be sure to use an FDA approved, "GRAS" rated antifreeze for winterization.

NOTE: The Aqua-Hot can continue to be used for interior zone heating once the domestic water heating system has been drained and winterized.

Diesel-Burner

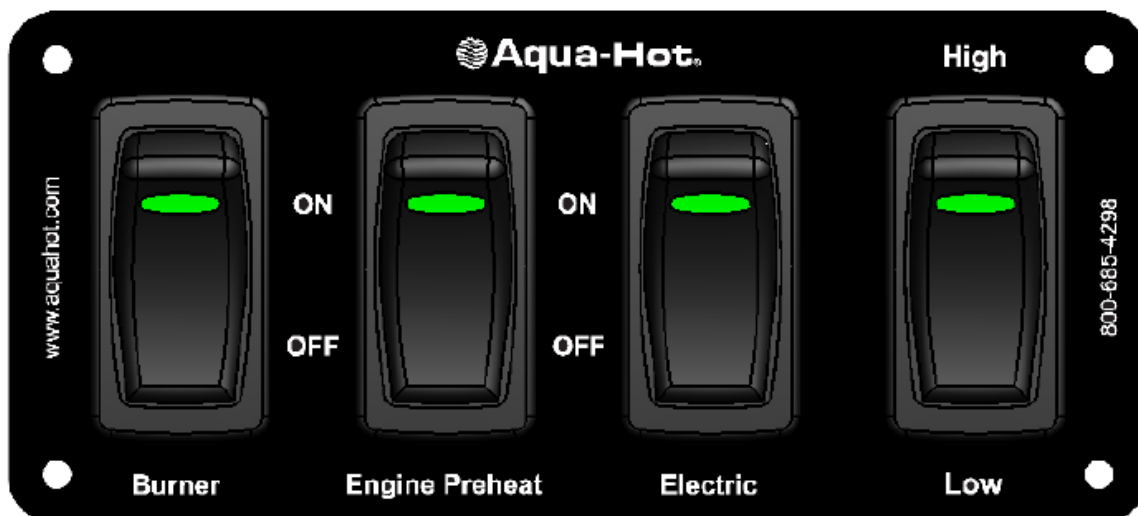
1. If the Diesel burner Fails to operate:
 - A. Is the Diesel Fuel in the motor home winter fuel or summer fuel?
 - B. Is the Diesel Fuel liquid or Jelled?
 - C. Are the electrodes properly adjusted?
 - D. When was the last time an Annual Service was performed?

120 Volt-A.C. Electric Heating Element

Please note that the 120 Volt-AC Electric Heating Element is the Aqua-Hot's **secondary heat source** for heating both the interior and/or the domestic hot water during low heating demand situations (such as when moderate ambient temperatures exist and/or when there is a low demand for domestic hot water).

If the 120 Volt-AC Electric Heating Element is not providing enough heat, turn the Diesel-Burner on, in conjunction with the 120 Volt-AC Electric Heating Element.

Figure D1



If there is a lack of interior Heat:

Note: The 120 Volt-AC Electric Heating Element is the Aqua-Hot's **secondary heat source** for heating both the interior and/or the domestic hot water during low heating demand situations (such as when moderate ambient temperatures exist and/or when there is a low demand for domestic hot water). If the ambient temperature is ex-

1. Is the Diesel Burner activated?
2. Is the Diesel Burner operating Properly?
3. What is the antifreeze concentration, inside of the Aqua-Hot Boiler Tank?
4. Was the heating system properly installed, following the 600 installation manual?
 - A. Are there at least 5 heat exchangers installed in the Interior of the motor home?
 - B. Are there cold air returns installed for every heat exchanger? Reference Figure D3.
 - C. Are the heat exchangers mounted as close to the hot air outlet grill as possible? Reference Figure D2.

Figure D2

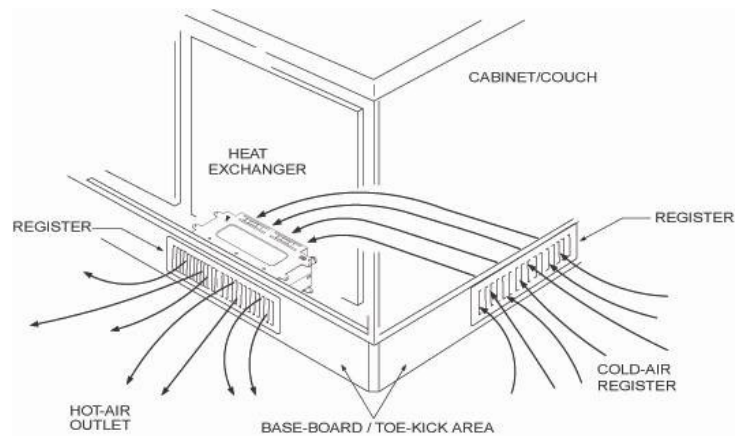
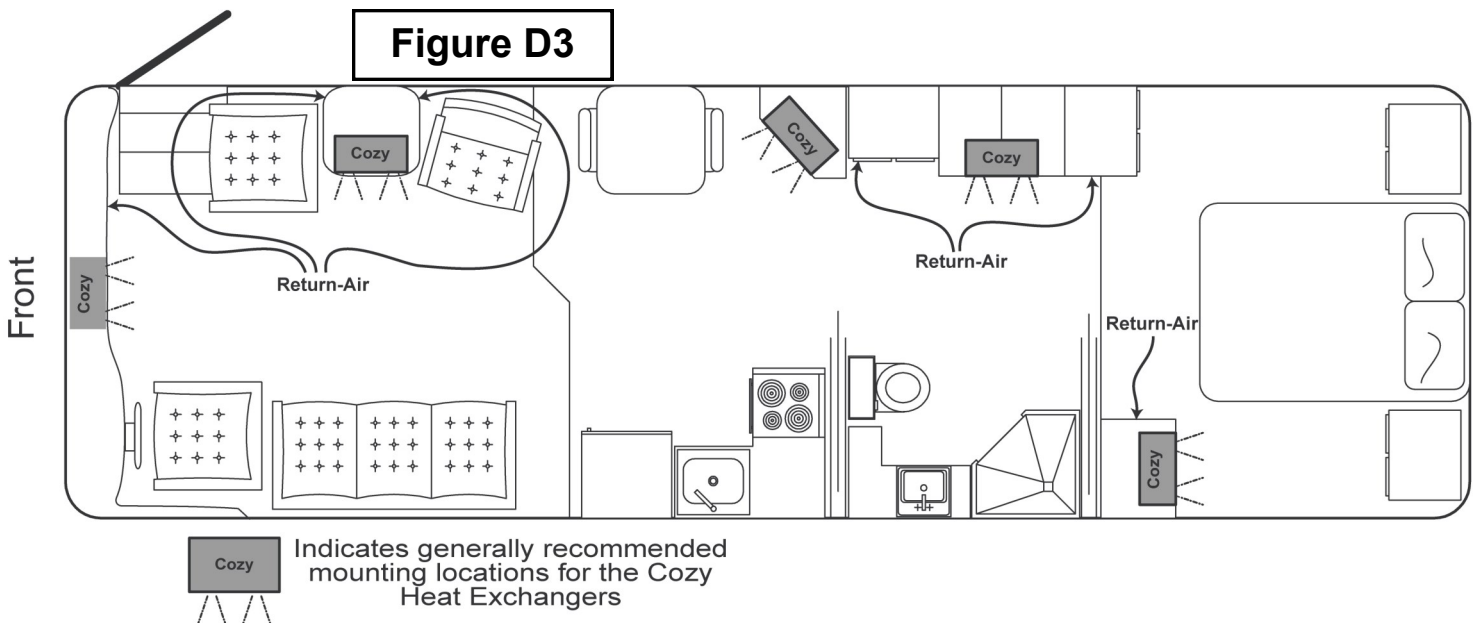


Figure D3



Monthly Maintenance:

Check the antifreeze and water heating solution to ensure that it is at the proper level by visually checking the solution level in the expansion tank. The level of the antifreeze and water heating solution within the expansion tank should only be checked when the Aqua-Hot is at maximum operating temperature.

If additional antifreeze and water heating solution is required, fill the expansion tank to the “HOT” level mark. Be sure to reference Section 2 of this manual to ensure that the proper type of antifreeze is selected and mixed with high-quality water at the correct mixture ratio.

Additionally, it is recommended that the diesel-burner be fired and allowed to run monthly to keep it in good working order.

Annual Maintenance:

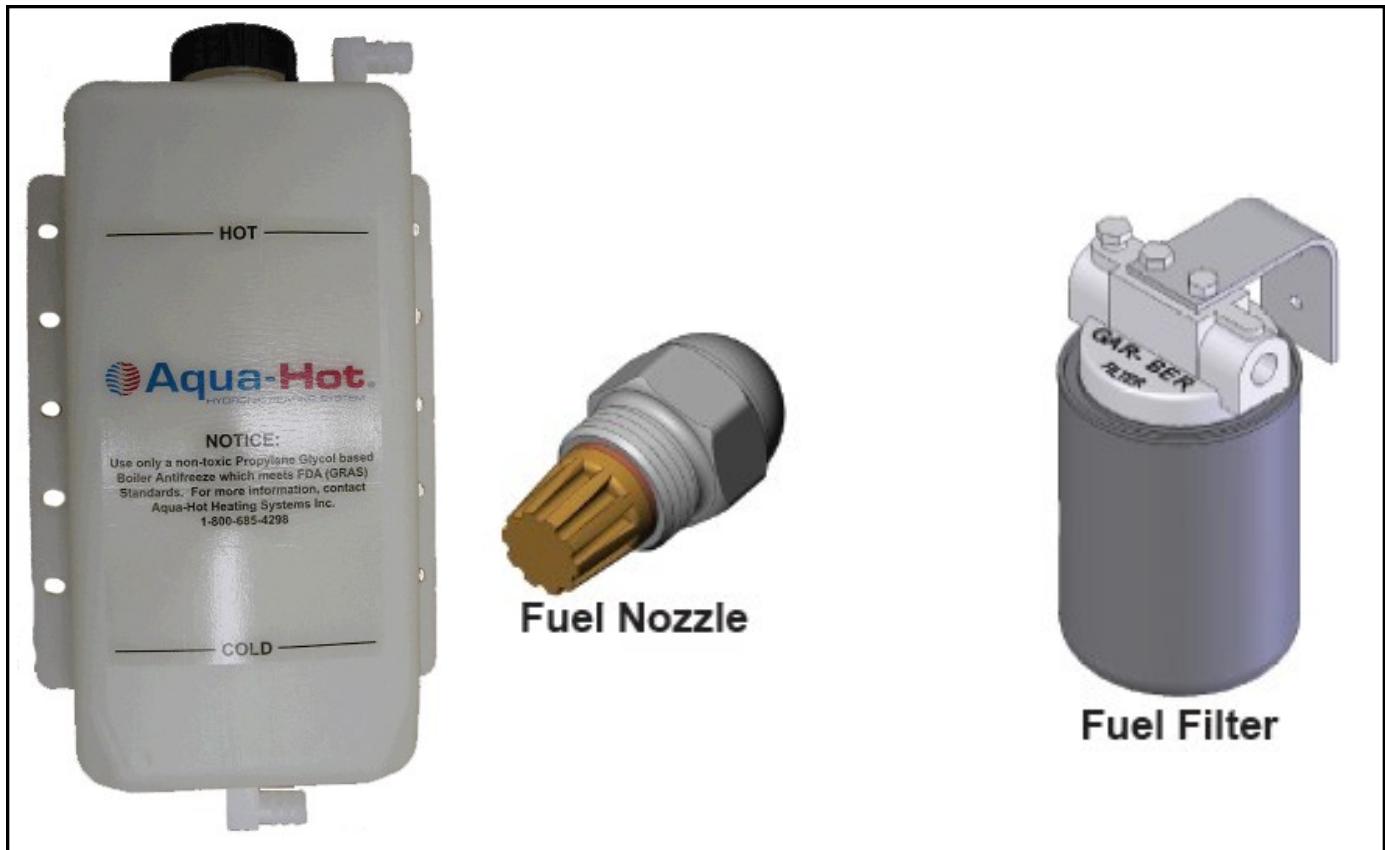
⚠ DANGER! ⚠

FAILURE TO DISCONNECT ALL POWER SUPPLIES AND/OR TO ALLOW THE HEATER TO COOL BEFORE SERVICING COULD CAUSE SERIOUS DAMAGE OR PERSONAL INJURY.

To keep the Aqua-Hot running smoothly, it is recommended to have the diesel-burner tuned up annually. A tune-up should consist of a new fuel nozzle and fuel filter, along with a thorough cleaning of the combustion chamber. To ensure maximum diesel-burner performance, always use the recommended fuel nozzle and fuel filter when replacing these parts.

NOTE: Be sure to use care when handling the fuel nozzle. Oils and/or small dust or dirt particles from the hands may plug the nozzle’s small orifice. A partially plugged orifice will restrict fuel flow, which will affect the combustion process of the diesel-burner.

Figure E1



Aqua-Hot Maintenance Procedure:

Note: Before performing an annual maintenance, it is recommended to test run the Diesel-Burner. While testing inspect exhaust for smoke.

Step 1: Test Run the Diesel Burner

1. Turn the Diesel-Burner Switch to the on position.
2. After the Diesel-Burner has ignited, inspect the exhaust for smoke.
3. Shut the Diesel-Burner off, and wait for unit to completely shut off.

NOTE: The diesel-burner can either be shut off by:

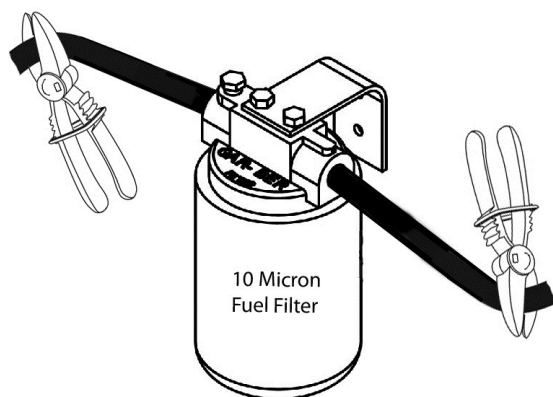
1. Turning the Diesel Burner switch to the off position.
2. Disconnecting the control thermostat wires
3. Unplugging the diesel burner controller.

Reference Figure E3

Step 2: Replace the Fuel Filter

1. Locate Fuel Filter.
2. Using hose pinch off pliers, clamp off both fuel lines going to the fuel filter. Reference figure E2.

Figure E2



3. Replace fuel filter, with proper replacement canister.

NOTE: It is recommended that the replacement fuel filter be filled with clean diesel fuel, prior to installation

4. Remove hose pinch off pliers.

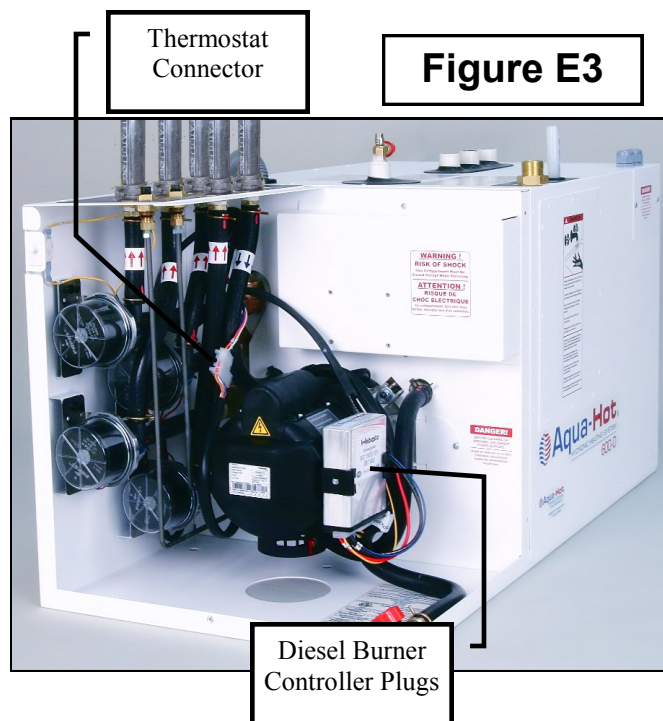
Step 3: Run the Diesel Burner

1. Turn the Diesel-Burner Switch to the on position.
2. After the Diesel-Burner has ignited, let it burn for 1 - 2 minutes to purge the old fuel out of the nozzle holder, to prevent contamination of the replacement nozzle.
3. Shut the Diesel-Burner off, and wait for unit to completely shut off.

NOTE: The diesel-burner can either be shut off by:

1. Turning the Diesel Burner switch to the off position.
2. Disconnecting the control thermostat wires
3. Unplugging the diesel burner controller.

Reference Figure ??



Aqua-Hot Maintenance Procedure:

Step 4: Remove The Diesel Burner

CAUTION!

Be sure to clamp off the Fuel Supply and Return lines at the ports on top of the Aqua-Hot prior to beginning this replacement procedure.

Figure E4a

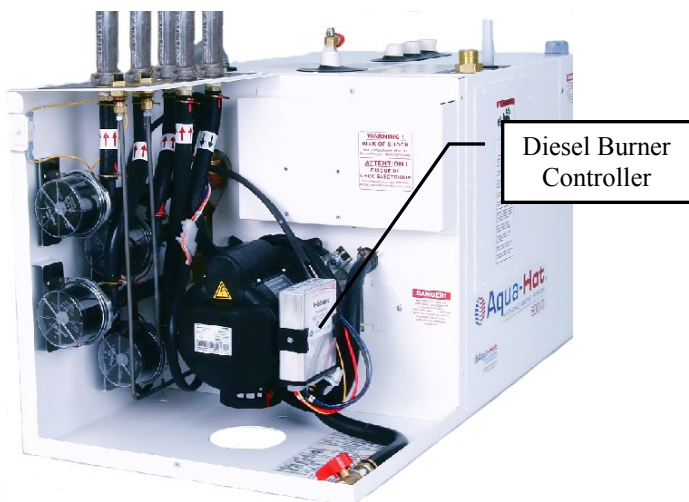


Figure E4b



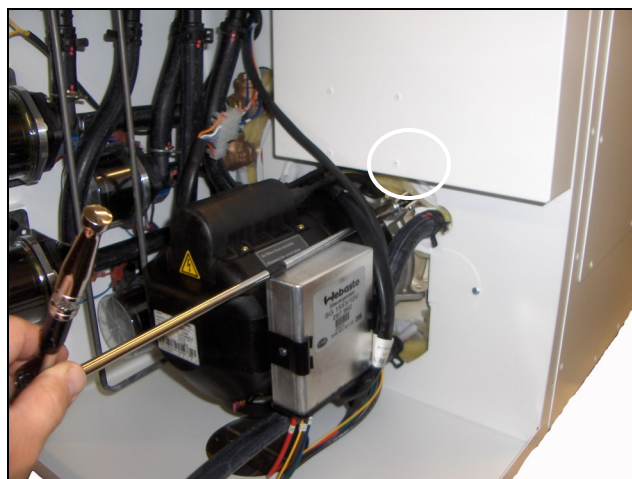
1. Locate the Diesel-Burner's Controller and disconnect both plugs.

2. Using an 7/16 wrench, loosen the nuts securing each fuel line to the Aqua-Hot.

Figure E4c



Figure E4d

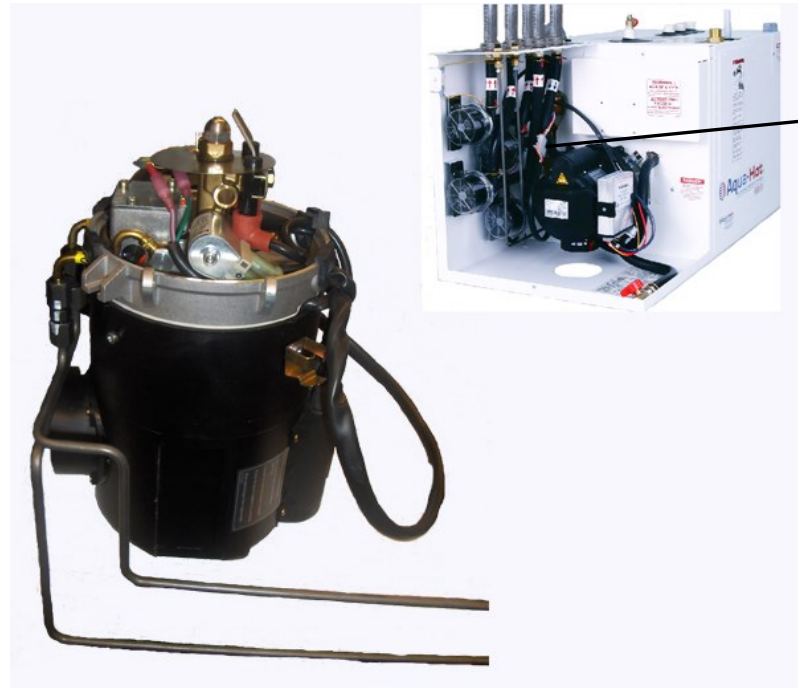


3. The Diesel-Burner is secured to the Aqua-Hot with two nuts that can be loosened, and swung out of the way by using a 10mm socket wrench with a 10 inch long extension.

Aqua-Hot Maintenance Procedure:

Step 4: Remove The Diesel Burner (continued)

Figure E5



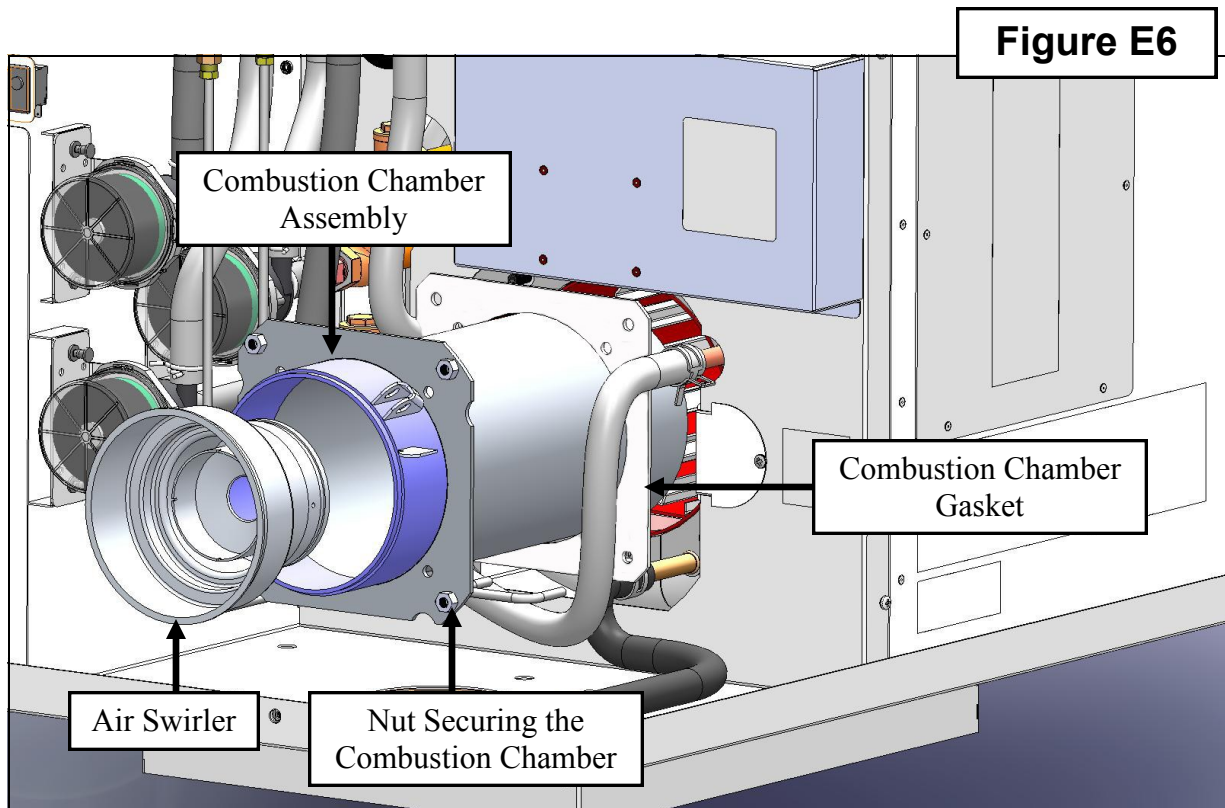
Diesel Burner's white
Thermostat Plug

4. Carefully pull the Diesel-Burner away from the Aqua-Hot 4 to 5 inches before rotating the burner, and then remove.

NOTE: To remove the diesel burner, it may be necessary to disconnect the control and hi limit thermostats from the diesel-burner's white thermostat plug.

Step 5: Clean and Inspect the Combustion Chamber and Heat Transfer Tabs.

⚠ DANGER! ⚠
Use caution when handling the combustion chamber, it may be extremely hot, and serious burns could result from touching a hot combustion chamber.

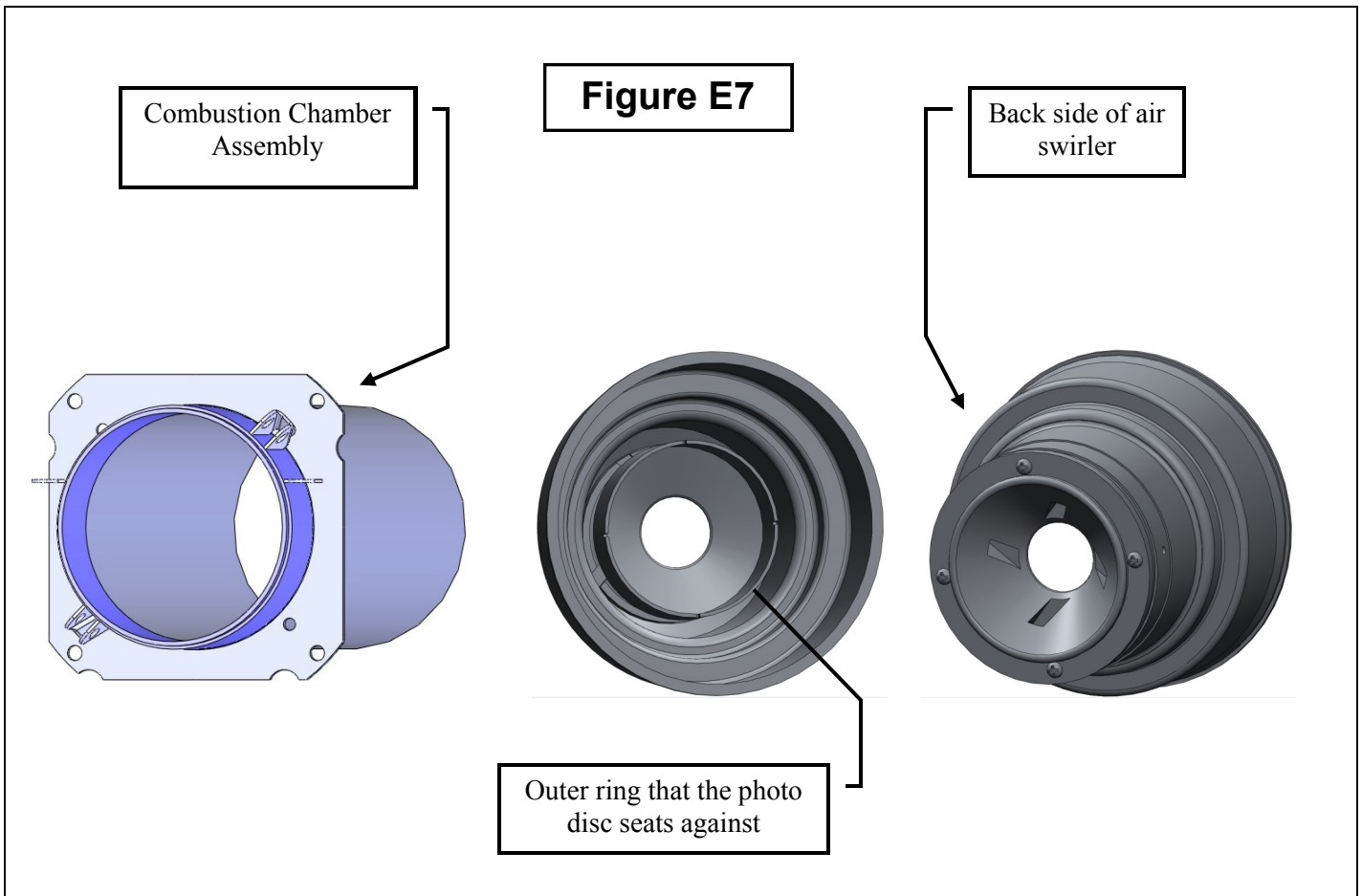


1. Remove the combustion chamber by loosening and removing the 4 nuts, securing the combustion chamber to the boiler tank and pulling it straight out, approximately 16 inches.

2. Once the combustion chamber has been removed. Use a long handled wire brush, and brush the heat transfer tabs, to loosen soot deposits. Failure to do so will reduce the Aqua-Hot's heat transfer capabilities.

NOTE: If the heat transfer tabs are excessively sooty, it may be necessary to vacuum the soot out of the heat transfer tabs. If there is a minimal amount of soot, it may be left in the heat transfer tabs, and will be evacuated out the exhaust pipe, upon start up of diesel burner.

Step 5: Clean and Inspect the Combustion Chamber and Heat Transfer Tabs.

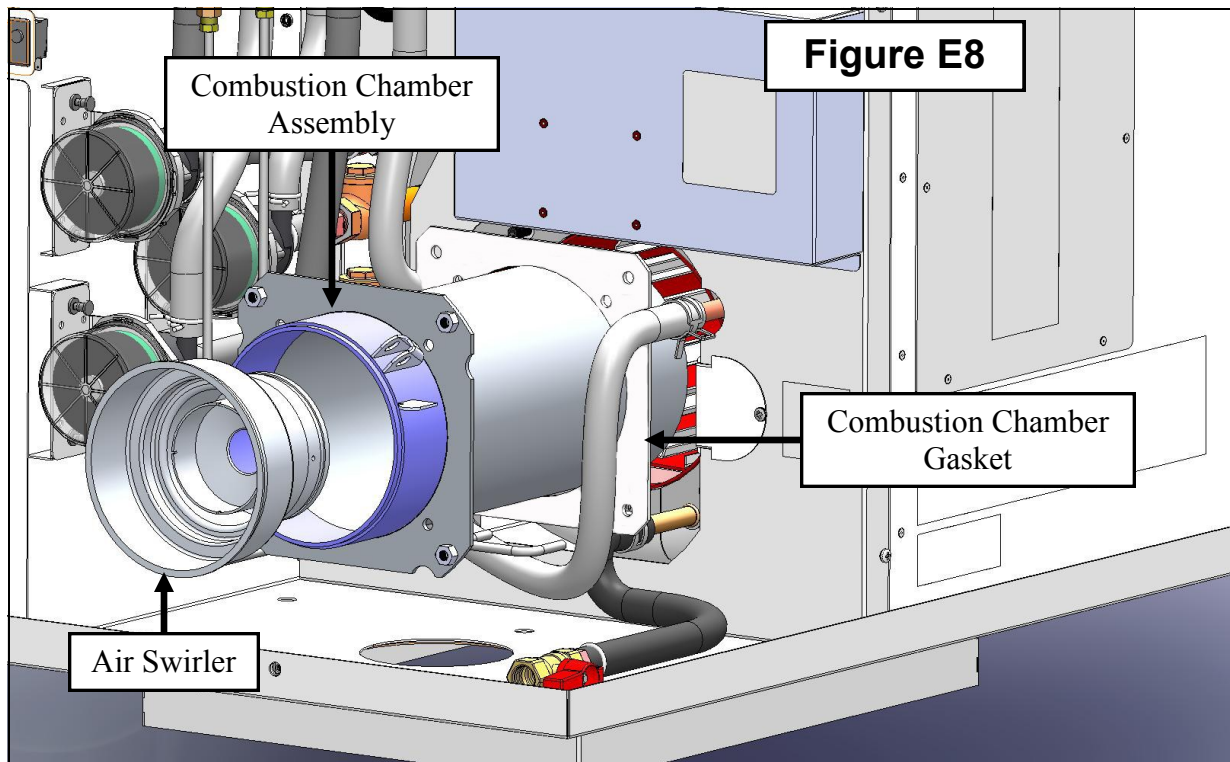


3. Inspect the Combustion Chamber Assembly and Air Swirler for damage or signs of warping.
 1. Remove and Inspect the aluminum Air Swirler for signs of warping. If any part of the Air Swirler is warped the Air Swirler must be replace.
 - A. Inspect the outer ring that the photo disc seats against for signs of warping.
 - B. Inspect the back side of the Air Swirler for signs of warping between screws.

Step 6: Reinstall the Combustion Chamber

CAUTION!

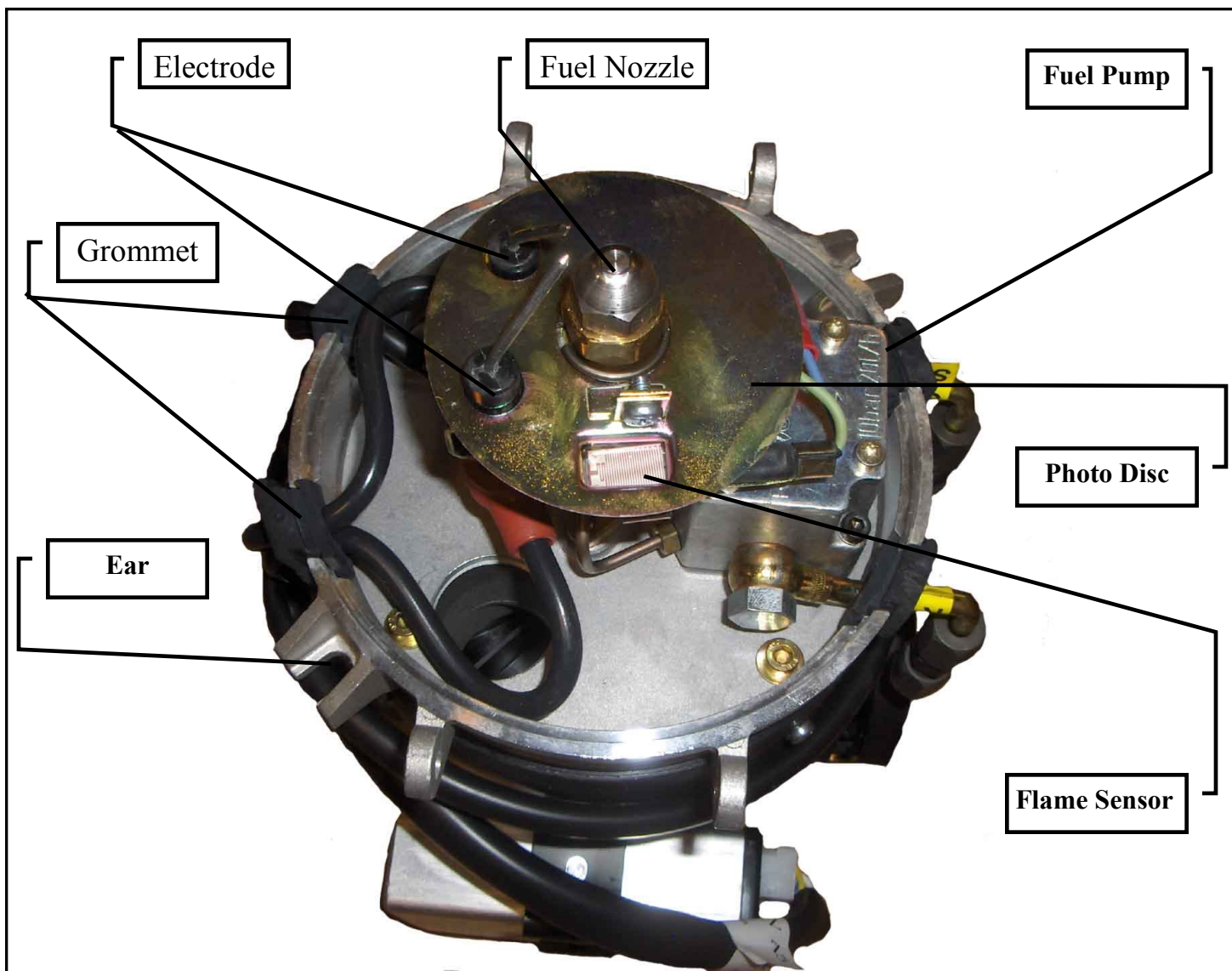
Failure to reinstall the combustion chamber will result in serious damage to the diesel burner.



1. Reinstall the Combustion Chamber Assembly and the Air Swirler into the Aqua-Hot. Please note: It will be necessary to replace the combustion chamber gasket, anytime the combustion chamber is removed.

Step 6: Inspect Diesel-Burner

Figure E9



Inspect the following:

1. Electrodes
 - damaged
 - improperly adjusted
2. Fuel Pump
 - leaks
3. Photo disc
 - warped
 - bent
4. Harness & Ignition Coil Wires
 - crack or bare wires
 - Hard or brittle wires

5. Flame Sensor
 - cracked
 - overheated (purple color)
 - melted wires
 - dirty
6. Rubber Grommets
 - hard/brittle
 - rubber has been cut out
 - right/left
7. Broken or cracked "Ears"
 - due to over tightening of eyebolts.

Step 7: Clean Ignition Electrodes and Flame Sensor

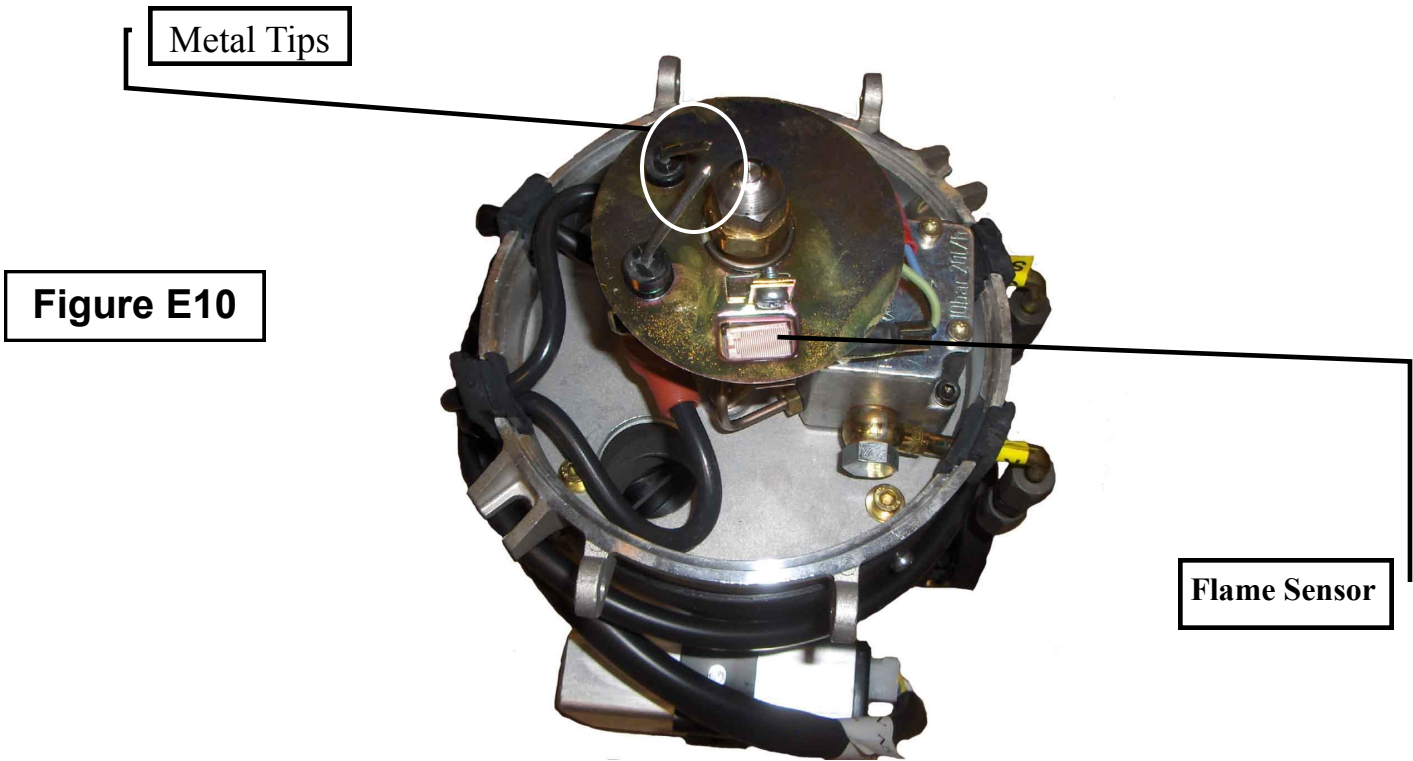


Figure E10

1. Ignition electrodes -

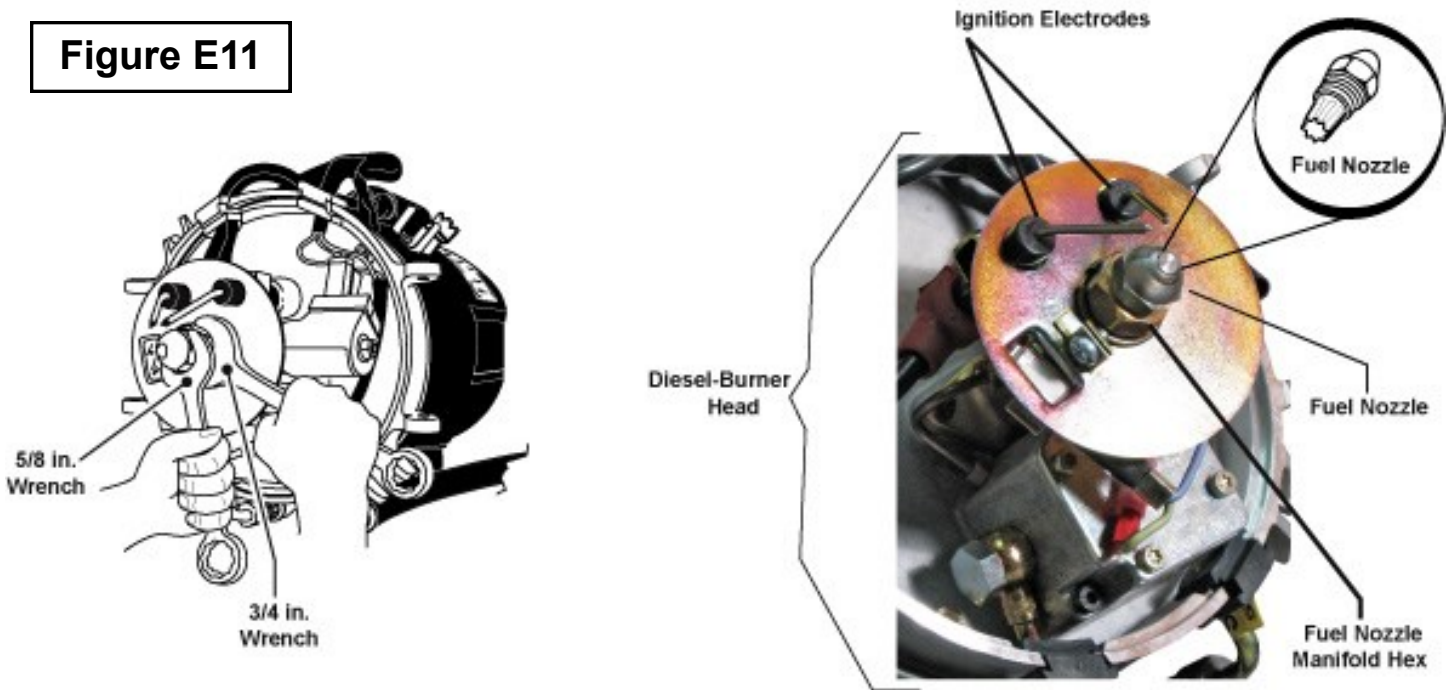
- A. Polish away any carbon deposits that may have baked onto the metal tips of the ignition electrodes with a course sponge.

2. Flame Sensor -

- A. For light dirt, dust, and/or carbon deposits, simply wipe off the flame sensor with a soft cloth.
- B. Should heavy carbon deposits be present, completely remove the flame sensor from the photo disc and clean with brake cleaner.

Step 8: Replace The Fuel Nozzle

Figure E11



1. Use a 3/4 in. wrench to hold the fuel nozzle manifold hex, while loosening the fuel nozzle with a 5/8 in. wrench and remove.

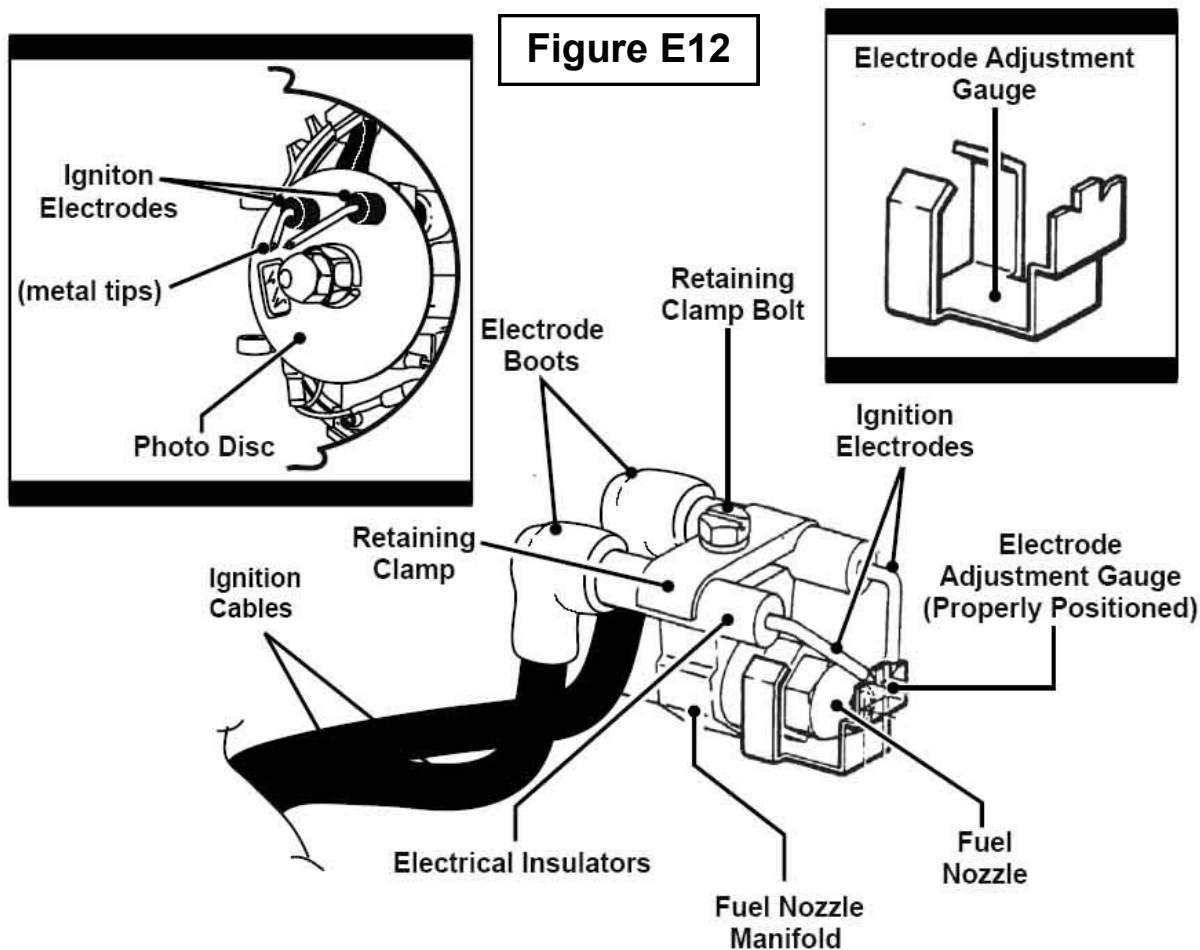
NOTE: Be sure to use care when handling the new fuel nozzle. Oils and/or small dust or dirt particles from your hands may plug the nozzle's small orifice. A partially plugged orifice will restrict fuel flow, which will affect the combustion process of the diesel-burner.

2. When replacing the fuel nozzle, be sure to tighten the nozzle, loosen it a 1/4 turn, and then firmly retighten. This will establish a seated fit and avoid any leaks.

⚠ DANGER! ⚠

Be sure to reattach the diesel-burner head prior to switching the heater ON. Failure to do so may result in ignition of the diesel-burner and serious bodily injury.

Step 9. Adjust Ignition Electrodes



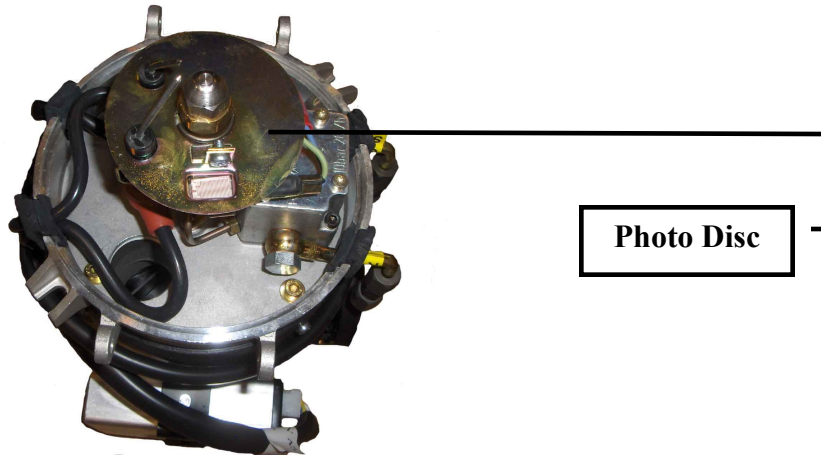
1. Using a 10mm socket, slightly loosen the retaining clamp bolt.
2. Place the electrode adjustment gauge on the nozzle manifold hex and insert the metal tips of the ignition electrodes into the appropriate notches of the electrode adjustment gauge.
3. Using a 10 mm socket, tighten the retaining clamp bolt.

NOTE: Be sure not to over-tighten the retaining clamp bolt when readjusting the ignition electrodes. Over-tightening the retaining clamp bolt will bend the retaining clamp and prevent the photo disc from floating freely. Not allowing the photo disc to float freely will cause poor combustion and result in a smoky exhaust. A bent retaining clamp can be re-straightened with a punch and hammer. Lay the clamp's beveled side down on a solid flat surface and align the thick end of the punch at dead center. Tap the punch lightly until the retaining clamp returns to proper form.

4. Remove the electrode adjustment gauge.

Step 10: Inspect Photo Disc

Figure E13



1. If the photo disc is not free floating, the electrode clamp bolt has been over-tightened, and has bent the electrode clamp. Using a 10mm socket remove the electrode clamp, and re-straighten.

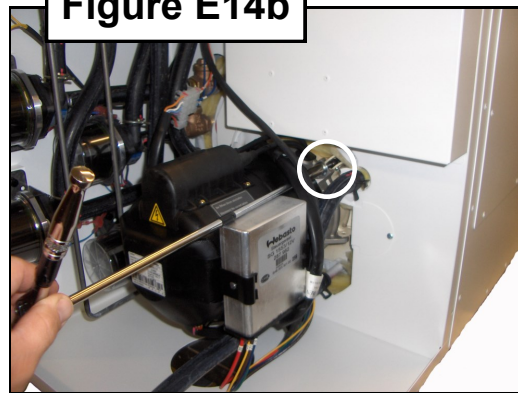
-Lay the clamp's beveled side down on a solid flat surface and align the thick end of the punch at dead center. Tap the punch lightly until the retaining clamp returns to proper form.

Step 11: Re-Install Diesel Burner

Figure E14a



Figure E14b



NOTE: When reinstalling the diesel burner be careful not to damage the photo disc or bend the electrodes. Also, be careful to not pinch any wires between the burner and the Aqua-Hot Tank.

1. Align the Diesel-Burner with the Aqua-Hot, using the alignment tabs welded on the Aqua-Hot.
2. Swing the Eye Bolts around the "Ears" on the diesel burner and securely tighten, using a 10mm socket with a 10 inch long extension.

Use extreme caution when tightening down the eye-bolt nuts, over tightening of the eye-bolt nuts can cause the aluminum blower casing to crack. (Torque Specifications = Approximately 20-40 in. lbs.)

Step 12: Reconnect the Fuel Lines

Figure E15



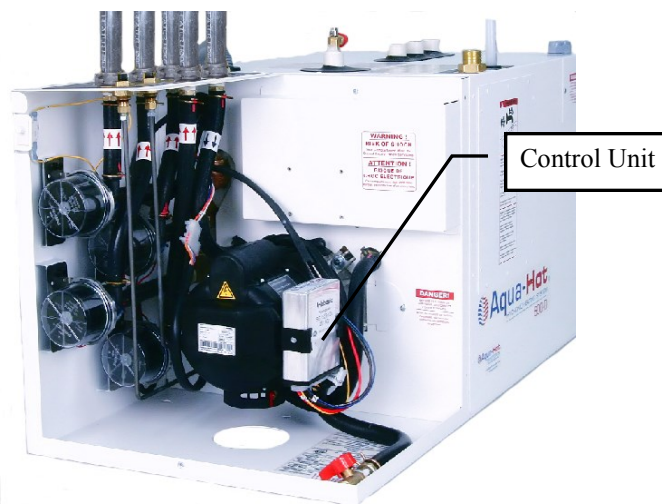
1. Align the fuel lines on the diesel burner with the fittings on the Aqua-Hot, and using a 7/16 inch wrench, tighten down both the supply and return fuel fittings.

CAUTION!

Be sure to remove the clamps, off of the Fuel Supply and Return lines at the ports on top of the Aqua-Hot prior to starting the diesel burner, or serious damage will occur to the diesel-burner's fuel pump.

Step 13: Plug in the diesel-burner's controller and mount

Figure E16



1. Locate the Diesel-Burner's Controller and connect both plugs.

NOTE: The Diesel Burner's Controller might have to be mounted onto the side of the diesel burner, before the plugs are inserted into the control unit, otherwise it might not be possible to mount the control unit.

Step 14: Re-Install the Aqua-Hot Access Cover

NOTE: The access cover must be installed prior to operation as a safety switch exists, which will prevent the Aqua-Hot from operating whenever the access cover is not properly installed.

Figure E17a

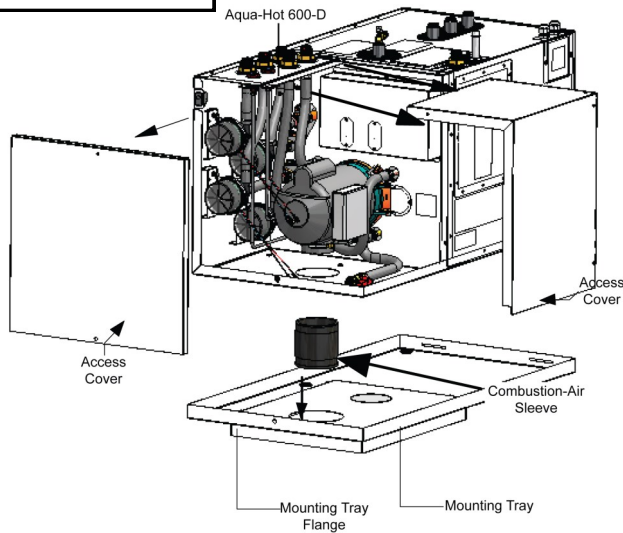


Figure E17b



1. Reinstall the Aqua-Hot's access cover .
2. Securely tighten the four screws securing the access cover in place.

Step 15: Test for Normal Operation

- A. Turn the Diesel-Burner switch on, and let the diesel burner run for a complete cycle, until it shuts off on it's own.
- B. After the Diesel-Burner has shut off, turn on the interior heat/run hot water, until the Diesel Burner cycles back on. When the diesel burner cycles back on, check the exhaust for signs of smoke.

WARNING!

Not winterizing the Aqua-Hot when freezing temperatures are present will result in serious damage to the Aqua-Hot's domestic water heating system. Also, be sure to use an FDA approved, "GRAS" rated antifreeze for winterization.

NOTE: The Aqua-Hot can continue to be used for interior zone heating once the domestic water heating system has been drained and winterized.

The Aqua-Hot's domestic water heating system must be completely drained of domestic water any time the heater is stored where freezing temperatures may be experienced.

Winterizing the Domestic Water Heating System:

Please follow these instructions when winterizing the Aqua-Hot's domestic water heating system.

1. Completely drain the fresh water storage tank.
2. Disconnect the domestic water demand pump's suction line from the fresh water storage tank.
3. Attach an adequate piece of hose onto the suction side of the domestic water demand pump.
4. Place the opposite end of the hose into an adequate supply of FDA-approved "GRAS" RV Antifreeze.

5. Open and close all interior and exterior water faucets, one at a time, until only pure RV Antifreeze is present. Perform this procedure for both the hot and cold faucets.
6. Remove the hose and reconnect the domestic water demand pump's suction line to the fresh water storage tank.

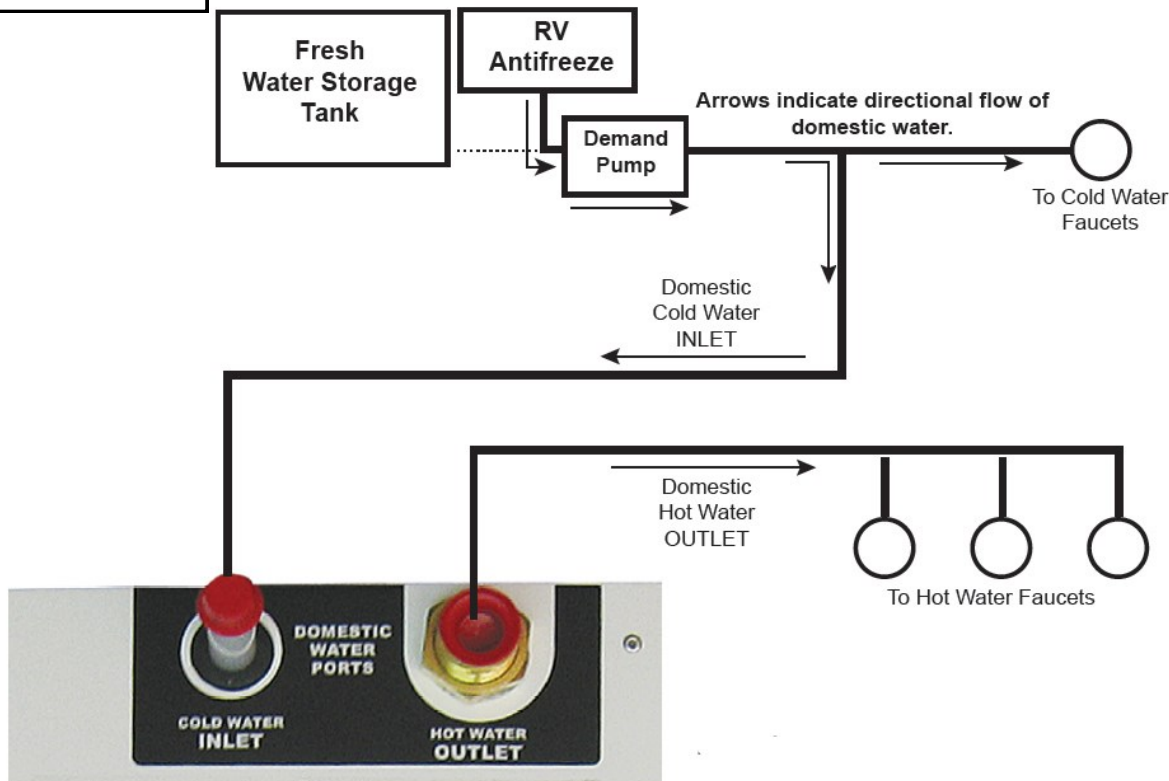
De-Winterizing the Domestic Water Heating System:

For de-winterization, completely fill the fresh water storage tank. Open and close all interior and exterior water faucets, one at a time, until only clear water is present/visible.

If disinfecting the potable water system after de-winterizing, be sure to follow RVIA's "Instructions for Disinfection of Potable Water Systems on Recreation Vehicles." These instructions can be obtained by contacting the Recreational Vehicle Industry Association at (703) 620-6003, visiting them online at www.rvia.com, or writing to them at the following address:

Recreation Vehicle Industry Association
 1896 Preston White Drive
 P.O. Box 2999
 Reston, VA 20195-0999

Figure F1





Aqua-Hot®
HYDRONIC HEATING SYSTEM

600-Series

SERVICE MANUAL



Aqua-Hot®
HEATING SYSTEMS INC.

15549 East Highway 52 | Fort Lupton, CO 80621
Toll free: 800.685.4298 | phone: 303.659.8221 | fax: 303.857.7881
www.aquahot.com