

PARTS MANUAL

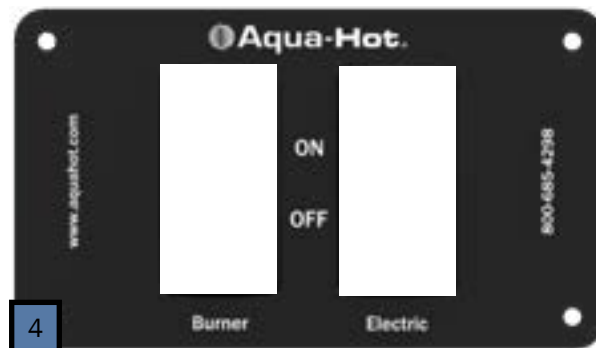
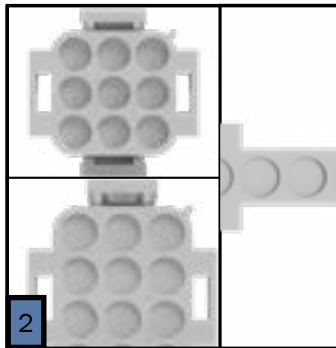
400 Series



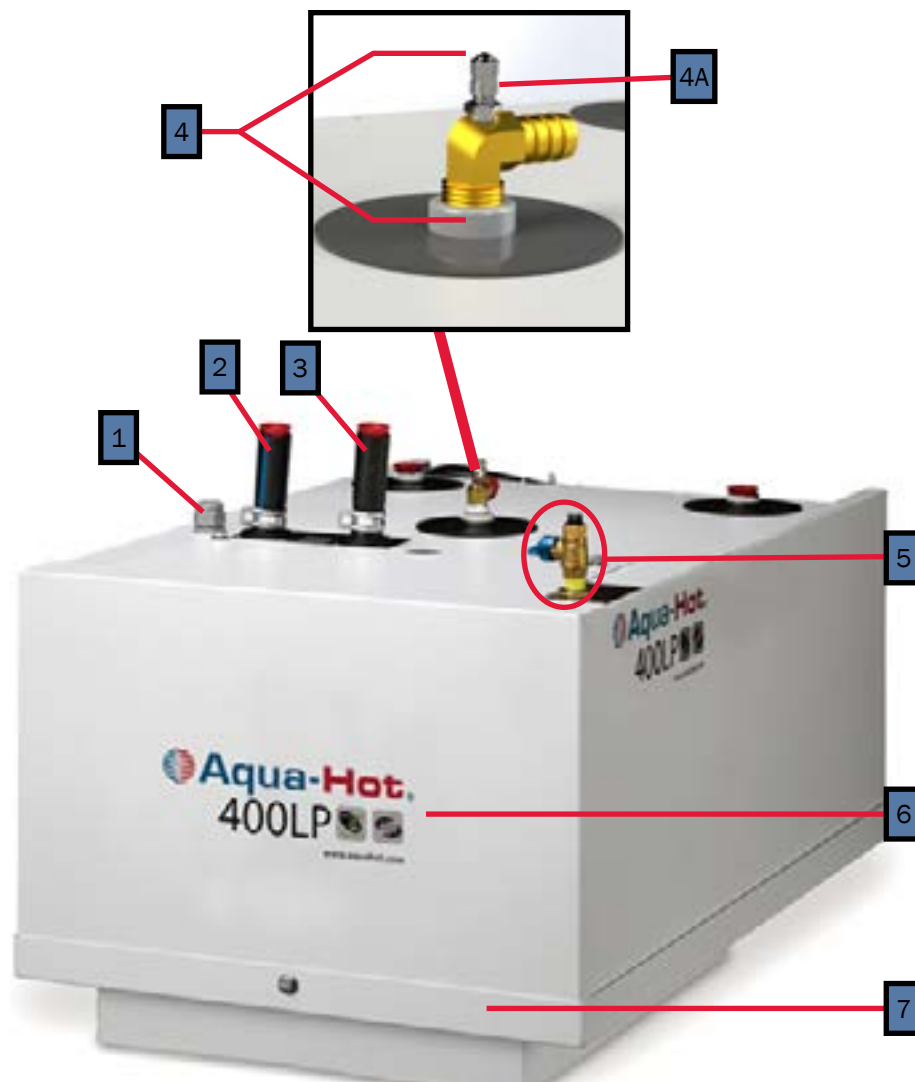
AHE-400-P02
with



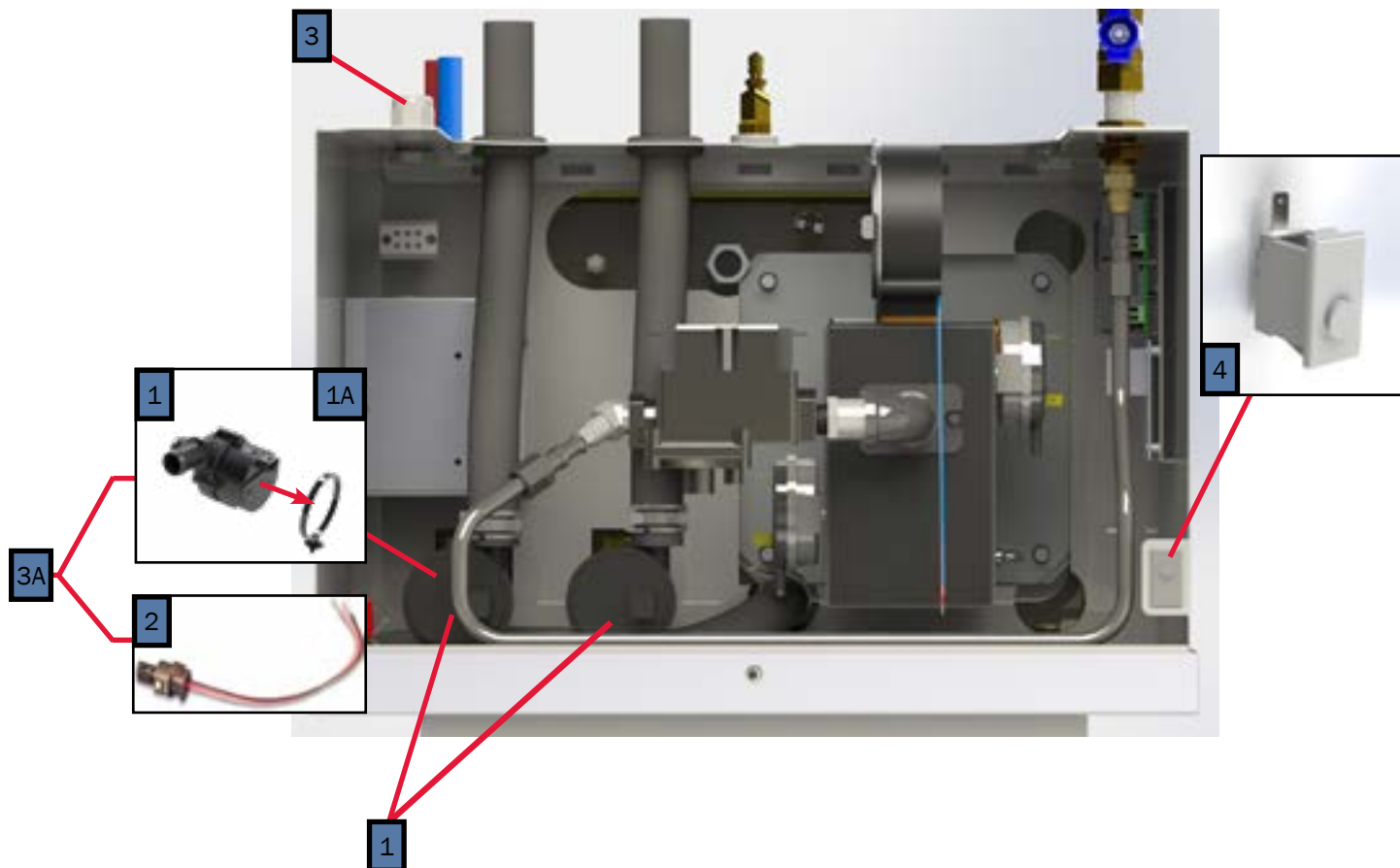
NOTE: Service parts and accessories are available through Aqua-Hot Factory Authorized Service Centers or www.aquahot.com. Click on the part number to direct you to the Aqua-Hot webstore to purchase.



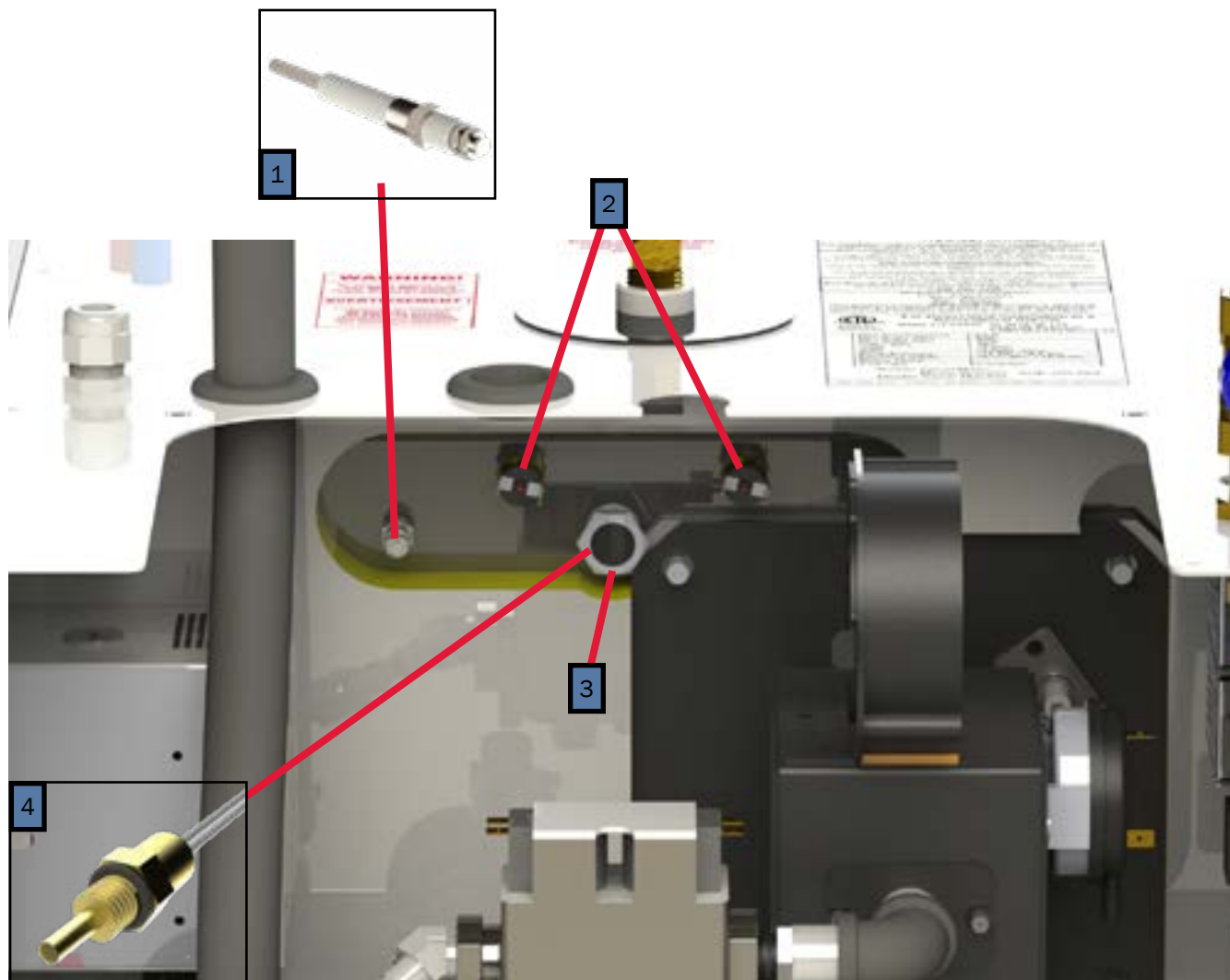
| Key | Part Number | Beginning of Use | Description |
|-----|-----------------------------|------------------|--|
| 1 | ELE-PCB-501 | - | Kit, Reporter Controller w/ Terminals |
| 2 | ELE-500-105 | - | Reporter OEM Connector Kit |
| 3 | ELE-000-508 | Launch | 2-Position Switch Panel Assembly |
| 4 | SME-000-508 | Launch | 2-Position Switch Panel (44mm x 22mm Cut-outs) |
| 5 | ELX-283-283 | Launch | 4 Terminal 12V LED Rocker Switch (44mm x 22mm Cutout) |
| 6 | PLE-070-401 | Launch | Tank, 3qt. Expansion Assembly |
| 7 | PLE-000-200 | Launch | Gates Safety Stripe Expansion Tank Hose Kit |
| 8 | PLX-CTB-250 | Launch | Clamp, Hose, Constant Tension, ²³ / ₃₂ in. |



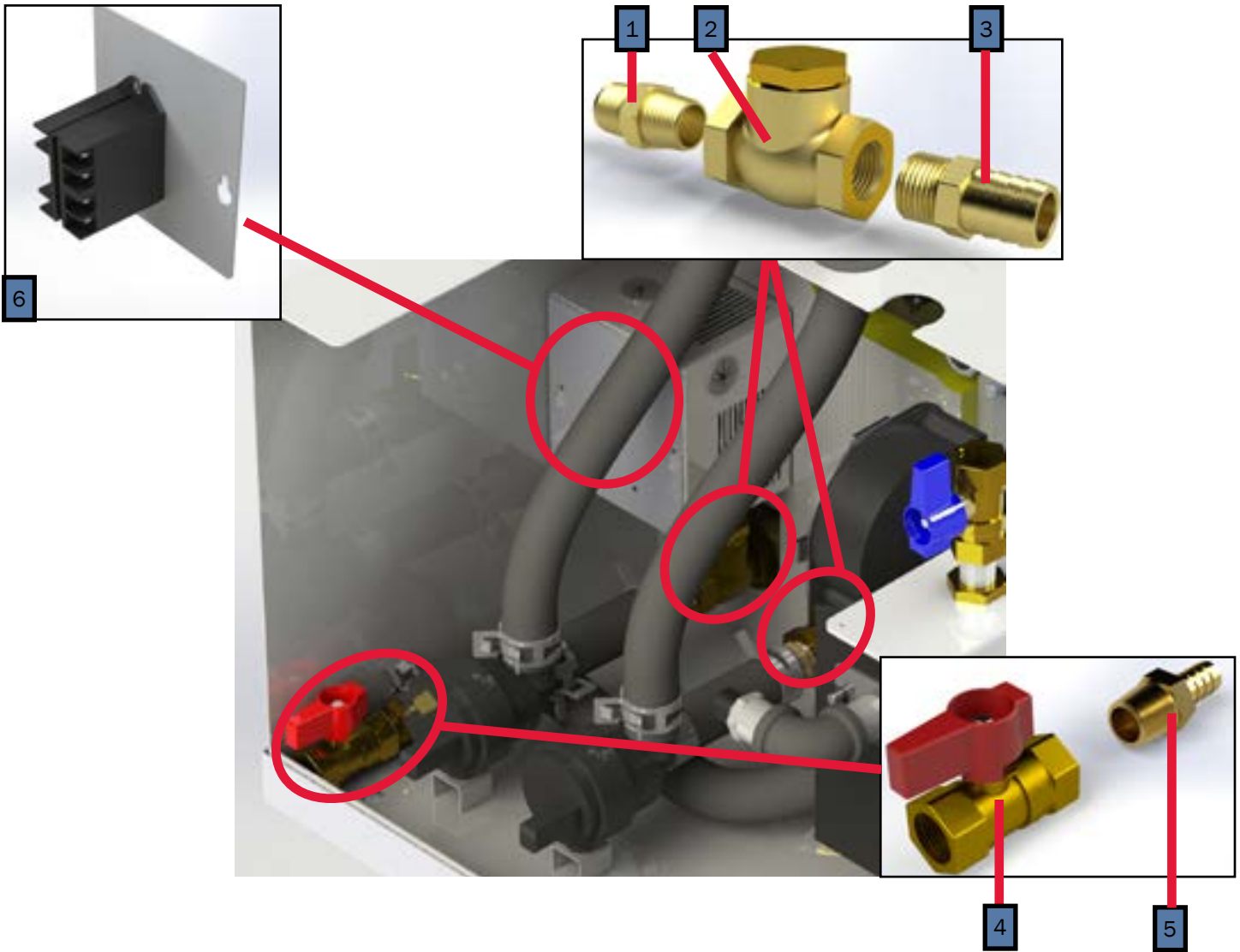
| Key | Part Number | Date of Use | Description |
|-----|-----------------------------|-------------|--------------------------------------|
| 1 | HDX-000-623 | Launch | Clamp, Romex, ½ in. Plastic |
| 2 | PLX-CTB-270 | Launch | Clamp, Hose, Constant Tension, ¾ in. |
| 3 | PLX-000-433 | Launch | Hose, Heater, ¾ in. x 18 in. |
| 4 | PLE-007-000 | Launch | Valve, Air Assembly Comb, Coin/Key |
| 4A | PLE-007-065 | Launch | Valve, Air Comb, Coin/Key |
| 5 | PLX-375-050 | Launch | Valve, Gas Ball |
| 6 | SME-450-030 | Launch | Cover, Access, Main |
| 7 | SME-450-070 | Launch | Tray, Mounting Assembly |



| Key | Part Number | Beginning of Use | Description |
|-----|-----------------------------|------------------|--|
| 1 | PLX-100-900 | A400- | Buehler C21 Fluid Pump |
| 1A | PLX-100-836 | A400- | Fluid Pump Mounting Bracket |
| 2 | ELE-400-900 | Launch | Buehler C20 Pump Harness |
| 3 | HDX-000-623 | Launch | Clamp, Romex, ½ in. Plastic |
| 3A | PLE-100-902 | Launch | Buehler Pump Assembly with Harness & Terminals |
| 4 | ELX-000-050 | Launch | Switch, Interlock |
| 5 | ELE-400-100 | Launch | Harness, Wiring, Main 400P (not pictured) |

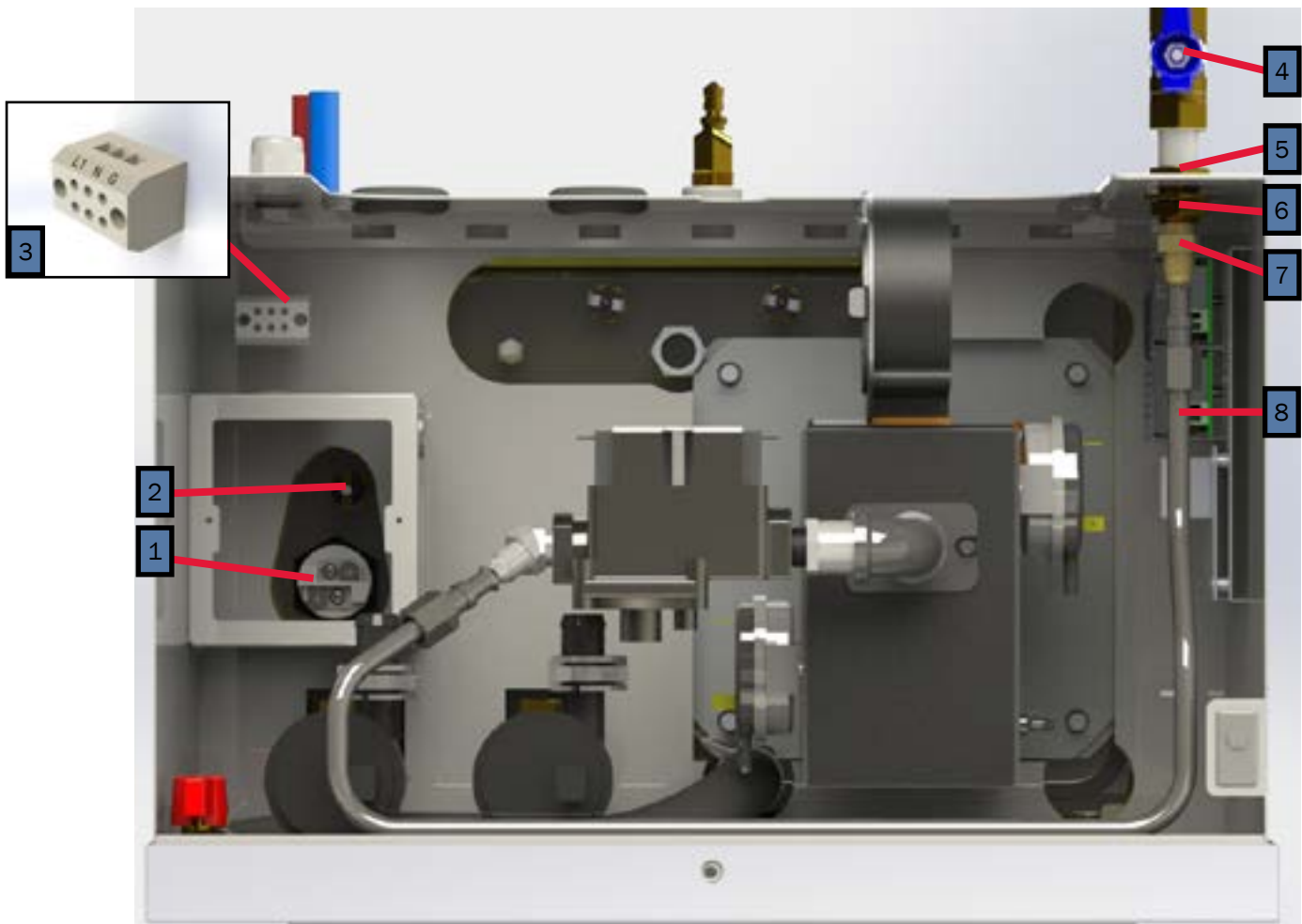


| Key | Part Number | Date of Use | Description |
|-----|-----------------------------|------------------------|--|
| 1 | ELE-800-006 | Launch | Fluid Level Sensor |
| 2 | ELE-HLT-425 | Launch | Thermostat, High-Limit 215 °F w/ Spade Connections |
| 3 | ELE-015-011 | Launch to A400P-190001 | Thermostat, Control ½" (M) NPT (Discontinued) |
| 4 | ELE-014-711 | A400P-190001 | Thermistor, Tank Temperature Sensor |



| Key | Part Number | Date of Use | Description |
|-----|-----------------------------|-------------|--|
| 1 | PLX-122-000 | Launch | Brass Close Nipple Fitting, 1/2" (M) NPT w/Hex |
| 2 | PLX-2A1-300 | Launch | Brass Check Valve, 1/2" (F) NPT |
| 3 | PLX-A65-200 | Launch | Brass Barb Fitting, 3/4" x 1/2" (M) NPT |
| 4 | PLX-BV1-200 | Launch | Ball Valve 1/2"(F) NPT |
| 5 | PLX-699-330 | Launch | Brass Barb Fitting 1/2" x 1/2" (M) NPT |
| 6 | ELX-630-001 | Launch | 30A 277V AC Relay w/ 12V DC Coil * |

* The AC Relay is mounted on the back of the AC Access Panel.

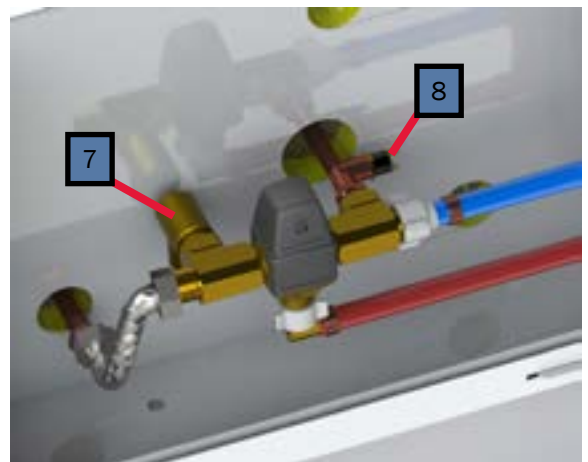
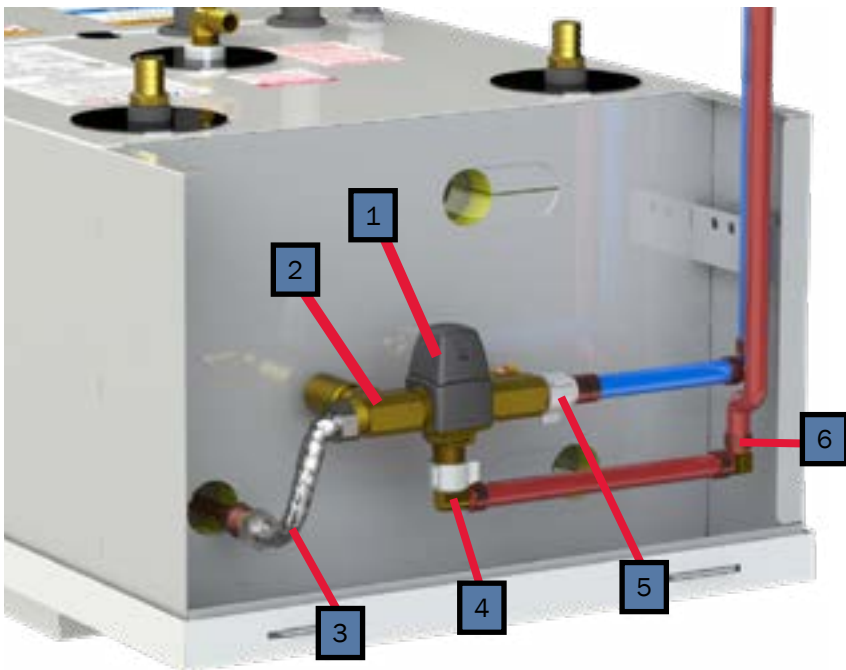


1

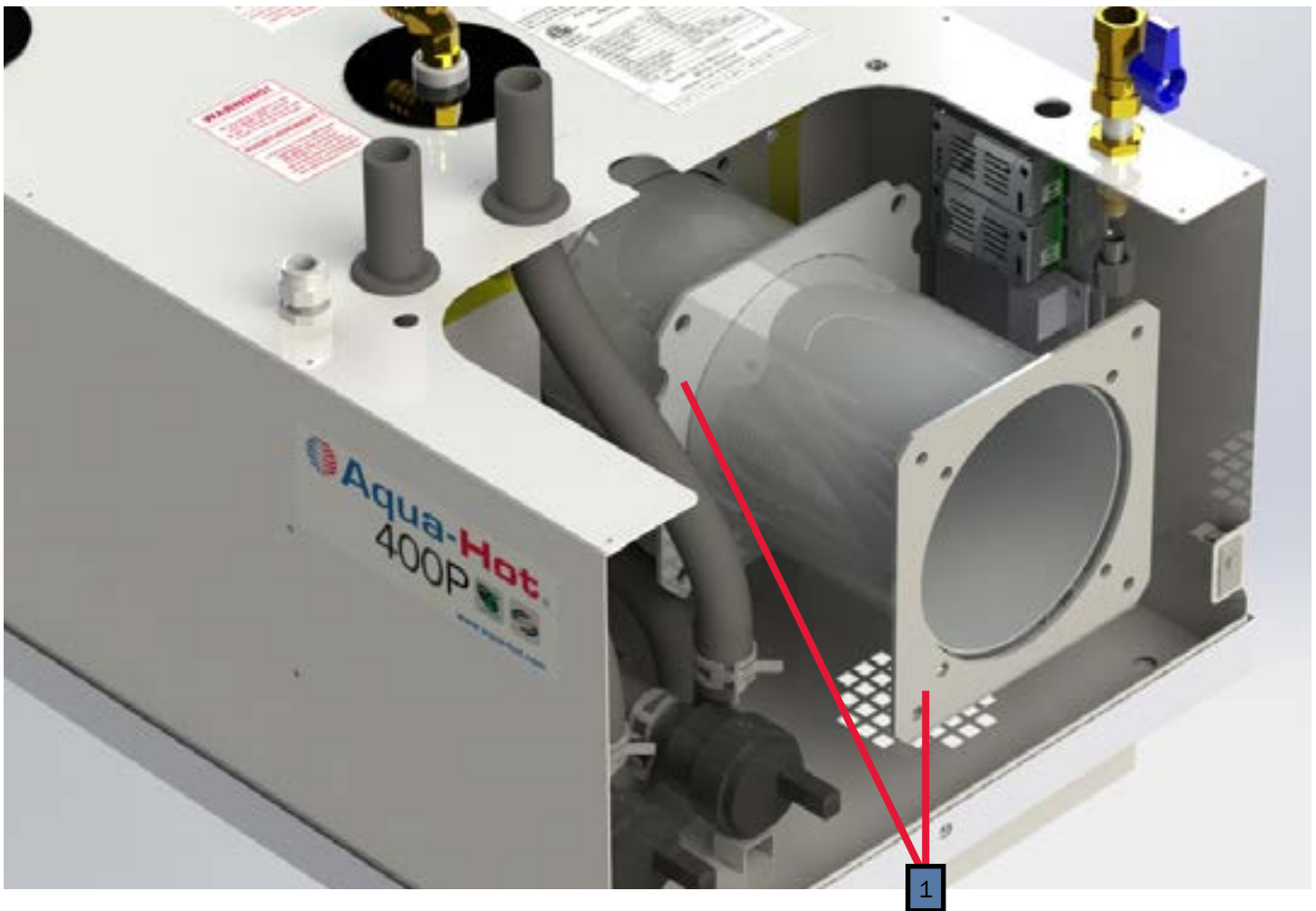


2

| Key | Part Number | Date of Use | Description |
|-----|-----------------------------|-------------|---|
| 1 | ELX-2E7-540 | Launch | Element, Electric Heating, 120VAC 1650W |
| 2 | ELE-HLT-426 | Launch | Thermostat, High-Limit VAC 215 °F |
| 3 | ELE-000-905 | Launch | Block, Terminal, 3-Position 22-8 AWG |
| 4 | PLX-375-050 | Launch | Valve, Gas, Ball |
| 5 | PLX-375-045 | Launch | Nipple, Close 3/8 in. NPT (M) Brass |
| 6 | PLX-105-800 | Launch | Fitting, Bulkhead, 1/4 in x 1/4 in. (F) NPT Brass |
| 7 | FLX-375-025 | Launch | Fitting, #6 (M) JIC x 3/8 in. (M) NPT Steel |
| 8 | FLE-400-001 | Launch | Line, Fuel 400P |

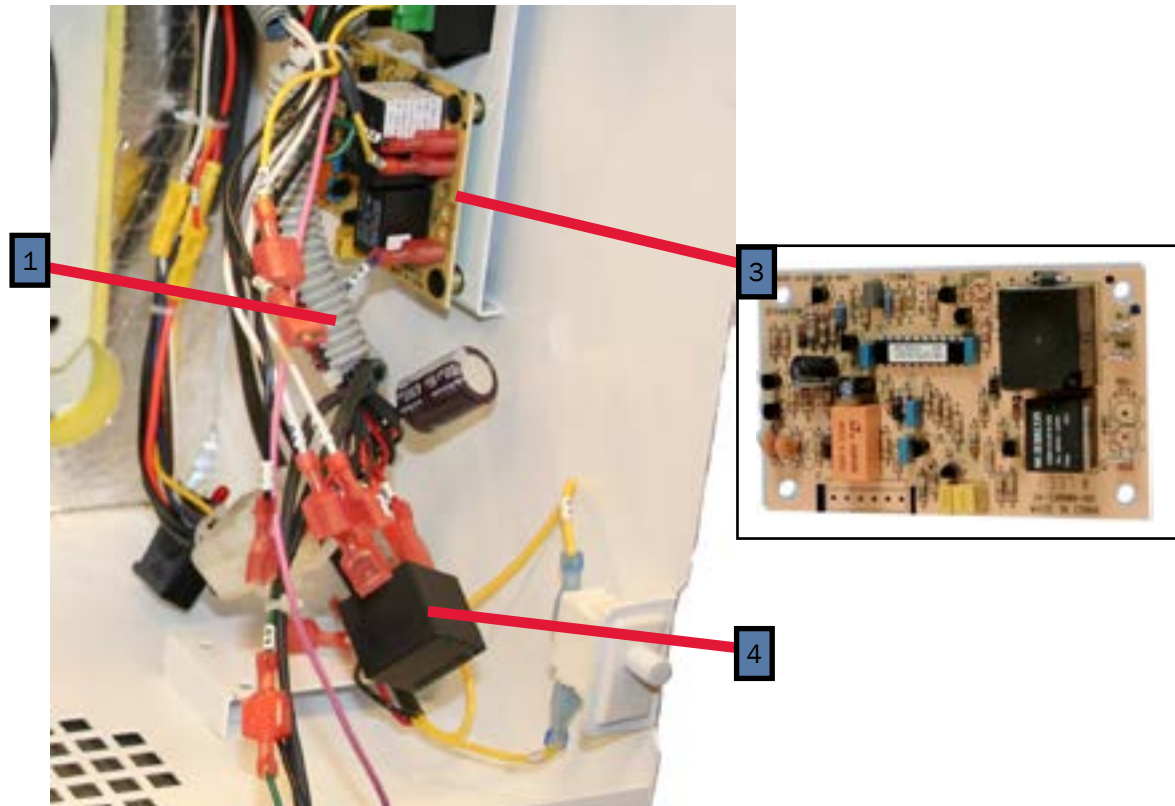
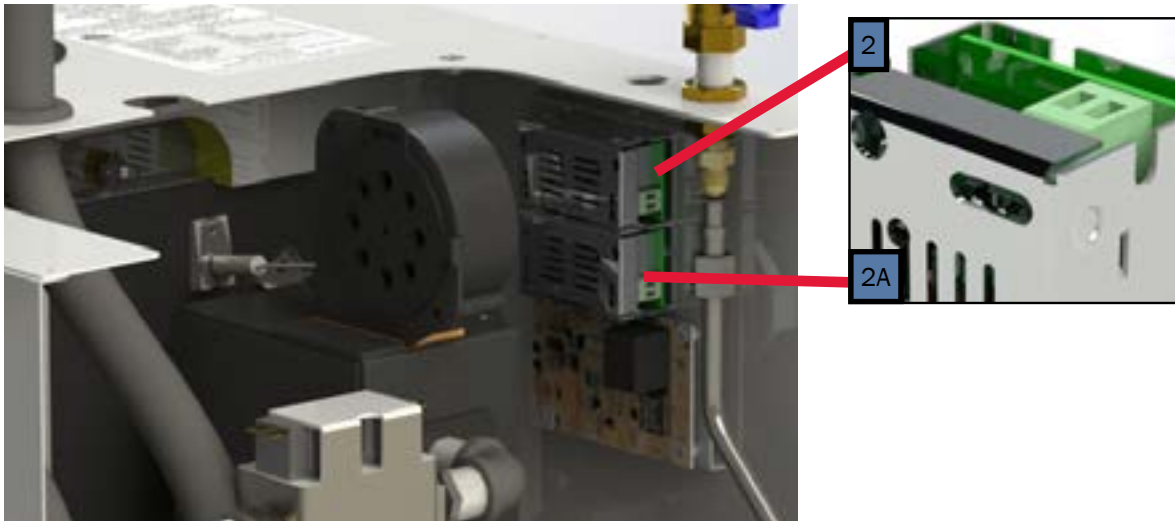


| Key | Part Number | Beginning of Use | Description |
|-----|-----------------------------|------------------|--|
| 1 | PLX-362-100 | - | Danfoss Tempering Valve |
| 1A | PLX-09P-100 | Launch | Honeywell Tempering Valve (Discontinued) |
| 2 | PLX-0X1-07D | Launch | Fitting, Tee, 1/2" NPT (M) (F) Brass |
| 3 | PLX-110-050 | Launch | Lead Free Stainless Steel Braided Faucet Connector |
| 4 | PLX-000-755 | Launch | Fitting, Elbow, Swivel 1/2" Barb x 1/2" NPT, Brass |
| 5 | PLX-000-730 | Launch | Fitting, Straight Swivel 1/2" Barb x 1/2" NPT |
| 6 | PLX-000-745 | Launch | Ring, Crimp, 1/2" |
| 7 | PLX-111-125 | Launch | Pressure Relief Valve |
| 8 | ELE-LTC-608 | Launch | Low-Temp Cutoff Thermostat |

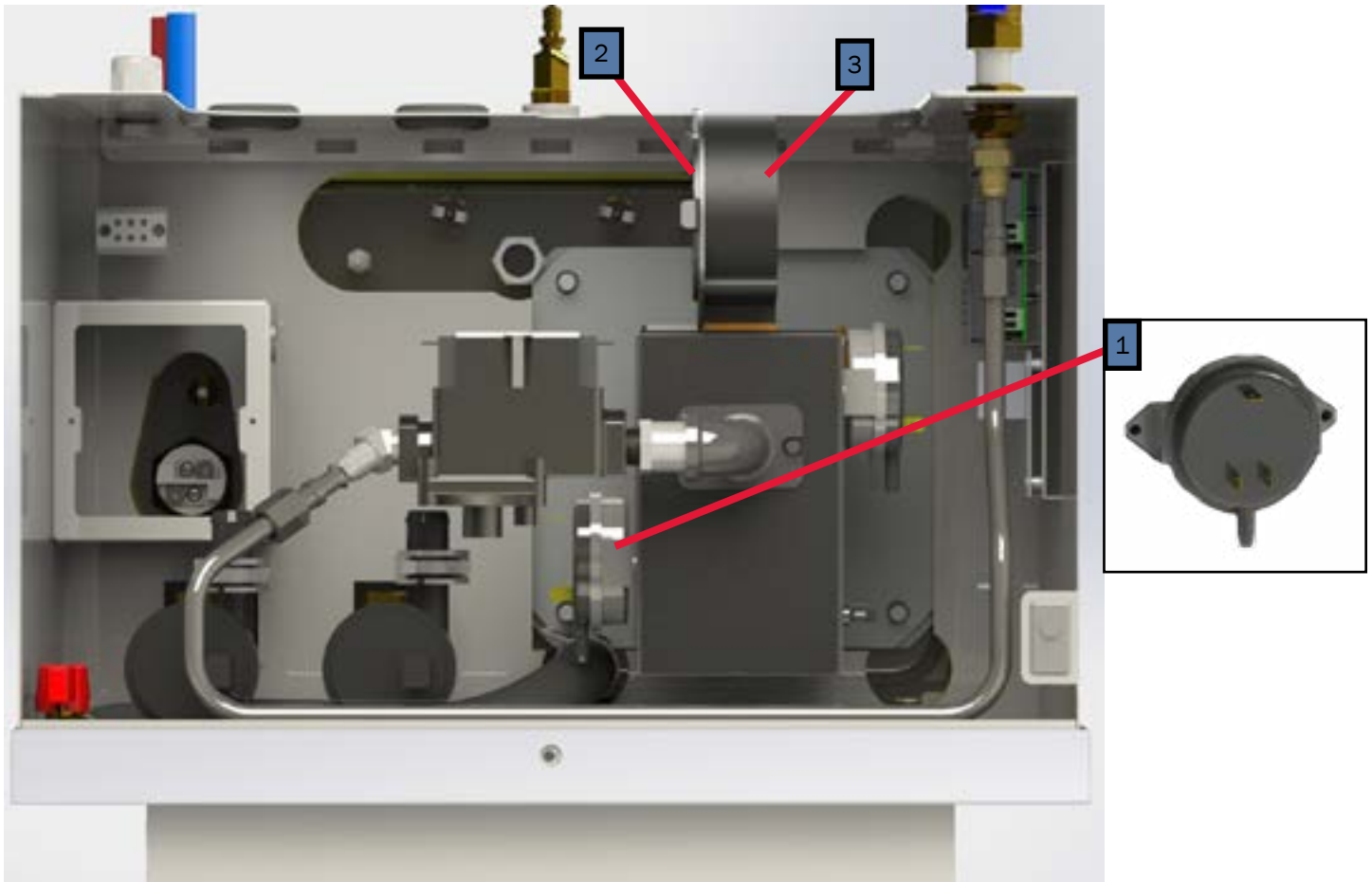


| Key | Part Number | Beginning of Use | Description |
|-----|-----------------------------|------------------|--------------------------------|
| 1 | HDE-700-205 | Launch | Combustion Chamber Tube Gasket |

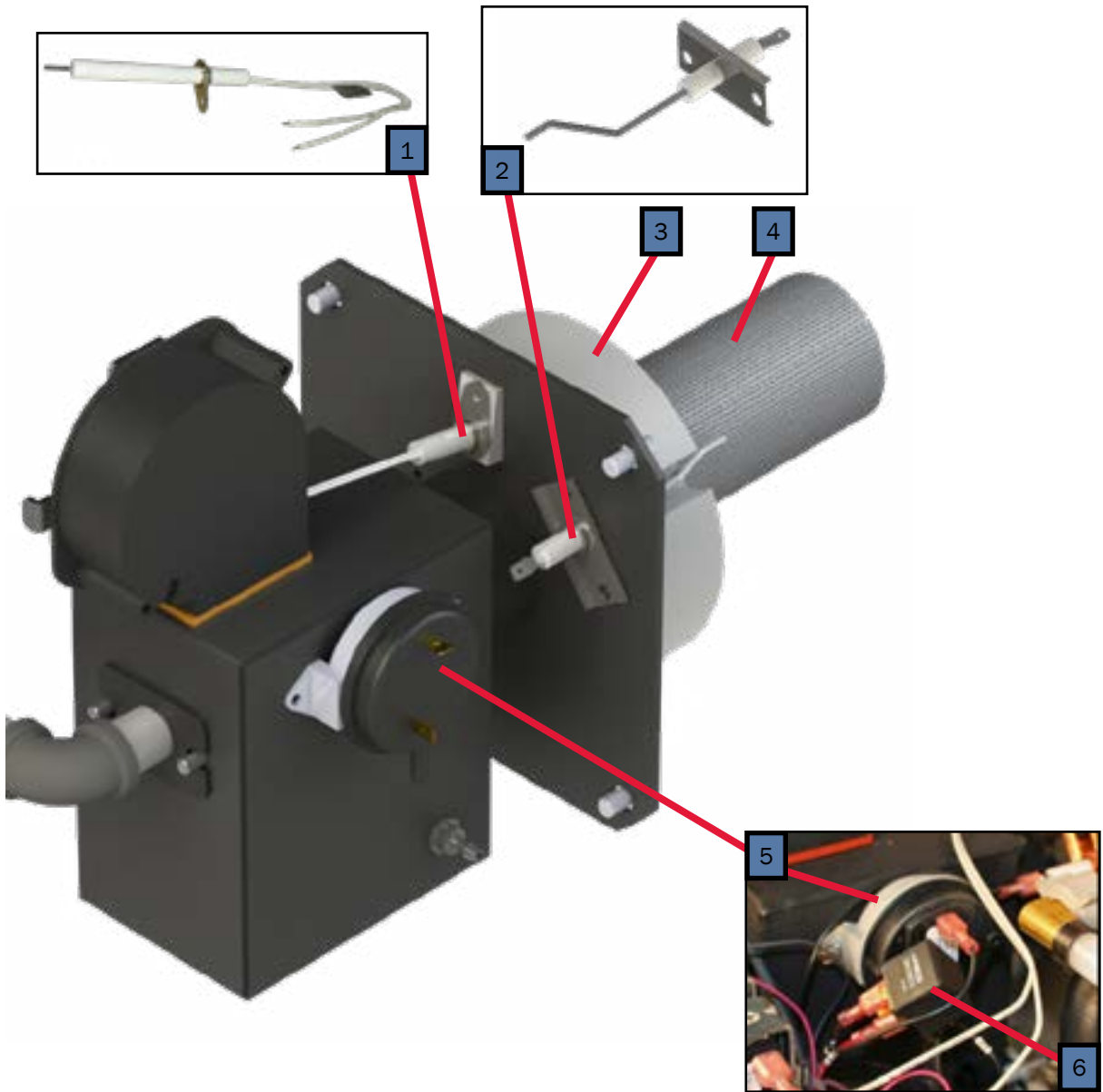
NOTE: The 400P model will require **TWO** Combustion Chamber Gaskets.



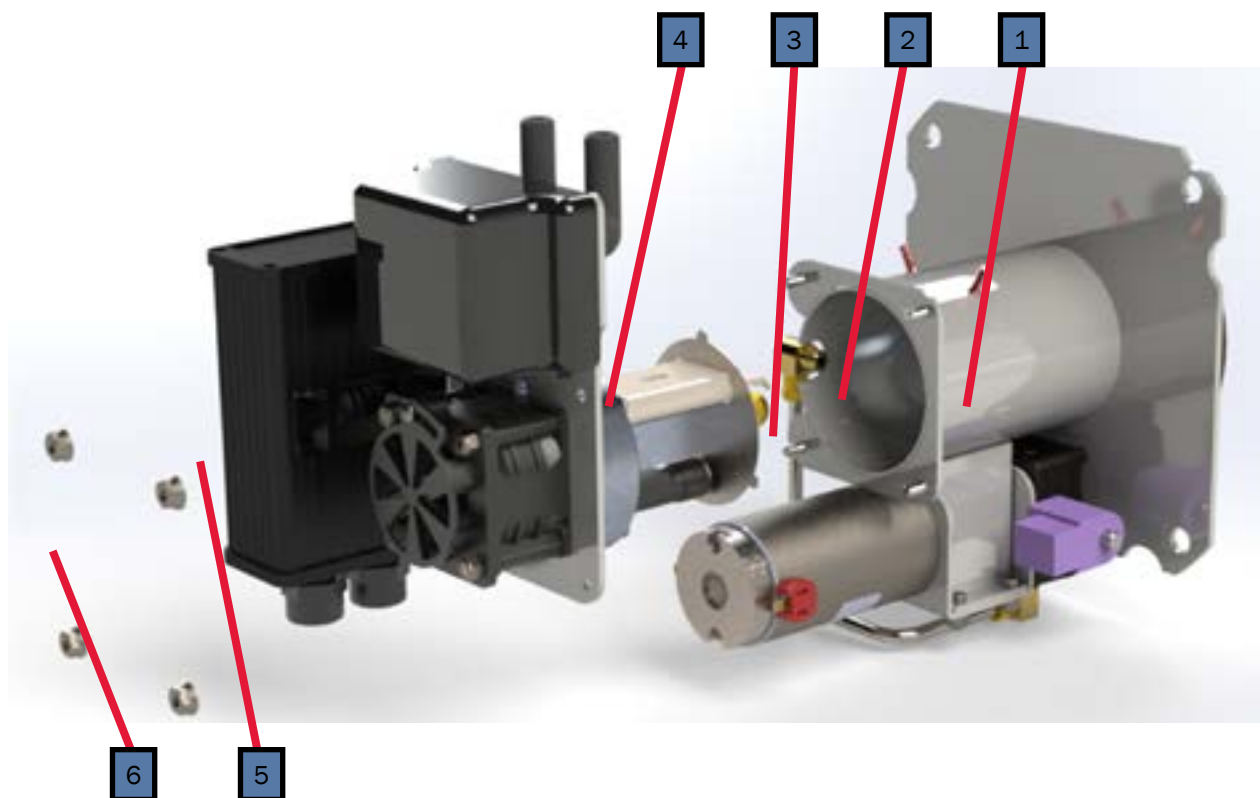
| Key | Part Number | Date of Use | Description |
|-----|-----------------------------|-------------|--|
| 1 | ELE-375-020 | Launch | Harness, Propane Burner |
| 2 | ELE-400-022 | | Buck Boost, Igniter (Top Placement) |
| 2A | ELE-400-021 | | Buck Boost, Fan (Bottom Placement) |
| 2B | ELE-400-025 | | Buck Boost Card Replacement Kit (not pictured) |
| 3 | ELX-375-025 | Launch | Card, Burner Controller |
| 4 | ELX-375-040 | Launch | Relay, Automotive, 40A SPDT |



| Key | Part Number | Date of Use | Description |
|-----|---------------------------------|-------------|------------------------------------|
| 1 | ELX-375-035 | Launch | Switch, Pressure 376 WC |
| 2 | SME-375-025 | Launch | Shutter, Air Intake |
| 3 | ELX-375-020-FRU | Launch | Blower, Combustion Replacement Kit |



| Key | Part Number | Date of Use | Description |
|-----|-----------------------------|-------------|---|
| 1 | ELX-375-030 | Launch | Igniter, Flame |
| 2 | ELX-375-015 | Launch | Sensor, Flame |
| 3 | MSE-375-015 | Launch | Insulation, Refractory |
| 4 | PBE-375-015 | Launch | Tube, Mixing |
| 5 | ELX-375-010 | Launch | Switch, Pressure 15 WC (Fan Validation) |
| 6 | ELX-375-040 | Launch | Relay, Automotive 40A SPDT |



| Key | Part Number | Date of Use | Description |
|-----|-----------------------------|-------------|---|
| 1 | PLX-375-030 | Launch | Elbow, ½ in. (F) NPT |
| 2 | PLX-375-035 | Launch | Bushing, ½ in. (M) NPT x ⅜ in. (F) NPT |
| 3 | PLX-375-045 | Launch | Nipple, Close, ⅜ in. (M) NPT, Brass |
| 4 | PLX-375-010 | Launch | Valve, Dual Gas |
| 5 | FLX-375-020 | Launch | Fitting #6 (M) JIC x ⅜ in. (M) NPT 45°, Steel |
| 6 | FLE-400-001 | Launch | Line, Fuel 400P |



1



2



3



4



5



6

| Key | Part Number | Date of Use | Description |
|-----|-----------------------------|-------------|--|
| 1 | MSX-300-275 | Launch | 1qt Boiler Antifreeze Concentrate |
| 2 | MSX-300-270 | Launch | 1gal. Pre-Diluted Boiler Antifreeze (Pink) |
| 3 | MSX-300-300 | Launch | 1 gal. Pre-Diluted Boiler Antifreeze (Green) |
| 4 | HDE-700-205 | Launch | Gasket, Combustion Chamber Tube |
| 5 | MSX-907-162 | Launch | Tester, Refractometer |
| 6 | SME-375-015 | Launch | Tip, Exhaust End |

PARTS MANUAL

400_{SERIES}

 **Aqua-Hot.**
An AIRXCEL Brand



Aqua-Hot Heating Systems, LLC
7501 Miller Drive, Frederick, CO 80504

Visit us online at www.aquahot.com
Call us at 574-AIR-XCEL (574-247-9235)

©2021 Aqua-Hot Heating Systems, LLC. Printed in the USA