



# Aqua-Hot®



## PARTS MANUAL

### Model Numbers:

AHE-100-03S - 12 VDC

AHE-120-03X - 12 VDC

AHE-130-03X - 12 VDC

(SN: 03-675 TO 04-533)



# Table Of Contents

---

## **Heater Overview**

---

Webasto Diesel Burner .....	Page 5-8
Heating Zone Plumbing.....	Page 9
Engine Preheat Plumbing.....	Page 10
Domestic Water Plumbing.....	Page 11
Electronic Controller and Switch Panel (AHE-100-03S ONLY). .....	Page 12
Electrical Components, Internal (AHE-100-03S ONLY) .....	Page 13
Electronic Controller and Switch Panel (AHE-130-03X & AHE-120-03X ONLY).....	Page 14
Electrical Components, Internal (AHE-130-03X & AHE-120-03X ONLY).....	Page 15

## **Misc. Parts**

---

Misc. Parts .....	Page 16
-------------------	---------

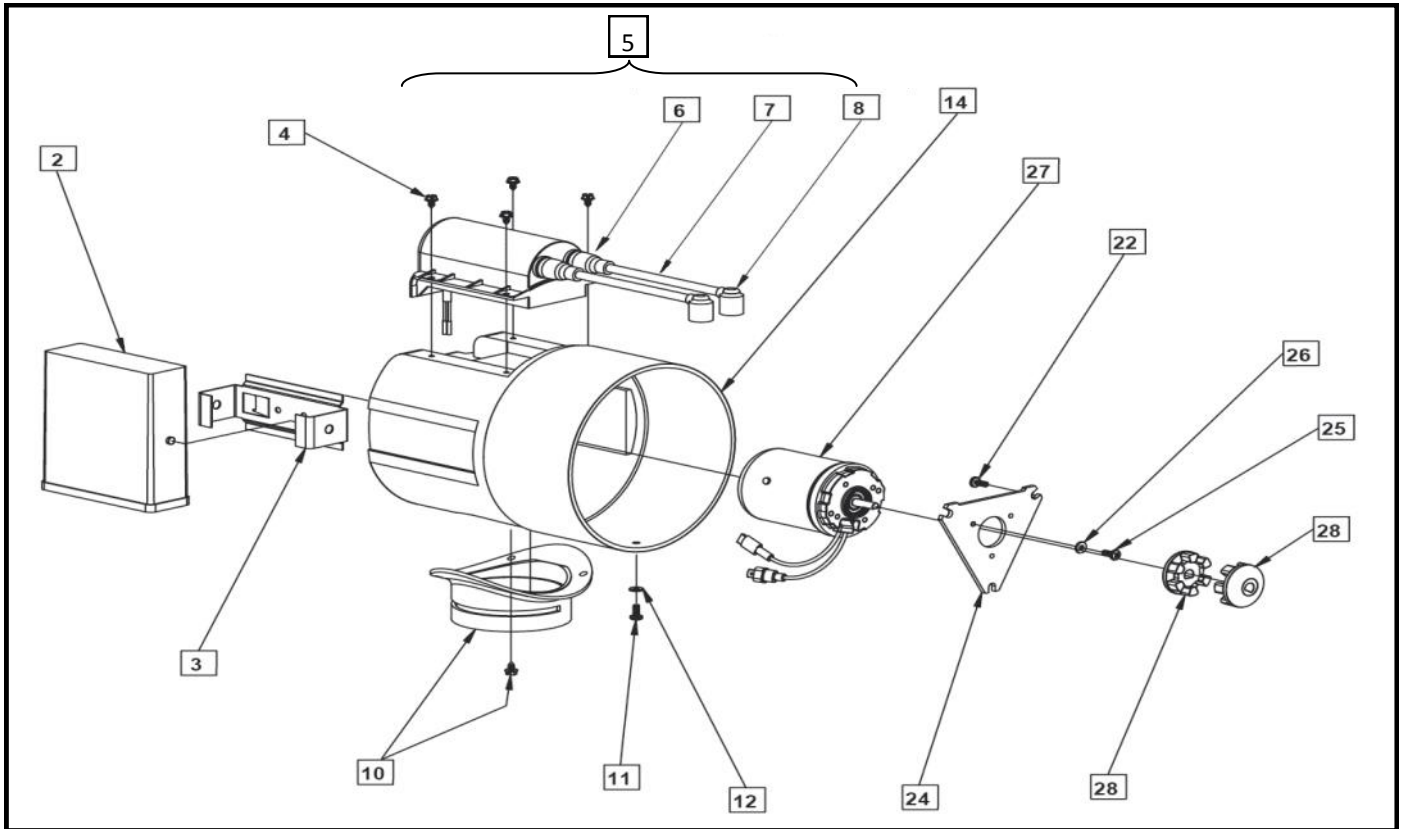
## **Tools**

---

Tools .....	Page 17
-------------	---------

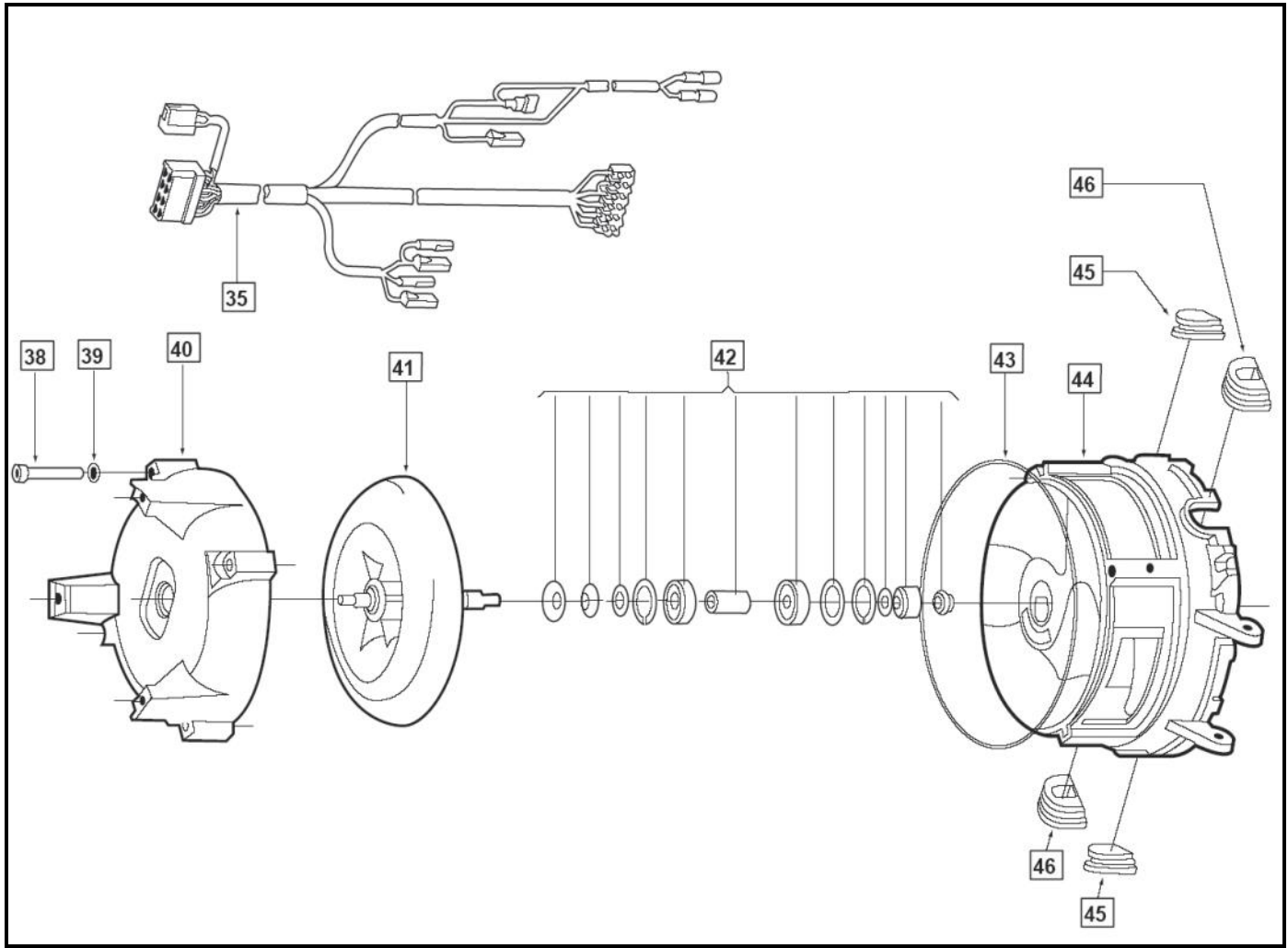


# WEBASTO DIESEL BURNER



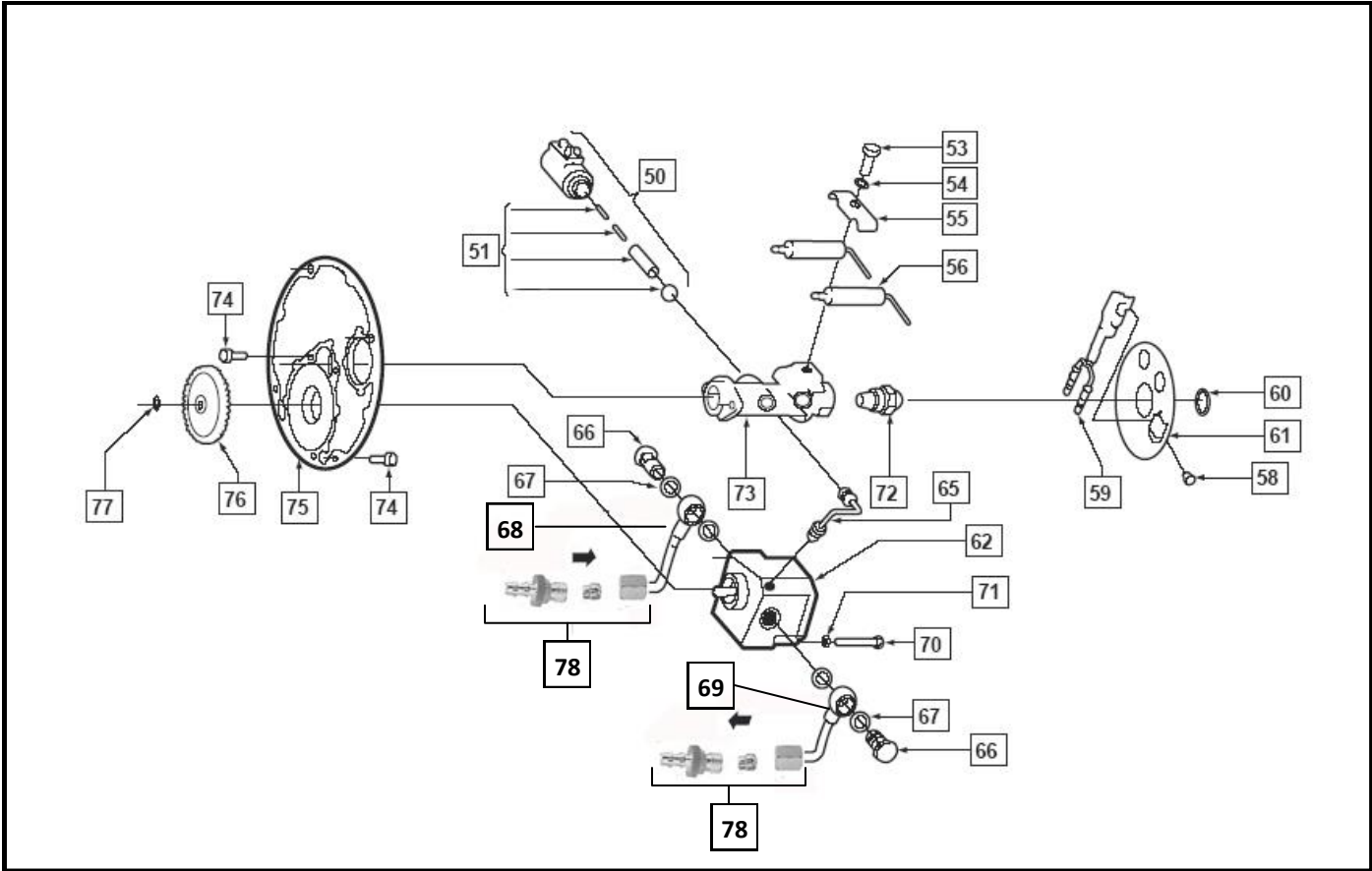
Key	Part Number	Description
2	WPX-287-962	Controller, Diesel Burner, 12 VDC
3	WPX-362-107	Bracket, Controller Mounting
4	WPX-470-562	Screw, Coil Mounting
5	WPX-101-838	Coil, Ignition, 12 VDC
6	WPX-404-918	Boot, Ignition Wire
7	WPX-178-624	Wire, Ignition
8	WPX-176-494	Boot, Ignition Wire, Elbow
10	WPX-350-427	Shutter, Combustion Air Intake
11	WPX-432-377	Screw, Protection Housing
12	WPX-152-269	Washer, Star, Protection Housing
14	WPX-436-216	Cap, Protection, Motor
22	WPX-147-834	Screw, Flange, Blower Housing
24	WPX-425-05A	Plate, Motor Mounting
25	WPX-432-377	Screw, Motor Plate
26	WPX-152-269	Washer, Star, Motor Plate
27	WPX-425-060	Motor, Combustion Air/Fuel Pump, 12 VDC
28	WPX-350-516	Clutch, Half, 6mm

# Webasto Diesel Burner



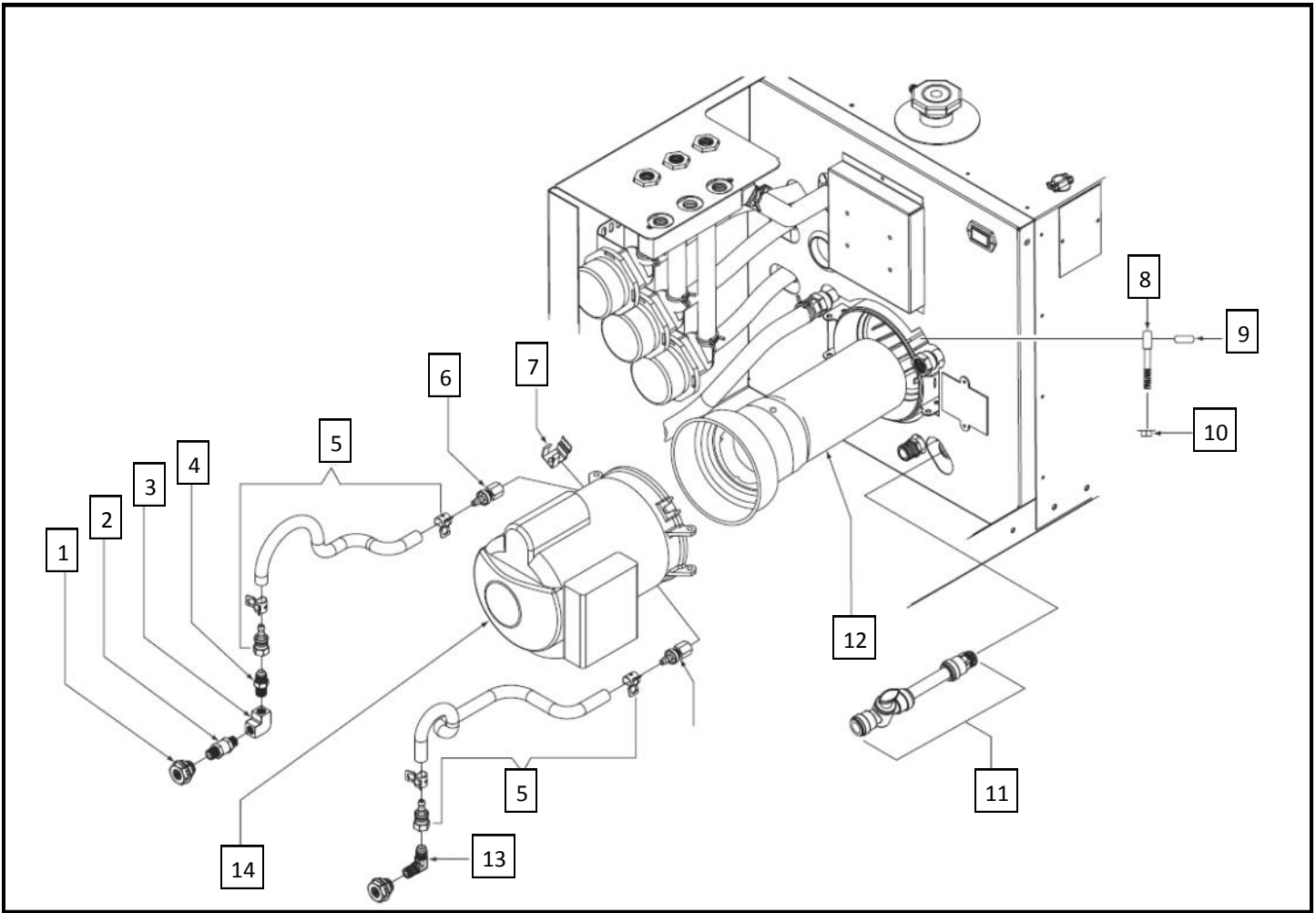
Key	Part Number	Description
35	WPX-434-795	Harness, C-Plug
38	WPX-148-210	Screw, Blower Casting
39	WPX-152-552	Washer, Lock, Blower Casting
40	WPX-301-841	Housing, Blower
41	WPX-373-001	Blower, Wheel, w/Shaft
42	WPX-378-313	Bearing Kit
43	WPX-412-244	O-Ring, Blower Casting
44	WPX-225-67A	Casting, Blower
45	WPX-298-964	Grommet, Blower Casting, Left
46	WPX-299-995	Grommet, Blower Casting, Right

# Webasto Diesel Burner



Key	Part Number	Description
50	WPX-322-083	Valve, Fuel Solenoid, 12 VDC
51	WPX-386-650	Valve, Fuel Solenoid, Kit
53	WPX-267-279	Bolt, Electrode
54	WPX-152-560	Washer, Lock, Electrode
55	WPX-278-971	Clamp, Electrode
56	WPX-274-313	Electrode, Ignition
58	WPX-147-699	Screw, Flame Sensor
59	WPX-638-78A	Sensor, Flame
60	WPX-453-048	Clip, Retaining, Photo Disc
61	WPX-887-71A	Disc, Photo
62	WPX-503-03A	Pump, Fuel, Kit
65	WPX-665-49A	Tube, Fuel, High Pressure
66	WPX-150-754	Bolt, Banjo
67	WPX-151-157	Gasket, Ring, Copper
68	WPX-661-002	Pipe, Fuel, Banjo, Supply, DBW 2010 (w/Straight Tube)
69	WPX-661-001	Pipe, Fuel, Banjo, Return, DBW 2010 (w/Straight Tube)
70	WPX-277-282	Screw, Mounting, Fuel Pump
71	WPX-152-544	Washer, Lock, Fuel Pump
72	WPX-886-41A	Nozzle, Fuel, 0.35 GPH
73	WPX-412-198	Stand, Fuel Nozzle, Brass
74	WPX-277-150	Screw, Plate, Nozzle Stand
75	WPX-102-861	Plate, Manifold
76	WPX-371-289	Gear, Fuel Pump, Nylon
77	WPX-152-390	Snap, Ring, Gear
78	FLE-FUL-100	Fuel Kit, JIC, Male, w/Nut & Ring, Complete

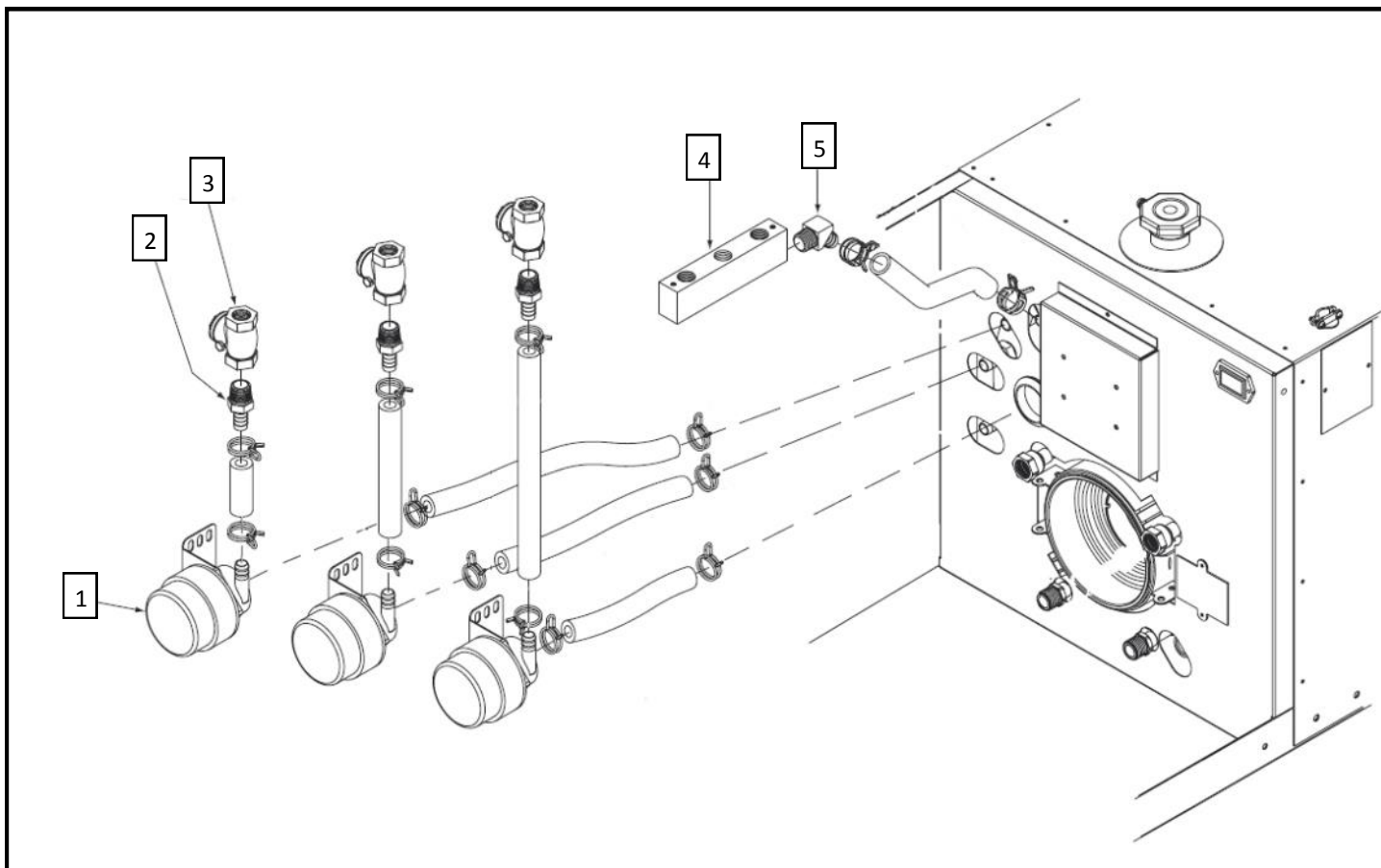
# Webasto Diesel Burner



Key	Part Number	Description
1	PLX-105-800	Fitting, Bulkhead, 3/4 (M) NPST x 1/4 in (F) NPT, Brass
2	FLX-751-CVL	Valve, Check, Fuel 1/4 in (M) NPT
3	FLX-FL1-022	Fitting, Elbow, 1/4 in (F) NPT
4	FLX-038-204	Fitting #6 (M) JIC x 1/4 in (M) NPT
5	FLE-FUL-200	Hose, Fuel, Supply/Return Kit w/Clamps
6	FLE-FUL-100	Fitting, Fuel Line, Hose Barb x Compression
7	WPX-310-646	Gauge, Adjustment, Electrode
8	WPX-461-555	Bolt, Eye
9	WPX-420-565	Pin, Eye Bolt
10	WPX-363-618	Nut, Eye Bolt
11	PLE-688-002-FRU	Valve, Ball Assembly
12	WPX-265-53A	Chamber, Combustion
13	FLX-131-280	Fitting, Elbow, #6 (M) JIC x 1/4 in (M) NPT
14	WPE-905-834	Burner, Diesel, 12 VDC

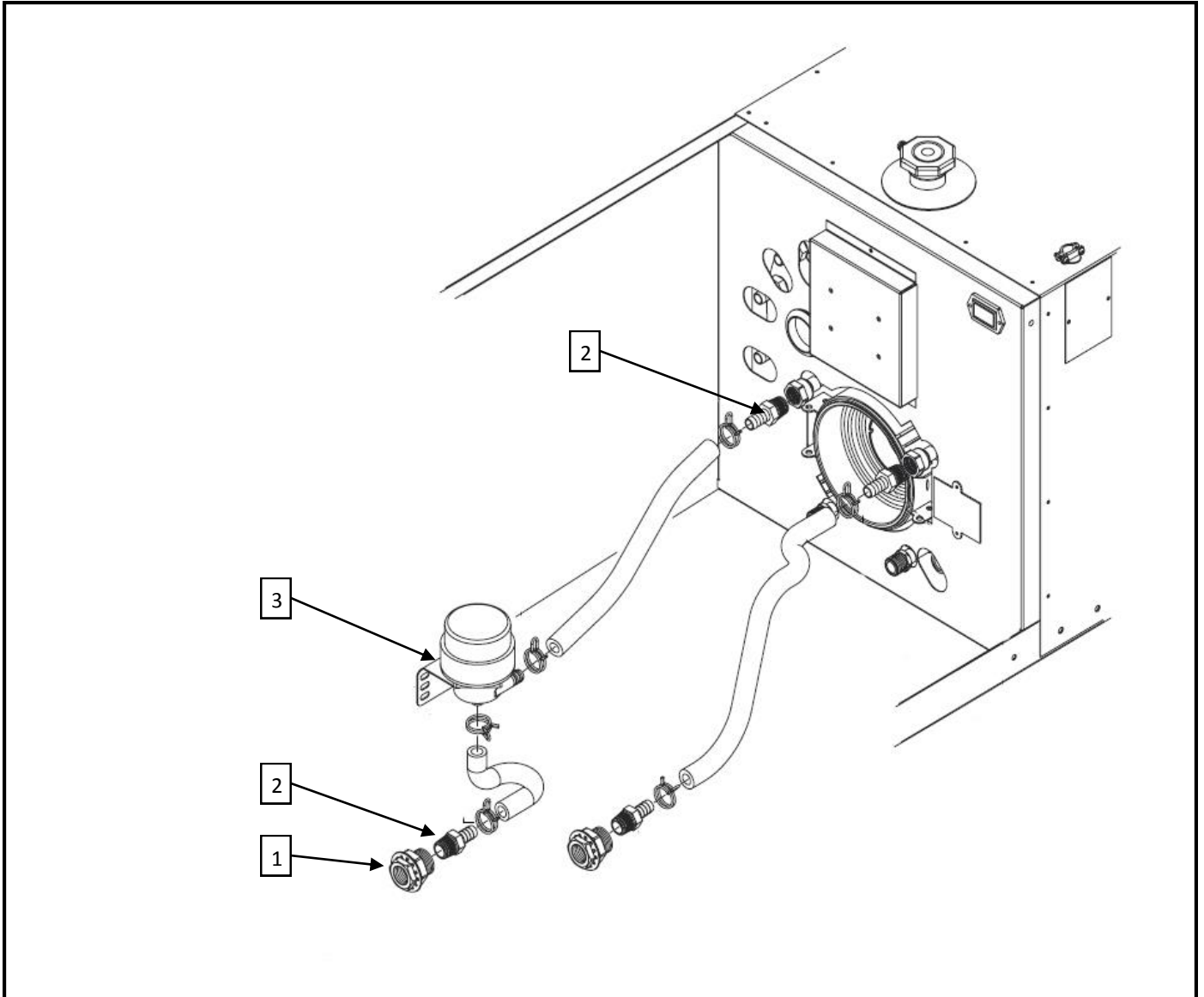


## Heating Zone Plumbing



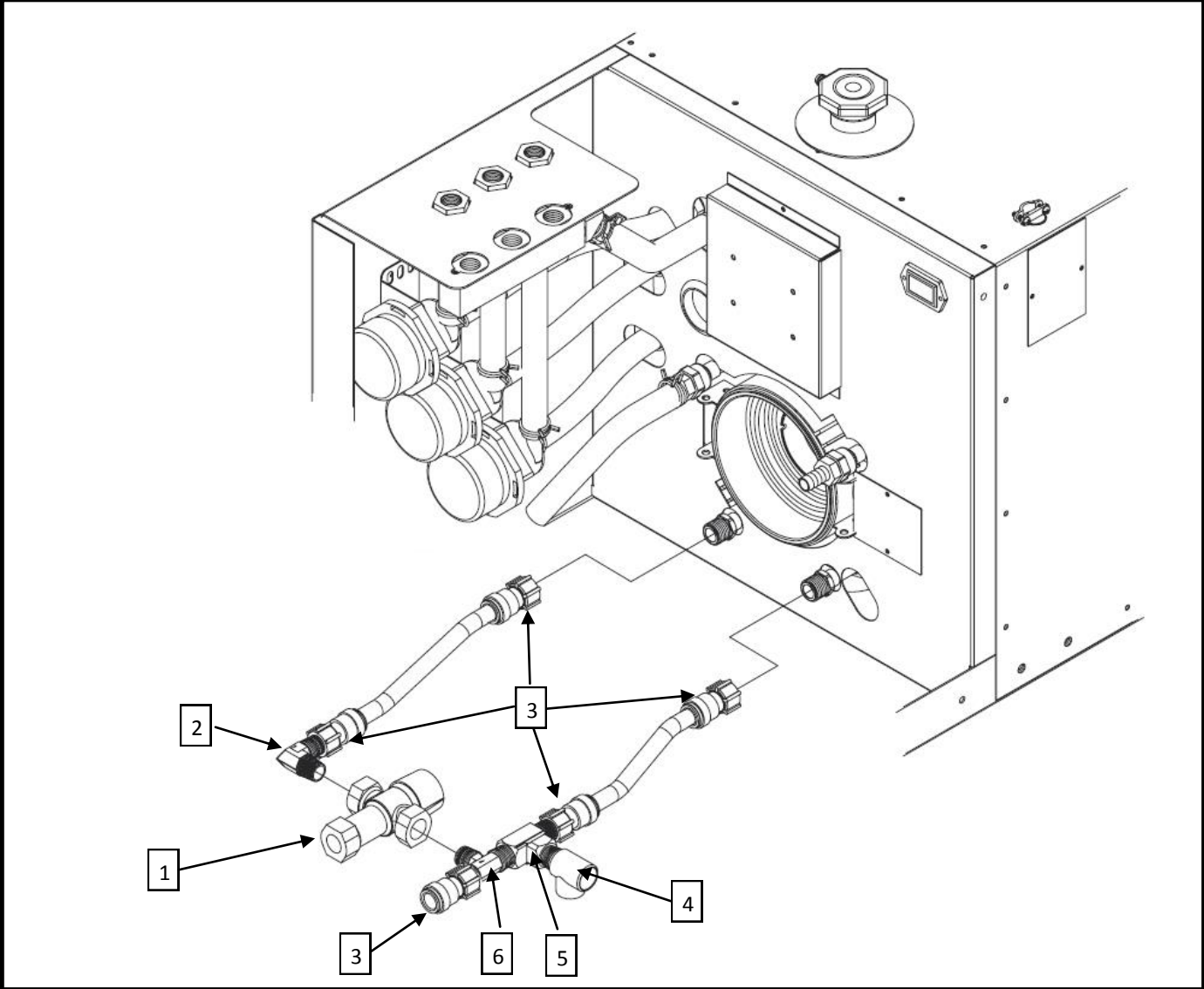
Key	Part Number	Description
1	PLE-100-811	Pump, Circulation, Kit
2	PLX-699-330	Fitting, 1/2 in Hose Barb x 1/2 in (M) NPT
3	PLX-2A1-300	Valve, Check, 1/2 in (F) NPT
4	PLE-100-500	Manifold, Zone Return
5	PLX-A65-800	Fitting, Elbow 45°, 3/4 in Hose Barb x 1/2 in (M) NPT

# Engine Preheat Plumbing



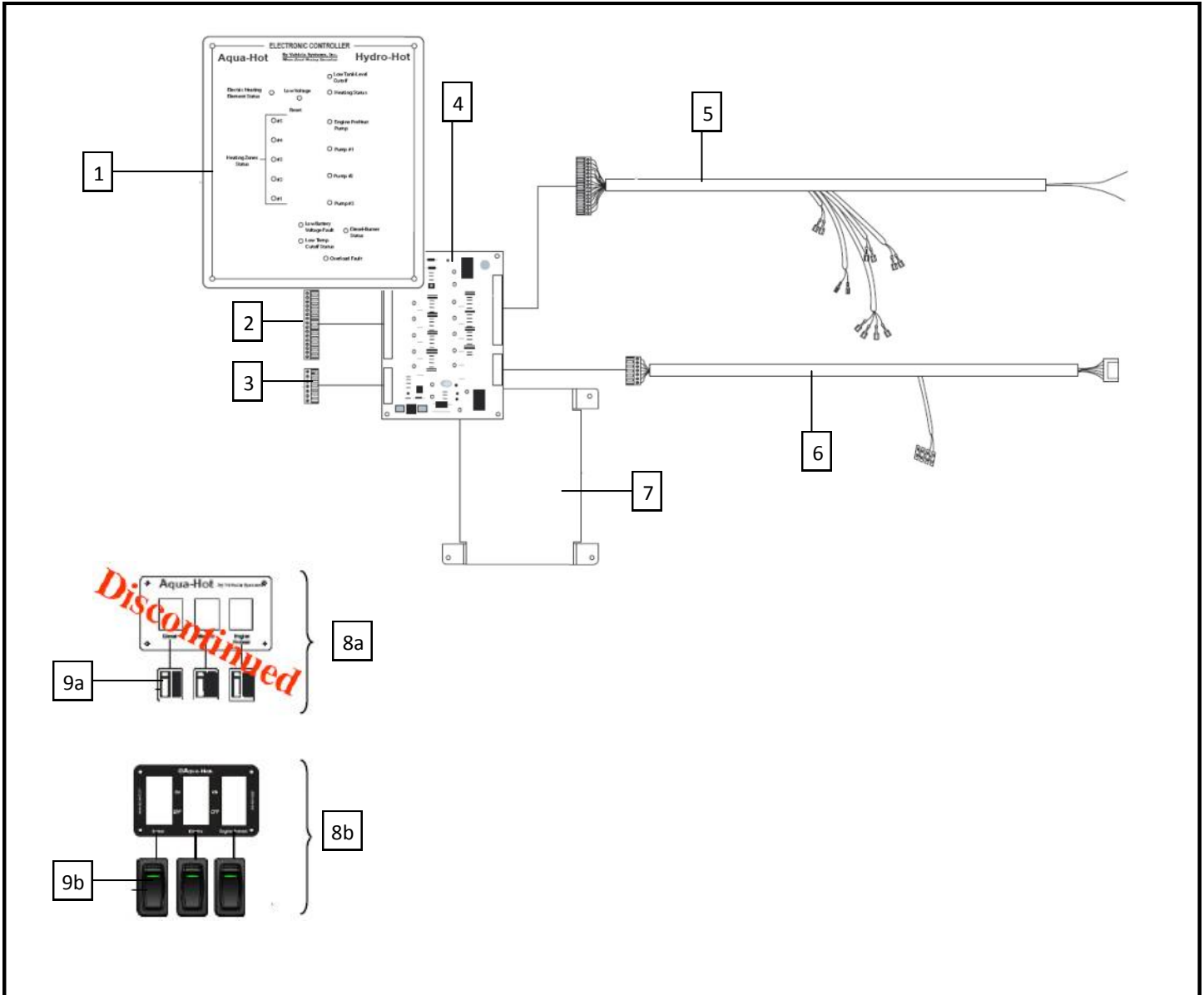
Key	Part Number	Description
1	PLX-105-810	Fitting, Bulkhead, 3/4 in (M) NPST x 1/2 in (F) NPT
2	PLX-699-330	Fitting, 1/2 in Hose Barb x 1/2 in (M) NPT
3	PLE-100-811	Pump, Circulation, Kit

# Domestic Water Plumbing



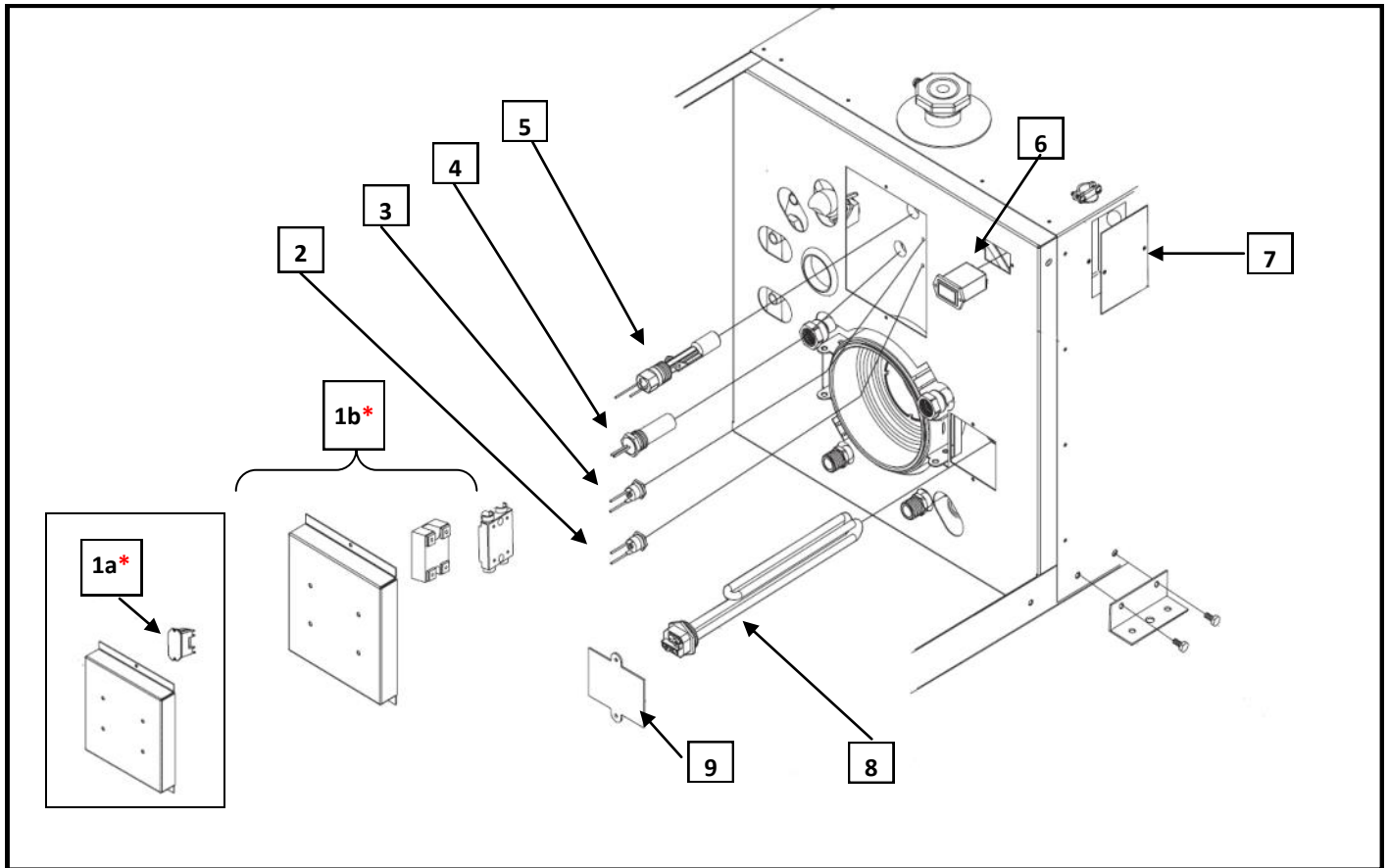
Key	Part Number	Description
1	PLX-09P-100	Valve, Tempering
2	PLX-99D-90A	Fitting, 90°, Elbow, Brass, 1/2" M, NPT
3	PLX-803-000	Fitting, Straight 1/2 Pex x 1/2 (F) NPT PSF
4	PLX-111-123	Valve, Pressure Relief
5	PLX-0X1-07D	Fitting, tee, 1/2" NPT, Brass, Male, Female
6	PLX-M10-1DA	Fitting, Tee, Forged, 1/2" Male NPT

# Electronic Controller and Switch Panel (AHE-100-03S Only)



Key	Part Number	Description
1	SME-200-501	Faceplate, Electronic Controller, Assembly, Enclosure
2	ELX-312-491	Plug, Electronic Controller, 20-Position
3	ELX-312-499	Plug, Electronic Controller, 8-Position
4	ELE-PC4-010-AA	Controller, Electronic w/Time Delay, 12 VDC
5	ELE-100-453	Harness, Control
6	ELE-100-422	Harness, B-Plug
7	SME-EN4-008	Back, Electronic Controller, Enclosure
8a	ELE-000-507	Panel, Switch, Assembly, 12 VDC (Discontinued)
8b	ELE-000-509	Panel, Switch, Assembly, 12 VDC
9a	ELX-283-284	Switch, Rocker, w/LED (Discontinued)
9b	ELX-283-283	Switch, Rocker, w/LED

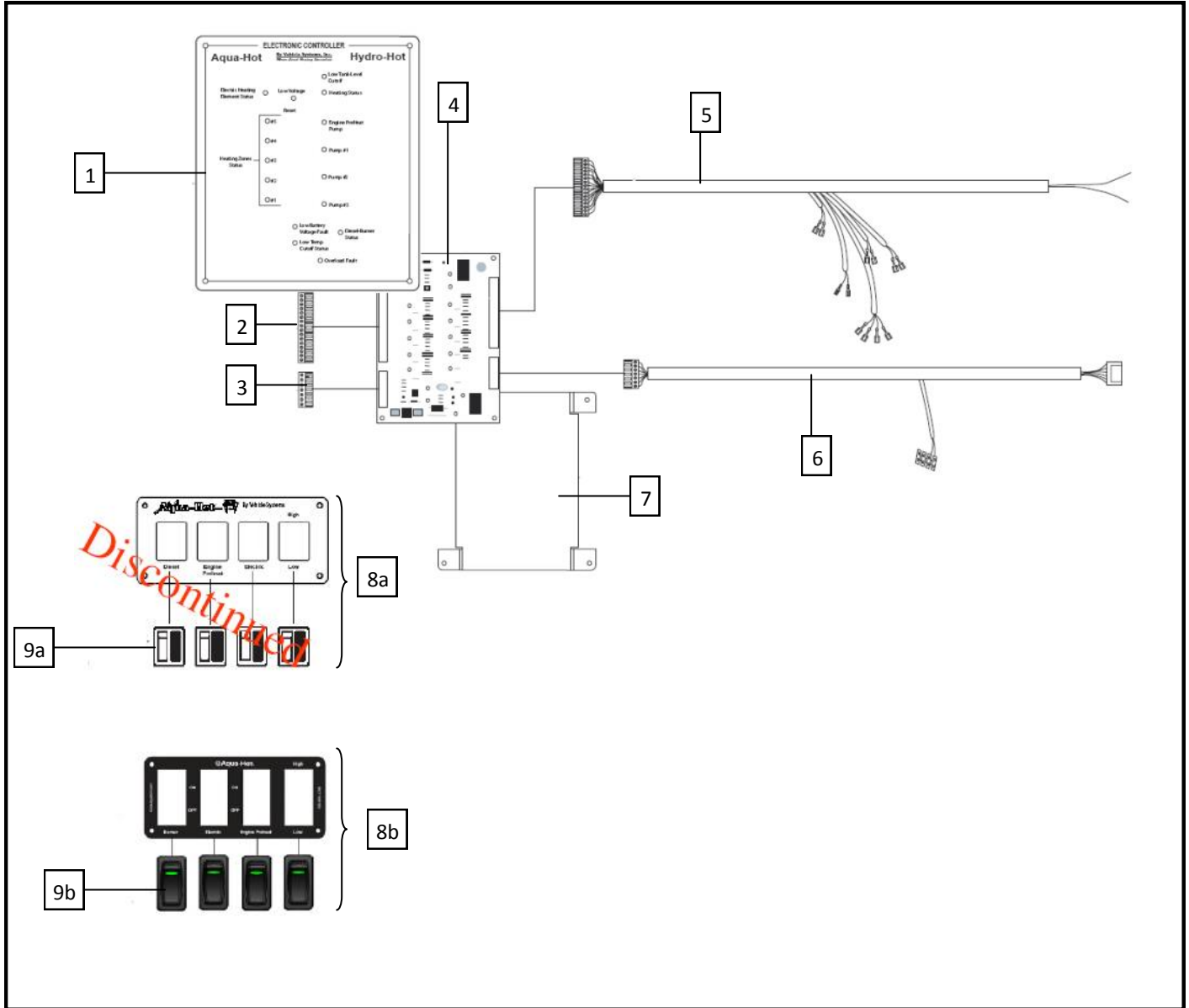
## Electrical Components, Internal (AHE-100-03S ONLY)



Key	Part Number	Description
1a	ELX-630-001	Relay, Electromechanical, 30 Amp
1b	ELE-630-001-FRU	Relay, Electromechanical Retrofit Kit
2	ELE-ASY-300-FRU	Thermostat, High-Limit, VAC, Kit, w/Connector
3	ELE-HLT-322	Thermostat, High-Limit, VDC
4	ELE-014-005	Thermostat, Control, 185°F, 1/2 (M) NPT
5	ELE-800-002	Switch, Float, Assembly
6	ELX-002-100	Meter, Hour, Quartz
7	SME-200-200	Cover, Access, Junction Box
8	ELX-2E7-540	Element, Heating, 120 VAC, 1650 Watts
9	SME-200-301	Cover, Access, Heating Element.

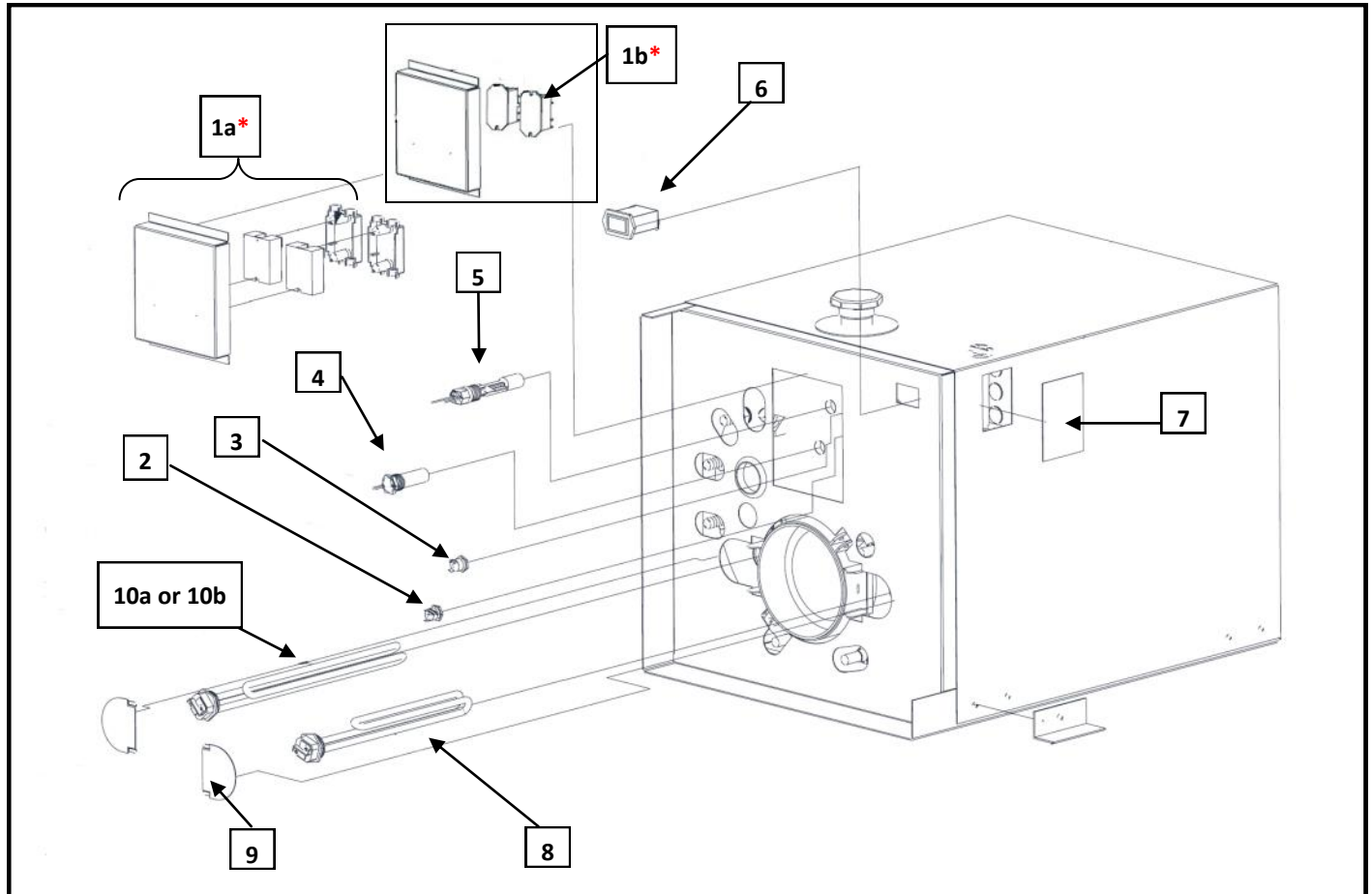
\* Originally a “white Solid State” relay was used for the Electric Element. If the heater has the original “White Solid State” relay, you must replace it with ELE-630-001-FRU. If the original “White Solid State” relay has already been replaced with the “Black Mechanical” relay, you may order just the Relay, ELX-630-001.

# Electronic Controller and Switch Panel (AHE-130-03X & AHE-120-03X ONLY)



Key	Part Number	Description
1	SME-200-501	Faceplate, Electronic Controller, Assembly, Enclosure
2	ELX-312-491	Plug, Electronic Controller, 20-Position
3	ELX-312-499	Plug, Electronic Controller, 8-Position
4	ELE-PC4-010-AA	Controller, Electronic w/Time Delay, 12 VDC
5	ELE-100-463	Harness, Control
6	ELE-100-422	Harness, B-Plug
7	SME-EN4-008	Back, Electronic Controller, Enclosure
8a	ELE-000-907	Panel, Switch, Assembly, 12 VDC (Discontinued)
8b	ELE-000-908	Panel, Switch, Assembly, 12 VDC
9a	ELX-283-284	Switch, Rocker, w/LED (Discontinued)
9b	ELX-283-283	Switch, Rocker, w/LED

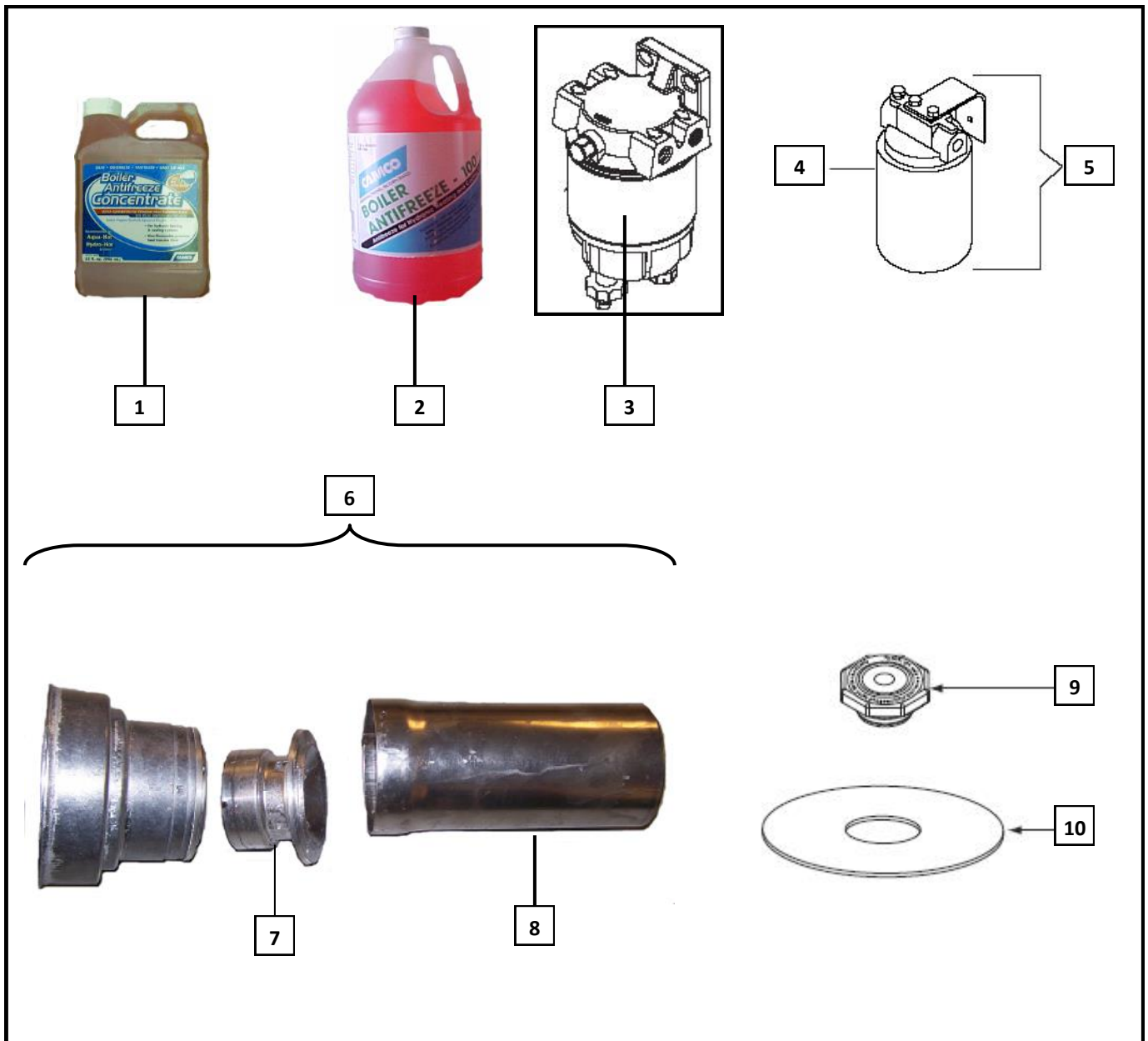
# Electrical Components, Internal (AHE-130-03X & AHE-120-03X ONLY)



Key	Part Number	Description
1a	ELE-630-000	Relay, Electromechanical Retrofit Kit
1b	ELE-630-001	Relay, Electromechanical, 30 amp
2	ELE-ASY-300-FRU	Thermostat, High-Limit, VAC, Kit, w/Connector
3	ELE-HLT-322	Thermostat, High-Limit, VDC
4	ELE-014-005	Thermostat, Control, 185°F, 1/2 (M) NPT
5	ELE-800-002	Switch, Float, Assembly
6	ELX-002-100	Meter, Hour, Quartz
7	SME-200-200	Cover, Access, Junction Box
8	ELX-G12-07L	Element, Heating, 120 VAC, 2000 Watts
9	SME-200-301	Cover, Access, Heating Element.
10a	ELX-G12-07L	Element, Heating 120 VAC, 2000 Watts (AHE-130-03X ONLY)
10b	ELX-2E7-600	Element, Heating 240 VAC, 4500 Watt (AHE-120-03X ONLY)

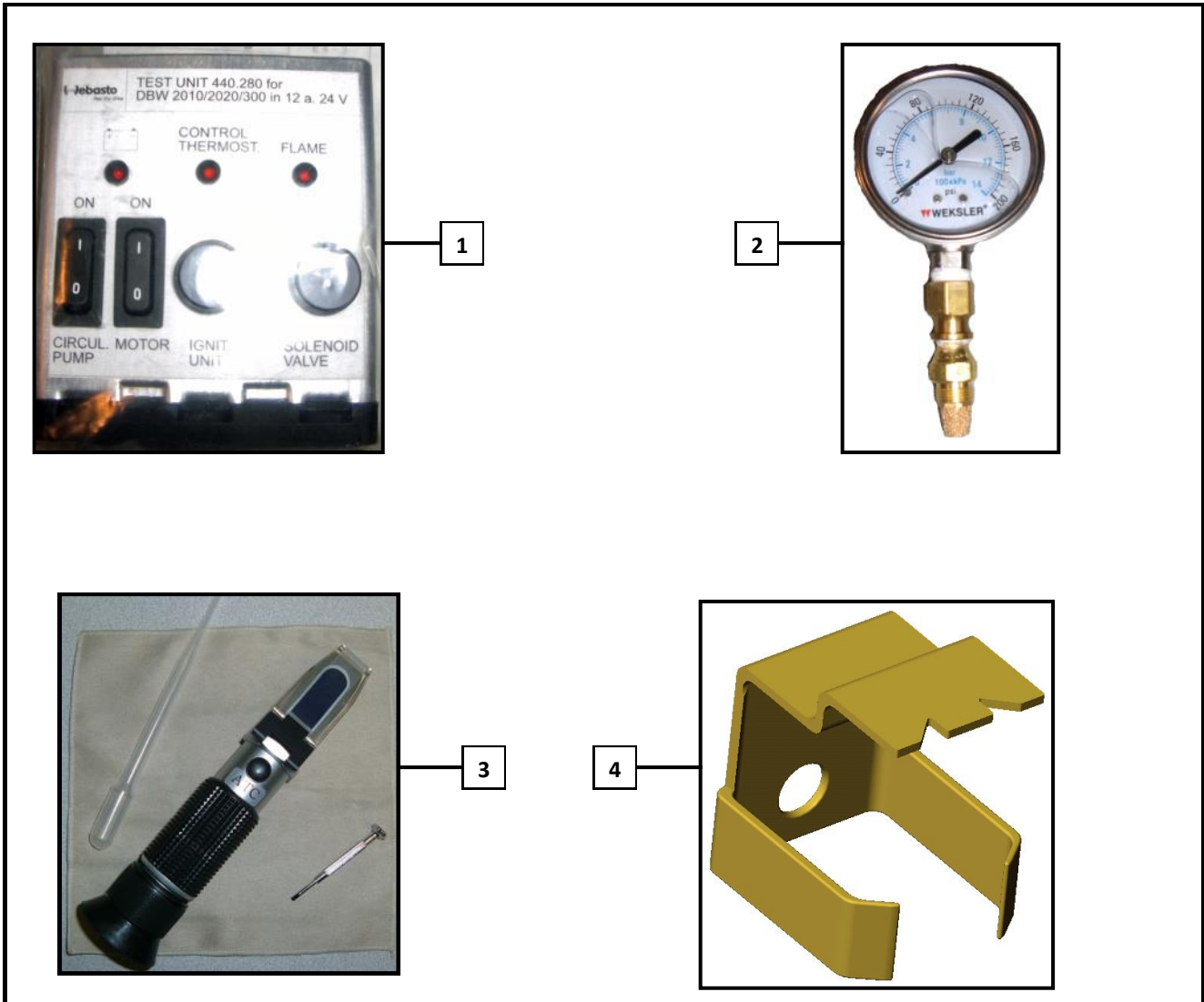
\* Originally a “white Solid State” relay was used for the Electric Element. If the heater has the original “White Solid State” relay, you must replace it with ELE-630-001-FRU. If the original “White Solid State” relay has already been replaced with the “Black Mechanical” relay, you may order just the Relay, ELX-630-001.

# Misc. Parts



Key	Part Number	Description
1	MSX-300-275	Antifreeze, Boiler, P.G., 1 qt, Concentrate, (Camco)
2	MSX-300-270	Antifreeze, Boiler, P.G., 1 Gallon (Camco)
3	FLX-R12-TRA	Filter, Fuel, Racor Spin-On, 10 Micron
4	FLE-120-100	Filter, Canister, Replacement, Garber
5	FLX-120-000	Filter, Fuel, Garber
6	WPX-265-53A	Combustion Chamber, DBW 2010
7	WPX-302-651	Air Swirler, DBW 2010
8	WPX-303-050	Tube, Combustion Chamber, DBW 2010
9	PLX-102-229	Cap, Radiator, 13 lb
10	PLE-GAS-FLL	Gasket, Rubber, Filler Neck





Key	Part Number	Description
1	WPX-440-280	Tester, Controller
2	WPE-600-190	Gauge, Fuel Pressure
3	MSX-907-162	Tester, Refractometer, Battery/Coolant
4	WPX-310-646	Gauge, Adjustment, Electrode







# PARTS MANUAL

## Model Numbers:

AHE-100-03S - 12 VDC

AHE-120-03X - 12 VDC

AHE-130-03X - 12 VDC

(SN: 03-675 TO 04-533)